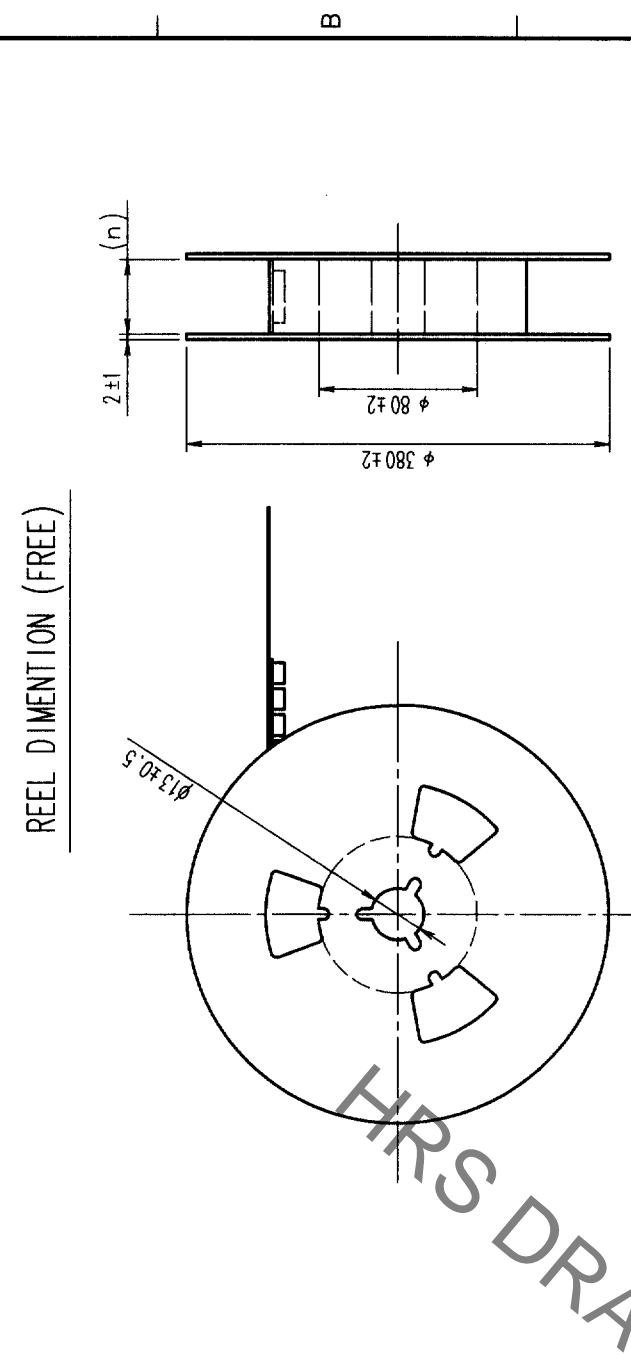


COUNT	DESCRIPTION OF REVISIONS	BY	CHKD	DATE	COUNT	DESCRIPTION OF REVISIONS	BY	CHKD	DATE
△					△				
△					△				
△					△				

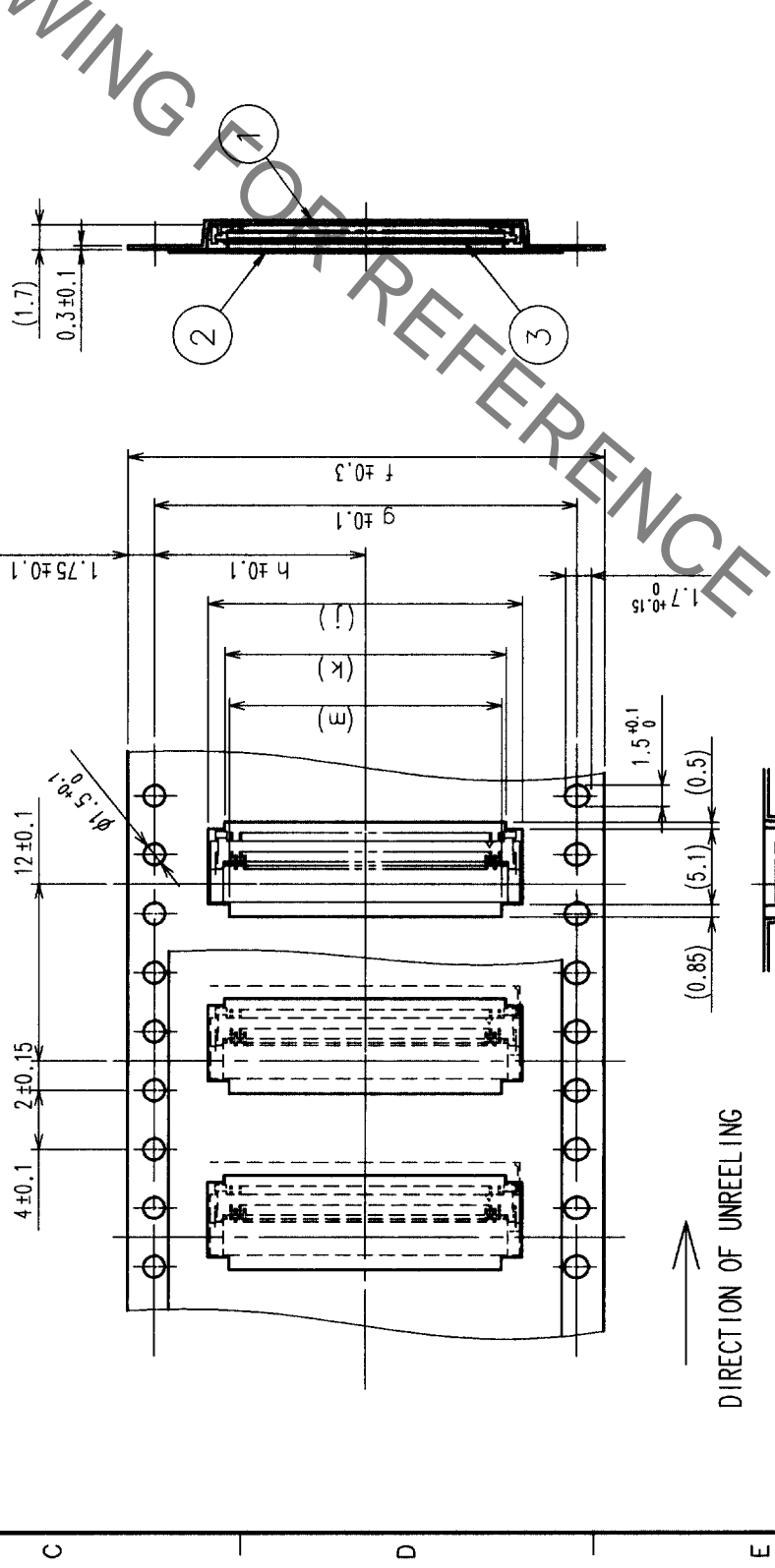
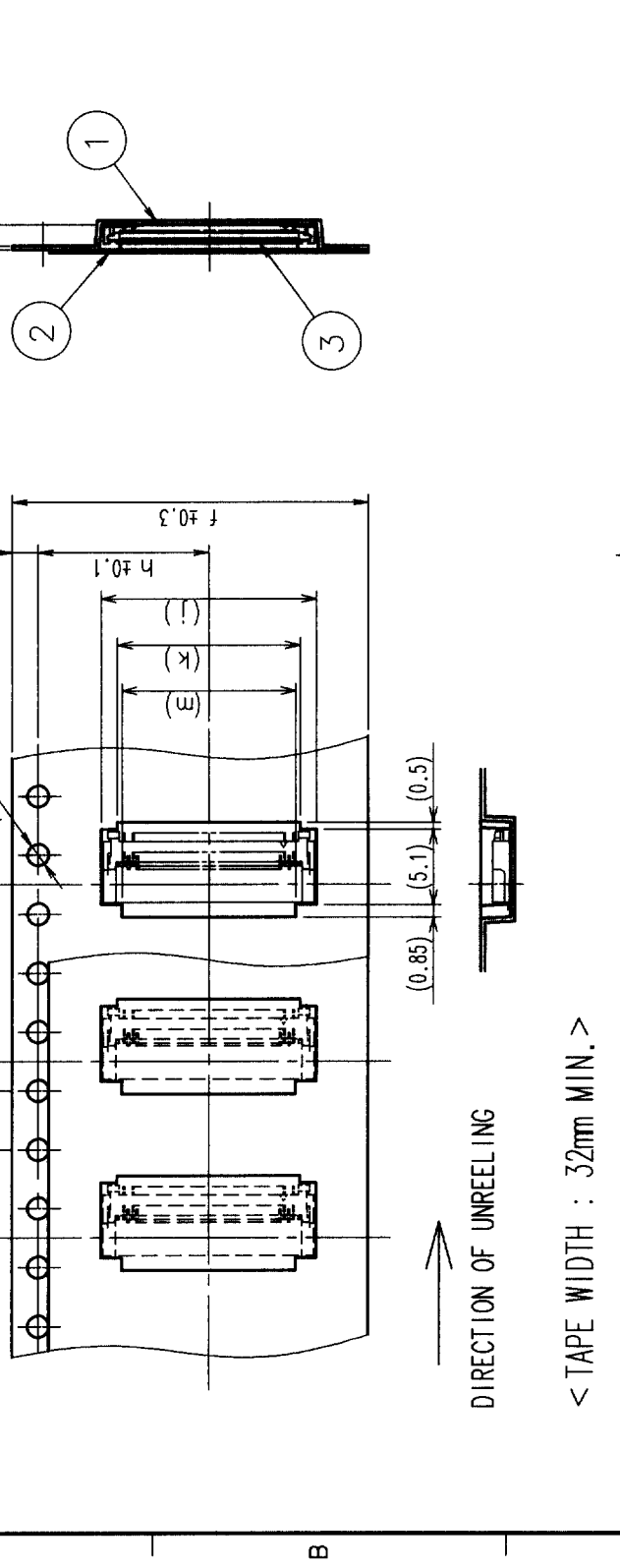


NOTES 1 THE DIMENSIONS IN PARENTHISES ARE FOR REFERENCE.
 2 PER REEL : 2500 CONNECTORS.

DIMENTION MATRIX

PRT NO.	CODE NO.	PHOTO OF CONTACT	f	g	h	j	k	m	n
FH23-15S-0.3SHAW(05)	CL586-1316-7-05	15	16	16	7.5	7.3	5.1	4.5	16.5
FH23-17S-0.3SHAW(05)	CL586-1301-0-05	17	16	16	7.5	7.9	5.7	5.1	16.5
FH23-21S-0.3SHAW(05)	CL586-1315-4-05	21	16	16	7.5	9.1	6.9	6.3	16.5
FH23-25S-0.3SHAW(05)	CL586-1323-2-05	25	24	24	11.5	10.3	8.1	7.5	24.5
FH23-27S-0.3SHAW(05)	CL586-1309-1-05	27	24	24	11.5	10.9	8.7	8.1	24.5
FH23-31S-0.3SHAW(05)	CL586-1303-5-05	31	24	24	11.5	12.1	9.9	9.3	24.5
FH23-33S-0.3SHAW(05)	CL586-1305-0-05	33	24	24	11.5	12.7	10.5	9.9	24.5
FH23-39S-0.3SHAW(05)	CL586-1307-6-05	39	24	24	11.5	14.5	12.3	11.7	24.5
FH23-45S-0.3SHAW(05)	CL586-1319-5-05	45	24	24	11.5	16.3	14.1	13.5	24.5
FH23-51S-0.3SHAW(05)	CL586-1313-9-05	51	24	24	11.5	18.1	15.9	15.3	24.5
FH23-61S-0.3SHAW(05)	CL586-1311-3-05	61	32	28.4	14.2	21.1	18.9	18.3	32.5
FH23-71S-0.3SHAW(05)	CL586-1321-7-05	71	44	40.4	20.2	24.1	21.9	21.3	44.5

NO.	MATERIAL	FINISH, REMARKS	NO.	MATERIAL	FINISH, REMARKS
2	POLYESTER		4		
1	POLYSTYRENE		3	(CONNECTOR)	



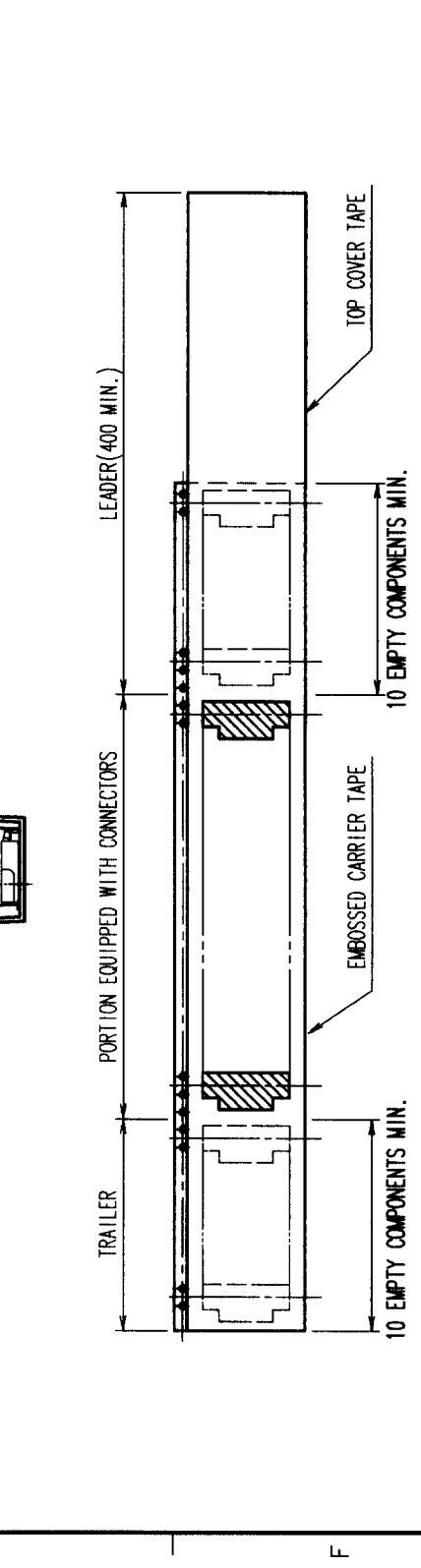
NO.	MATERIAL	FINISH, REMARKS	NO.	MATERIAL	FINISH, REMARKS
2	POLYESTER		4		
1	POLYSTYRENE		3	(CONNECTOR)	

CODE NO. (OLD)

DRAWN: S. OKAMURA 02.11.11
 DESIGNED: S. OKAMURA 02.11.11
 CHECKED: R. Takayama 02.11.11
 APPROVED: S. Okamura 02.11.12

SCALE: 2 : 1
 UNITS: mm

DRAWING NO.: EDC3-153685-01
 PART NO.: FH23-S-0.3SHAW(05)
 CODE NO.: CL586-2



X-ON Electronics

Largest Supplier of Electrical and Electronic Components

Click to view similar products for [FFC & FPC Connectors](#) category:

Click to view products by [Hirose](#) manufacturer:

Other Similar products are found below :

[K-FC20](#) [FH29B-80S-0.2SHW\(99\)](#) [FPH-2022G](#) [AYF332735](#) [52610-1075](#) [52610-1275](#) [52610-1934](#) [501864-3091-TR225](#) [086222026001800](#)
[52610-0675](#) [62684-36210E9ALF](#) [52746-1671-TR250](#) [10051922-2810EHLF](#) [6-520415-9](#) [SFV6R-1STE9HLF](#) [XF3M-2915-1B-R100](#)
[1658549-1](#) [46214008010800](#) [AYF534065TA](#) [AYF351525](#) [086212040340800+](#) [AYF530365TA](#) [67000-014LF](#) [67000-004LF](#)
[006207341915000+](#) [DS1020-19RT1D](#) [67000-003LF](#) [67000-011LF](#) [67000-016LF](#) [HFW14R-2STE9LF](#) [SFV32R-2STBE9HLF](#) [SFW12R-](#)
[5STE9LF](#) [SFW18R-1STAE9LF](#) [SFW4R-5STE9LF](#) [52807-0430](#) [046283021002868+](#) [THD1015-8CL-SN](#) [67000-006LF](#) [502250-8027](#)
[104267-9617](#) [66987-011LF](#) [AYF362535](#) [F0501-T-50-20T-R](#) [HFW8S-2STAE1HLF](#) [67000-008LF](#) [67000-012LF](#) [ECC576069EU](#) [F1002-B-](#)
[20-20T-R](#) [HFW15S-2STAE1HLF](#) [0781271110](#)