

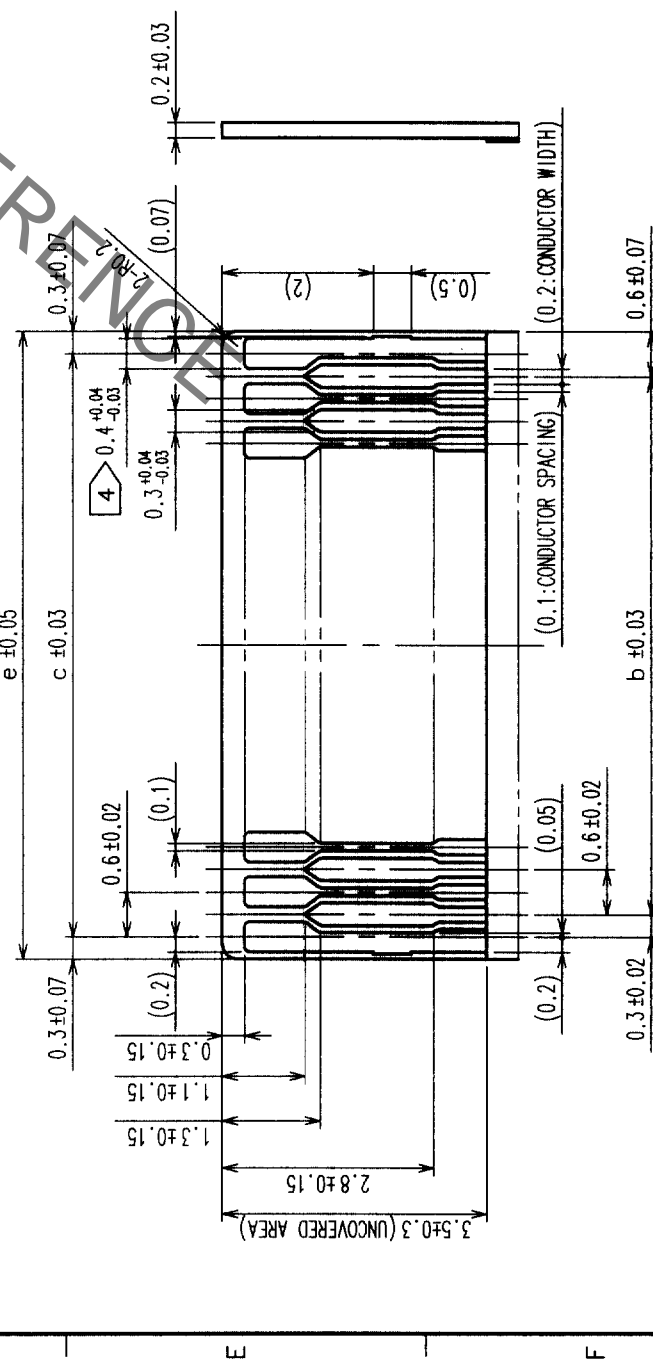
- 注 1 DIMENSIONS FROM REFERENCE SURFACE C (BOTTOM SURFACE OF HOUSING).
 2 LEAD CO-PLANARITY SHALL BE 0.1 MAX.
 3 LENGTH AFTER FPC IS INSERTED.
 4 0.3^{+0.04}_{-0.03} CAN BE APPLIED WITH LEAD PLATED.
 5 PREVENTIVE HOLES FOR SINK MARK ARE APPLIED TO POSITIONS OF 33 OR LARGER.
 6 NOTE THAT PREVENTIVE HOLE FOR SINK MARK COULD BE ADDED FOR IMPROVEMENT. THE QUALITY REMAINS GOOD, EVEN WITH THE DARK SPOTS, WHICH COULD OCCASIONALLY OCCUR ON MOLDED PLASTIC.

RECOMMENDED FPC(FREE)
 e ±0.05

PART NO.	CODE NO.	NO. OF CONTACT	a	b	c	d	e
FH23-15S-0.3SHAW(05)	CL586-1316-7-05	15	7	3.6	4.2	4.83	4.8
FH23-17S-0.3SHAW(05)	CL586-1301-0-05	17	7.6	4.2	4.8	5.43	5.4
FH23-21S-0.3SHAW(05)	CL586-1315-4-05	21	8.8	5.4	6	6.63	6.6
FH23-25S-0.3SHAW(05)	CL586-1323-2-05	25	10	6.6	7.2	7.83	7.8
FH23-27S-0.3SHAW(05)	CL586-1309-1-05	27	10.6	7.2	7.8	8.43	8.4
FH23-31S-0.3SHAW(05)	CL586-1303-5-05	31	11.8	8.4	9	9.63	9.6
FH23-33S-0.3SHAW(05)	CL586-1305-0-05	33	12.4	9	9.6	10.23	10.2
FH23-39S-0.3SHAW(05)	CL586-1307-6-05	39	14.2	10.8	11.4	12.03	12
FH23-45S-0.3SHAW(05)	CL586-1319-5-05	45	16	12.6	13.2	13.83	13.8
FH23-51S-0.3SHAW(05)	CL586-1313-9-05	51	17.8	14.4	15	15.63	15.6
FH23-61S-0.3SHAW(05)	CL586-1311-3-05	61	20.8	17.4	18	18.63	18.6
FH23-71S-0.3SHAW(05)	CL586-1321-7-05	71	23.8	20.4	21	21.63	21.6

RECOMMENDED METAL MASK THICKNESS : t=0.10

RECOMMENDED FPC(FREE)
 e ±0.05



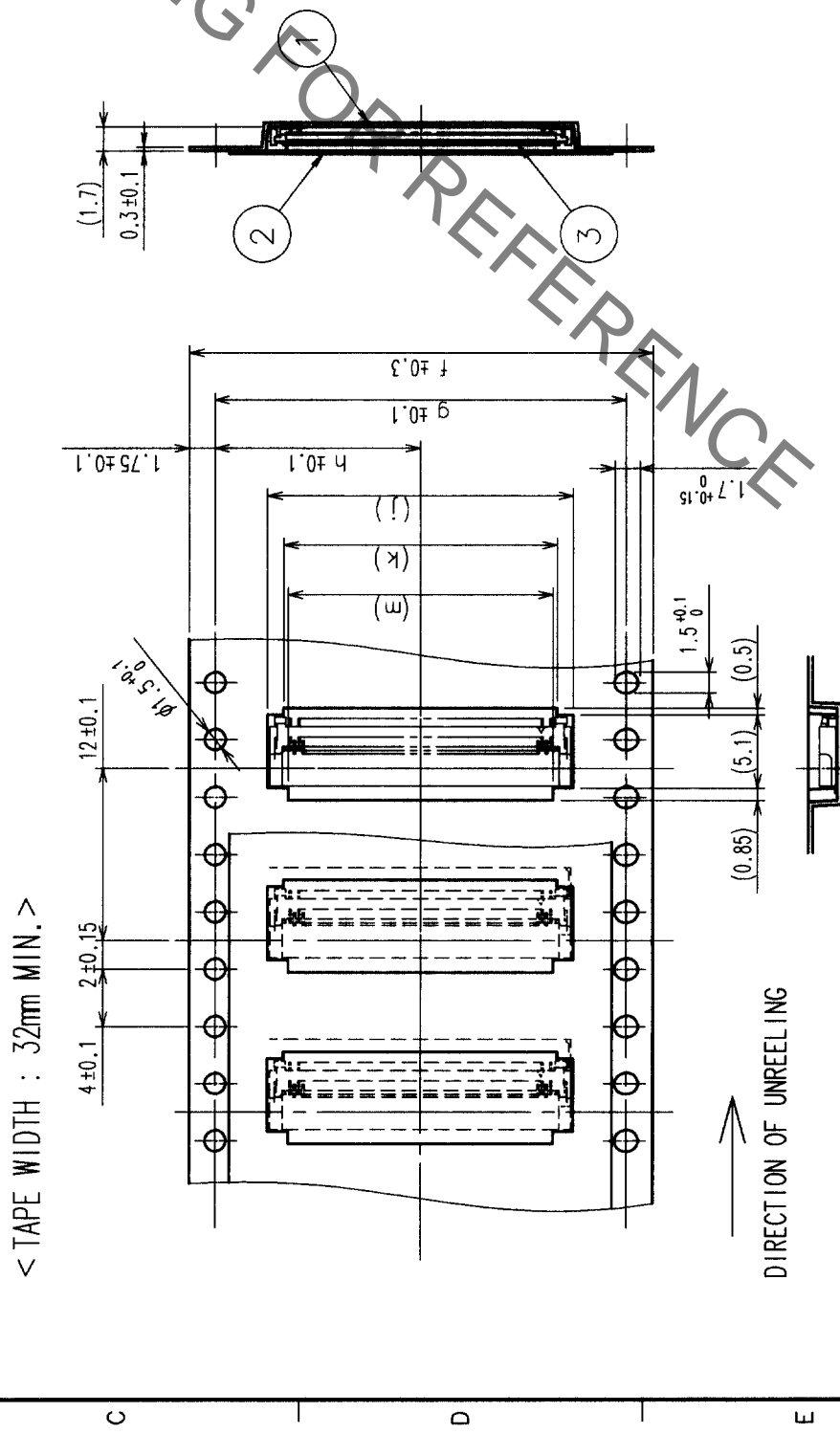
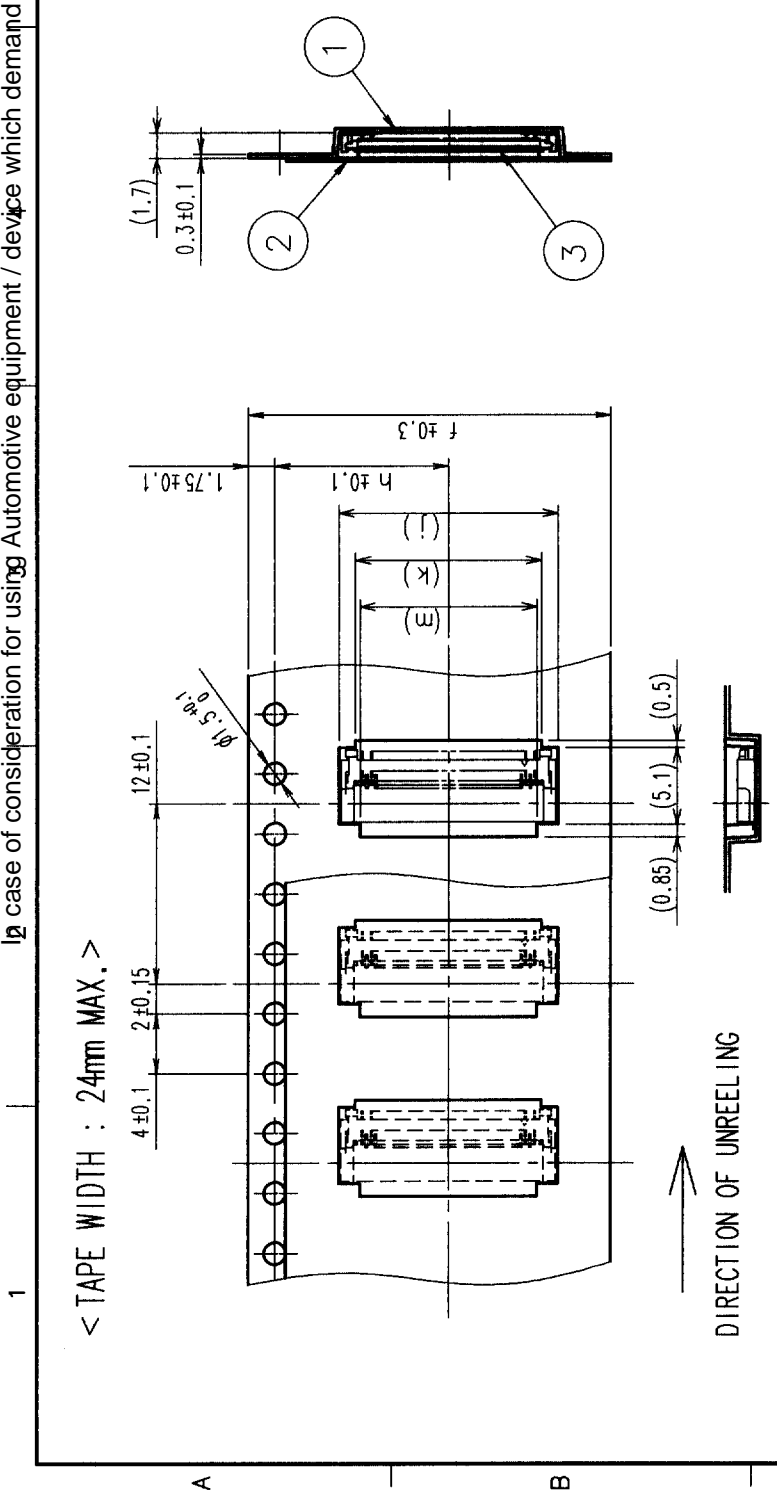
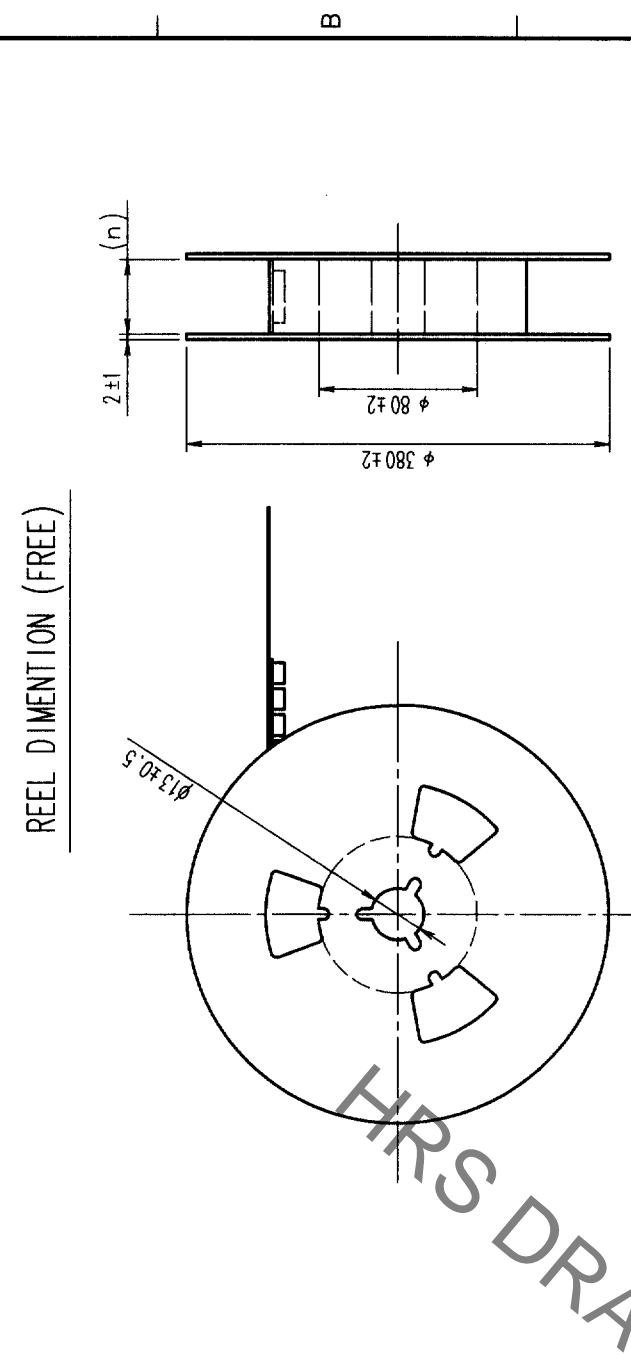
NO.	MATERIAL	FINISH, REMARKS	NO.	MATERIAL	DESIGNED	CHECKED	APPROVED	RELEASED
3	PHOSPHOR BRONZE	GOLD FLASH OVER NICKEL 1µm MIN.						
2	LCP	BLACK		UL94V-0				
1	LCP	BEIGE		UL94V-0				
			4	PHOSPHOR BRONZE				
								GOLD FLASH OVER NICKEL 1µm MIN.
CODE NO. (OLD)		DRAWN		DESIGNED	CHECKED	APPROVED	RELEASED	
		S.OKAMURA		S.OKAMURA		<i>R. Takayanagi</i>		
		02.11.11		02.11.11		02.11.11	02.11.12	

DRAWING NO.	EDC3-153685-01	PART NO.	FH23-S-0.3SHAW(05)
SCALE	10 : 1	CODE NO.	
UNITS	mm		

RECOMMENDED STIFFENER MATERIAL: POLYIMIDE, HEAT CURED ADHESIVE.

TO	
NC	

COUNT	DESCRIPTION OF REVISIONS	BY	CHKD	DATE	COUNT	DESCRIPTION OF REVISIONS	BY	CHKD	DATE
△					△				
△					△				
△					△				

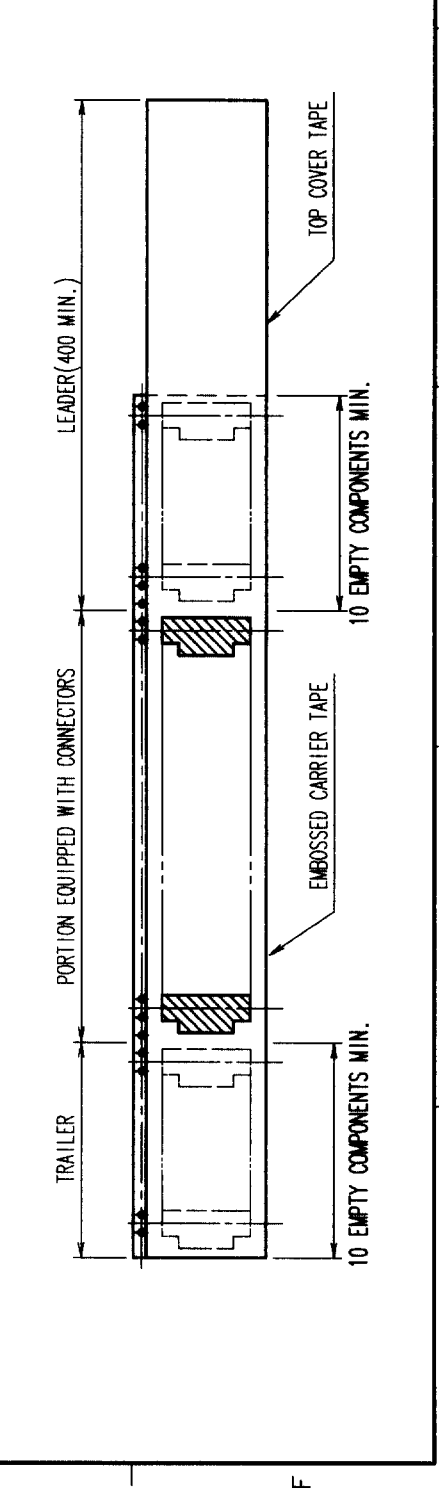


2	POLYESTER		4	
1	POLYSTYRENE		3	(CONNECTOR)
NO.	MATERIAL	FINISH, REMARKS	NO.	MATERIAL
CODE NO. (OLD)		DRAWN		FINISH, REMARKS
		S. OKAMURA	S. OKAMURA	DESIGNED
		02.11.11	02.11.11	CHECKED
			02.11.11	APPROVED
			02.11.12	RELEASED
DRAWING NO.		PART NO.		
EDC3-153685-01		FH23-*S-0.3SHAW(05)		
SCALE		CODE NO.		
2 : 1		CL586-		
UNITS		mm		

NOTES 1 THE DIMENSIONS IN PARENTHESES ARE FOR REFERENCE.
 2 PER REEL : 2500 CONNECTORS.

DIMENTION MATRIX

PRT NO.	CODE NO.	PHOTO OF CONTACT	f	g	h	j	k	m	n
FH23-15S-0.3SHAW(05)	CL586-1316-7-05	15	16	16	7.5	7.3	5.1	4.5	16.5
FH23-17S-0.3SHAW(05)	CL586-1301-0-05	17	16	16	7.5	7.9	5.7	5.1	16.5
FH23-21S-0.3SHAW(05)	CL586-1315-4-05	21	16	16	7.5	9.1	6.9	6.3	16.5
FH23-25S-0.3SHAW(05)	CL586-1323-2-05	25	24	24	11.5	10.3	8.1	7.5	24.5
FH23-27S-0.3SHAW(05)	CL586-1309-1-05	27	24	24	11.5	10.9	8.7	8.1	24.5
FH23-31S-0.3SHAW(05)	CL586-1303-5-05	31	24	24	11.5	12.1	9.9	9.3	24.5
FH23-33S-0.3SHAW(05)	CL586-1305-0-05	33	24	24	11.5	12.7	10.5	9.9	24.5
FH23-39S-0.3SHAW(05)	CL586-1307-6-05	39	24	24	11.5	14.5	12.3	11.7	24.5
FH23-45S-0.3SHAW(05)	CL586-1319-5-05	45	24	24	11.5	16.3	14.1	13.5	24.5
FH23-51S-0.3SHAW(05)	CL586-1313-9-05	51	24	24	11.5	18.1	15.9	15.3	24.5
FH23-61S-0.3SHAW(05)	CL586-1311-3-05	61	32	28.4	14.2	21.1	18.9	18.3	32.5
FH23-71S-0.3SHAW(05)	CL586-1321-7-05	71	44	40.4	20.2	24.1	21.9	21.3	44.5



TO	
NC	

X-ON Electronics

Largest Supplier of Electrical and Electronic Components

Click to view similar products for [FFC & FPC Connectors](#) category:

Click to view products by [Hirose](#) manufacturer:

Other Similar products are found below :

[FPH-1422G](#) [FPH-1602G](#) [K-FC20](#) [FH29B-80S-0.2SHW\(99\)](#) [FPH-2022G](#) [AYF332735](#) [52610-1075](#) [52610-1275](#) [52610-1934](#) [501864-3091-TR225](#) [086222026001800](#) [52610-0675](#) [62684-36210E9ALF](#) [52746-1671-TR250](#) [10051922-2810EHLF](#) [6-520415-9](#) [SFV6R-1STE9HLF](#) [XF3M-2915-1B-R100](#) [1658549-1](#) [AYF534065TA](#) [AYF351525](#) [086212040340800+](#) [AYF530365TA](#) [67000-014LF](#) [67000-004LF](#) [006207341915000+](#) [DS1020-19RT1D](#) [67000-003LF](#) [67000-011LF](#) [67000-016LF](#) [HFW14R-2STE9LF](#) [SFV32R-2STBE9HLF](#) [SFW12R-5STE9LF](#) [SFW18R-1STAE9LF](#) [SFW4R-5STE9LF](#) [52807-0430](#) [046283021002868+](#) [THD1015-8CL-SN](#) [67000-006LF](#) [502250-8027](#) [104267-9617](#) [66987-011LF](#) [AYF362535](#) [F0501-T-50-20T-R](#) [F1003-ZV-12-25T-R](#) [HFW8S-2STAE1HLF](#) [67000-008LF](#) [67000-012LF](#) [ECC576069EU](#) [F1002-B-20-20T-R](#)