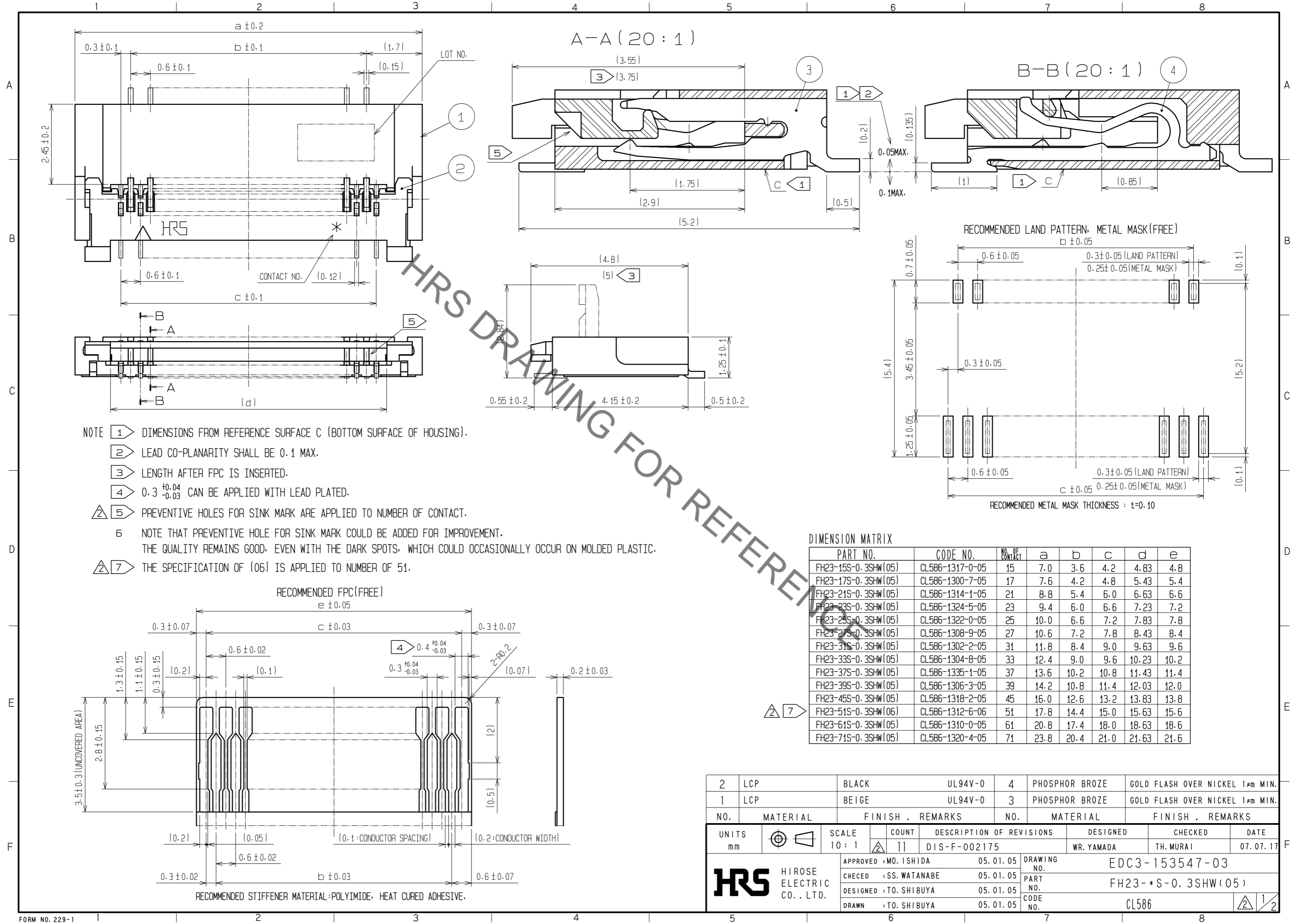
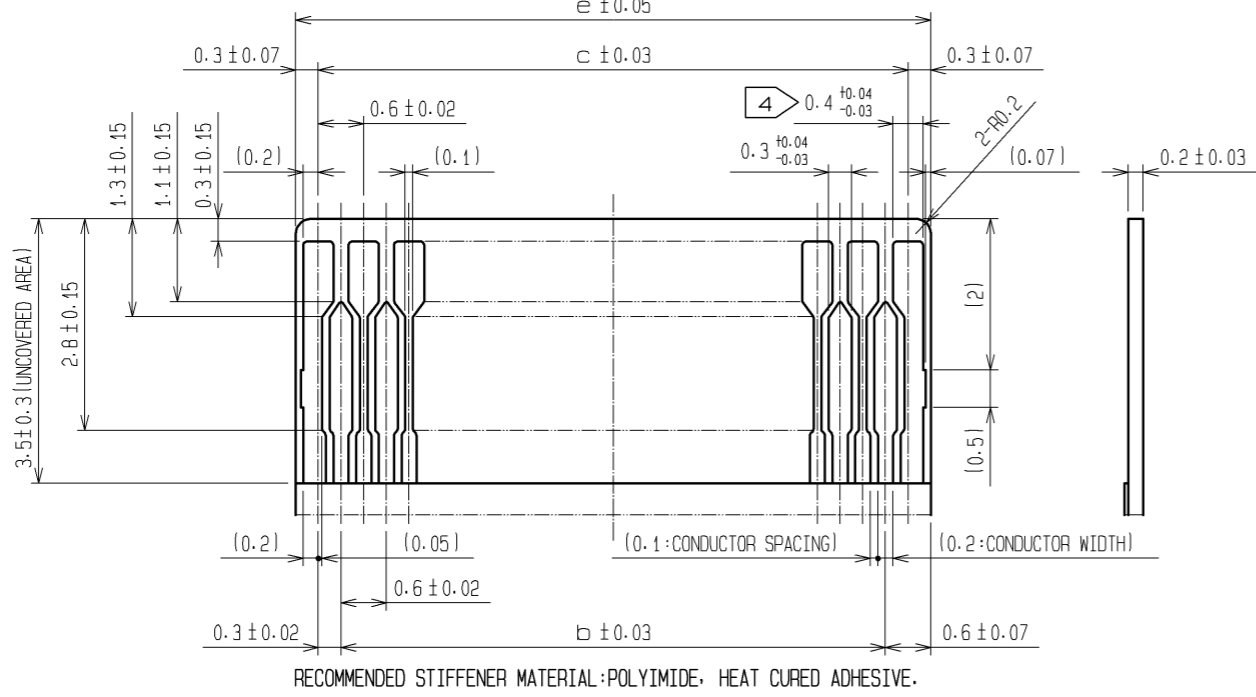


Aug.1.2021 Copyright 2021 HIROSE ELECTRIC CO., LTD. All Rights Reserved.  
In case of consideration for using Automotive equipment / device which demand high reliability, kindly contact our sales window correspondents.



- NOTE
- ① DIMENSIONS FROM REFERENCE SURFACE C (BOTTOM SURFACE OF HOUSING).
  - ② LEAD CO-PLANARITY SHALL BE 0.1 MAX.
  - ③ LENGTH AFTER FPC IS INSERTED.
  - ④  $0.3 \begin{smallmatrix} +0.04 \\ -0.03 \end{smallmatrix}$  CAN BE APPLIED WITH LEAD PLATED.
  - ⑤ PREVENTIVE HOLES FOR SINK MARK ARE APPLIED TO NUMBER OF CONTACT.
  - ⑥ NOTE THAT PREVENTIVE HOLE FOR SINK MARK COULD BE ADDED FOR IMPROVEMENT. THE QUALITY REMAINS GOOD, EVEN WITH THE DARK SPOTS, WHICH COULD OCCASIONALLY OCCUR ON MOLDED PLASTIC.
  - ⑦ THE SPECIFICATION OF (06) IS APPLIED TO NUMBER OF 51.

RECOMMENDED FPC(FREE)

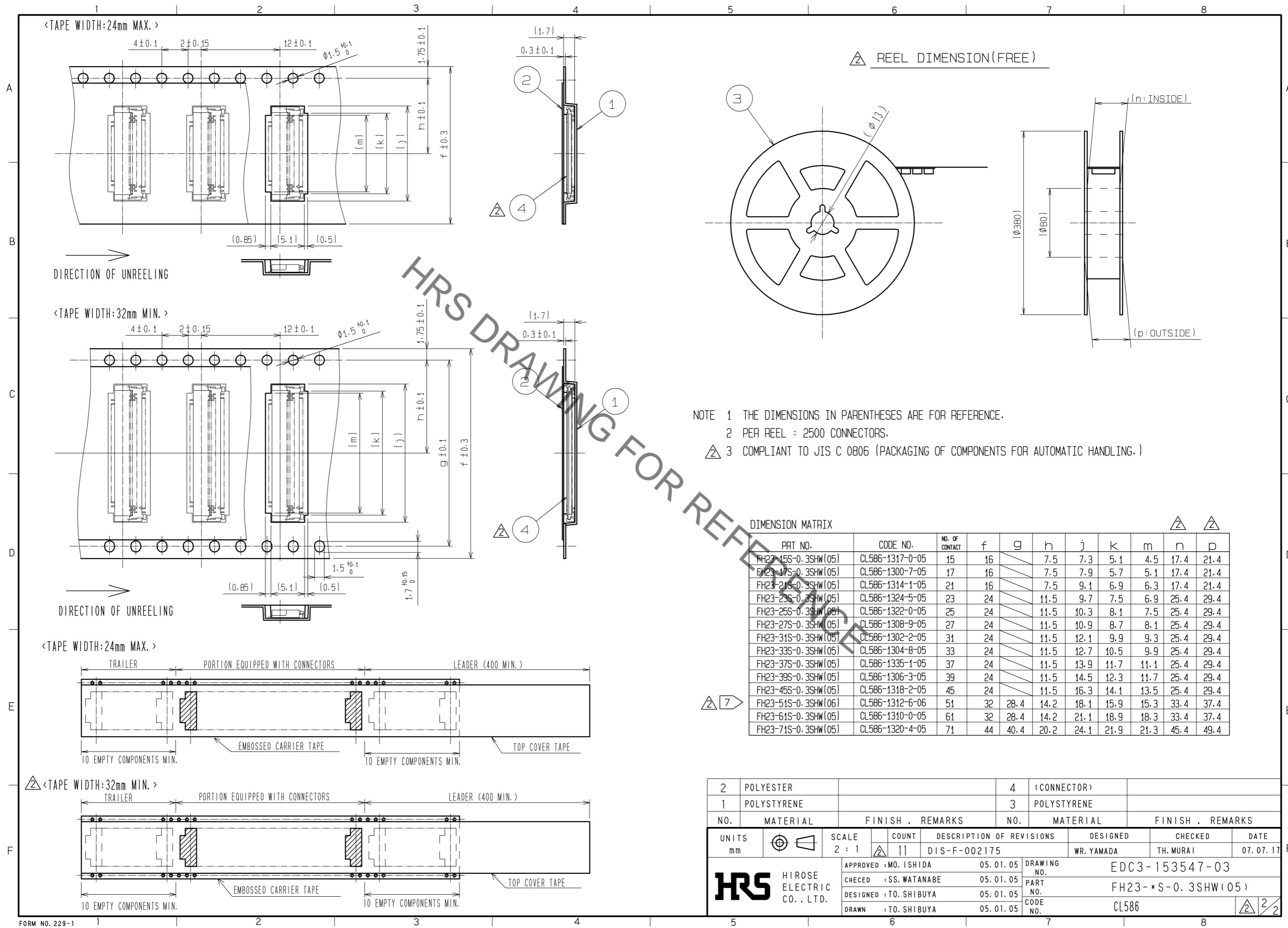


DIMENSION MATRIX

PART NO.	CODE NO.	NO. OF CONTACT	a	b	c	d	e
FH23-15S-0.3SHW(05)	CL586-1317-0-05	15	7.0	3.6	4.2	4.83	4.8
FH23-17S-0.3SHW(05)	CL586-1300-7-05	17	7.6	4.2	4.8	5.43	5.4
FH23-21S-0.3SHW(05)	CL586-1314-1-05	21	8.8	5.4	6.0	6.63	6.6
FH23-23S-0.3SHW(05)	CL586-1324-5-05	23	9.4	6.0	6.6	7.23	7.2
FH23-25S-0.3SHW(05)	CL586-1322-0-05	25	10.0	6.6	7.2	7.83	7.8
FH23-27S-0.3SHW(05)	CL586-1308-9-05	27	10.6	7.2	7.8	8.43	8.4
FH23-31S-0.3SHW(05)	CL586-1302-2-05	31	11.8	8.4	9.0	9.63	9.6
FH23-33S-0.3SHW(05)	CL586-1304-8-05	33	12.4	9.0	9.6	10.23	10.2
FH23-37S-0.3SHW(05)	CL586-1335-1-05	37	13.6	10.2	10.8	11.43	11.4
FH23-39S-0.3SHW(05)	CL586-1306-3-05	39	14.2	10.8	11.4	12.03	12.0
FH23-45S-0.3SHW(05)	CL586-1318-2-05	45	16.0	12.6	13.2	13.83	13.8
FH23-51S-0.3SHW(06)	CL586-1312-6-06	51	17.8	14.4	15.0	15.63	15.6
FH23-61S-0.3SHW(05)	CL586-1310-0-05	61	20.8	17.4	18.0	18.63	18.6
FH23-71S-0.3SHW(05)	CL586-1320-4-05	71	23.8	20.4	21.0	21.63	21.6

2	LCP	BLACK	UL94V-0	4	PHOSPHOR BROZE	GOLD FLASH OVER NICKEL 1μm MIN.	
1	LCP	BEIGE	UL94V-0	3	PHOSPHOR BROZE	GOLD FLASH OVER NICKEL 1μm MIN.	
NO.	MATERIAL	FINISH	REMARKS	NO.	MATERIAL	FINISH	REMARKS
UNITS	mm	SCALE	10:1	COUNT	11	DESCRIPTION OF REVISIONS	DIS-F-002175
				DESIGNED	WR. YAMADA	CHECKED	TH. MURAI
				DATE	07.07.17		
APPROVED: MO. ISHIDA				05.01.05	DRAWING NO.		EDC3-153547-03
CHECKED: SS. WATANABE				05.01.05	PART NO.		FH23-*S-0.3SHW(05)
DESIGNED: TO. SHIBUYA				05.01.05	CODE NO.		CL586
DRAWN: TO. SHIBUYA				05.01.05			

Aug.1.2021 Copyright 2021 HIROSE ELECTRIC CO., LTD. All Rights Reserved.  
 In case of consideration for using Automotive equipment / device which demand high reliability, kindly contact our sales window correspondents.



2	POLYESTER		4	(CONNECTOR)			
1	POLYSTYRENE		3	POLYSTYRENE			
NO.	MATERIAL	FINISH . REMARKS	NO.	MATERIAL	FINISH . REMARKS		
UNITS mm		SCALE 2 : 1	COUNT 11	DESCRIPTION OF REVISIONS DIS-F-002175	DESIGNED WR. YAMADA	CHECKED TH. MURAI	DATE 07. 07. 17
<b>HRS</b> HIROSE ELECTRIC CO., LTD.		APPROVED : MO. ISHIDA	05. 01. 05	DRAWING NO. EDC3-153547-03		PART NO. FH23-*S-0.3SHW(05)	
		CHECED : SS. WATANABE	05. 01. 05	CODE NO. CL586			
		DESIGNED : TO. SHIBUYA	05. 01. 05				
		DRAWN : TO. SHIBUYA	05. 01. 05				

## X-ON Electronics

Largest Supplier of Electrical and Electronic Components

*Click to view similar products for [FFC & FPC Connectors](#) category:*

*Click to view products by [Hirose](#) manufacturer:*

Other Similar products are found below :

[K-FC20](#) [FH29B-80S-0.2SHW\(99\)](#) [FPH-2022G](#) [AYF332735](#) [52610-1075](#) [52610-1275](#) [52610-1934](#) [501864-3091-TR225](#) [086222026001800](#)  
[52610-0675](#) [62684-36210E9ALF](#) [52746-1671-TR250](#) [10051922-2810EHLF](#) [6-520415-9](#) [SFV6R-1STE9HLF](#) [XF3M-2915-1B-R100](#)  
[1658549-1](#) [46214008010800](#) [AYF534065TA](#) [AYF351525](#) [086212040340800+](#) [AYF530365TA](#) [67000-014LF](#) [67000-004LF](#)  
[006207341915000+](#) [DS1020-19RT1D](#) [67000-003LF](#) [67000-011LF](#) [67000-016LF](#) [HFW14R-2STE9LF](#) [SFV32R-2STBE9HLF](#) [SFW12R-](#)  
[5STE9LF](#) [SFW18R-1STAE9LF](#) [SFW4R-5STE9LF](#) [52807-0430](#) [046283021002868+](#) [THD1015-8CL-SN](#) [67000-006LF](#) [502250-8027](#)  
[104267-9617](#) [66987-011LF](#) [AYF362535](#) [F0501-T-50-20T-R](#) [HFW8S-2STAE1HLF](#) [67000-008LF](#) [67000-012LF](#) [ECC576069EU](#) [F1002-B-](#)  
[20-20T-R](#) [HFW15S-2STAE1HLF](#) [0781271110](#)