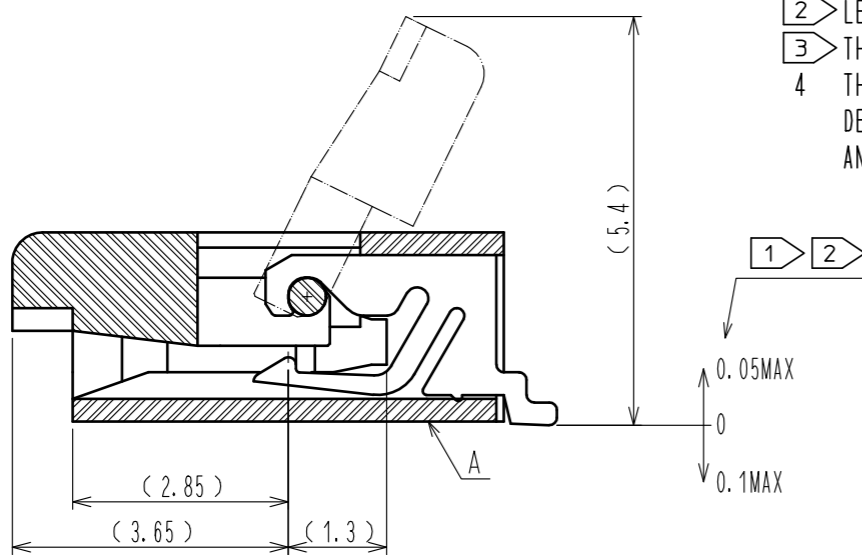
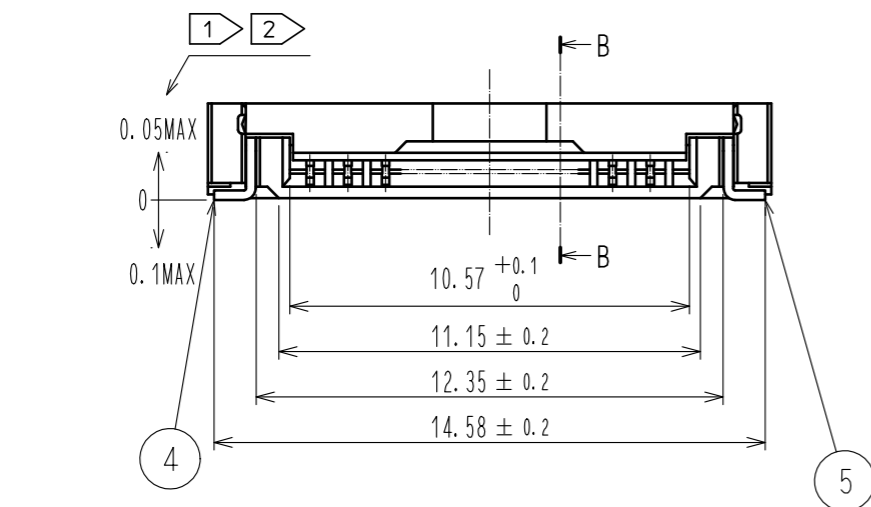
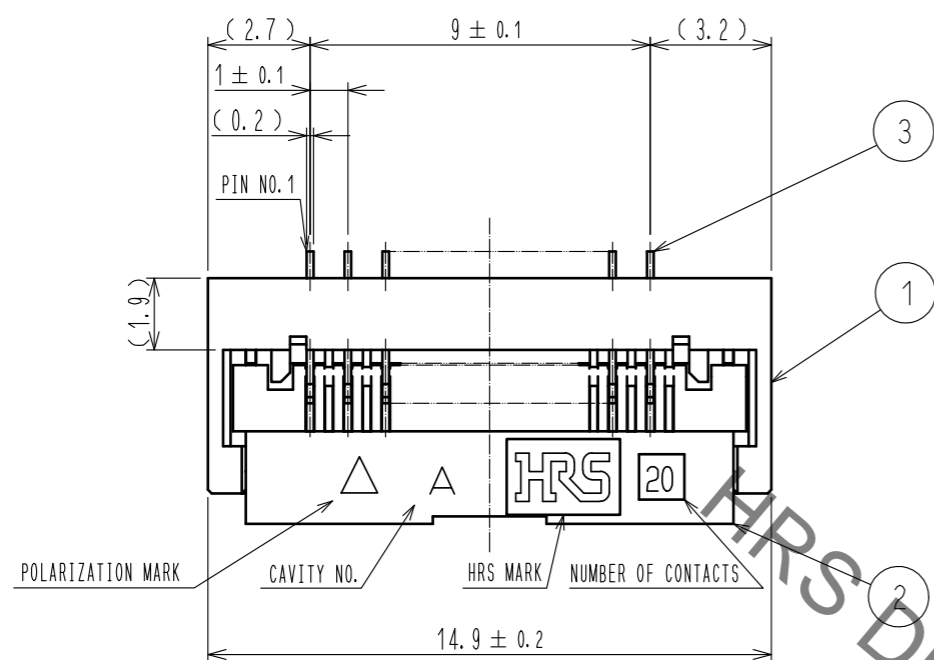
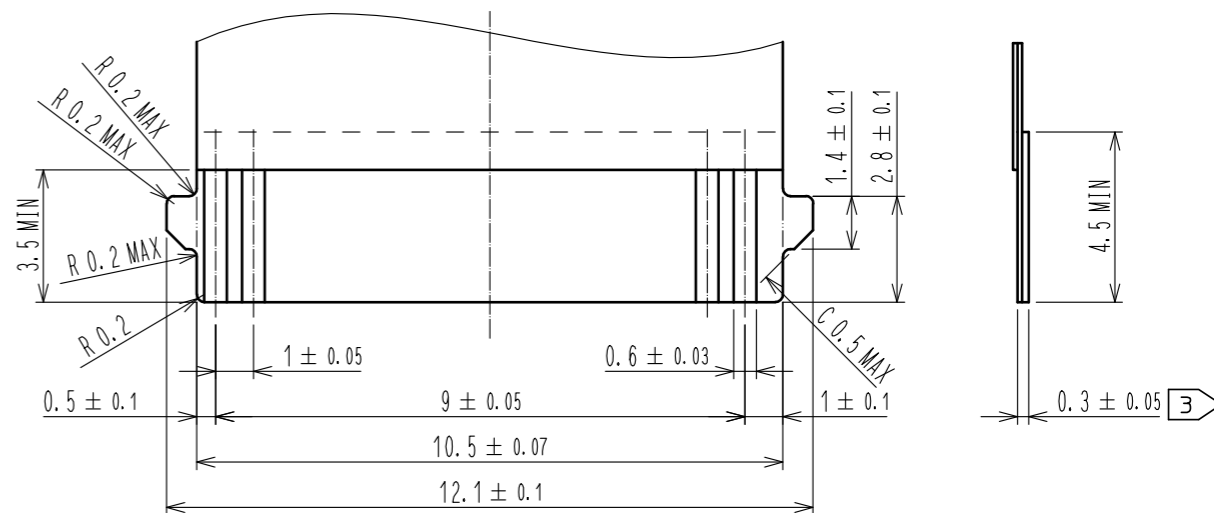


Jun.1.2021 Copyright 2021 HIROSE ELECTRIC CO., LTD. All Rights Reserved.
In case of consideration for using Automotive equipment / device which demand high reliability, kindly contact our sales window correspondents.

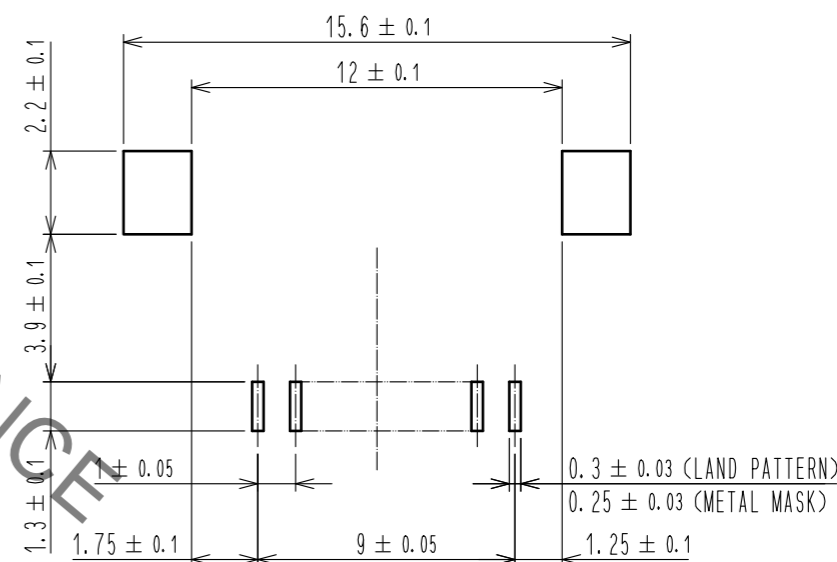


- NOTE
- ① REFERENCE IS A.
 - ② LEAD CO-PLANARITY SHALL BE 0.1 MAX.
 - ③ THICKNESS OF SUPPORTING TAPE SHALL BE 0.188(7.5mil) MIN.
 - ④ THIS PRODUCT SATISFIES HALOGEN FREE REQUIREMENTS DEFINED AS 900PPM MAXIMUM CHLORINE, 900PPM MAXIMUM BROMINE, AND 1500PPM MAXIMUM TOTAL OF CHLORINE AND BROMINE.

RECOMMENDED FPC/FFC (FREE)



RECOMMENDED LAND PATTERN, METAL MASK (FREE)



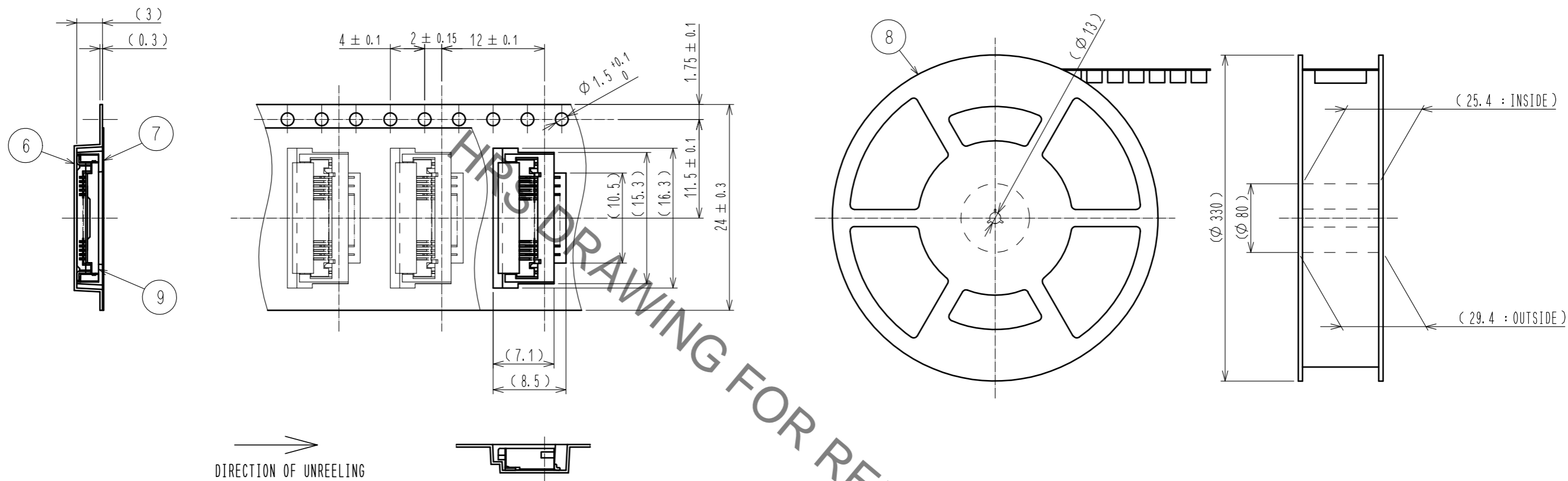
RECOMMENDED METAL MASK THICKNESS: t=0.15

5	BRASS	TIN PLATING 1μm MIN OVER NICKEL 1μm MIN			
4	BRASS	TIN PLATING 1μm MIN OVER NICKEL 1μm MIN	9	(CONNECTOR)	
3	PHOSPHOR BRONZE	GOLD PLATING 0.05μm MIN OVER NICKEL 1μm MIN	8	POLYSTYRENE	
2	LCP	(BLACK) UL94V-0	7	POLYESTER	
1	LCP	(GRAY) UL94V-0	6	POLYSTYRENE	
NO.	MATERIAL	FINISH . REMARKS	NO.	MATERIAL	FINISH . REMARKS
UNITS mm		SCALE 5 : 1	COUNT	DESCRIPTION OF REVISIONS	
				DESIGNED	CHECKED
				DATE	
APPROVED : HS. HIRAHARA		20210316	DRAWING NO. EDC-327247-98-00		
CHECKED : HS. HIRAHARA		20210316	PART NO. FH28D-20(10)SB-1SH(98)		
DESIGNED : NM. YONEYAMA		20210311	CODE NO. CL0586-1863-0-98		
DRAWN : DS. HIROWATARI		20210310			

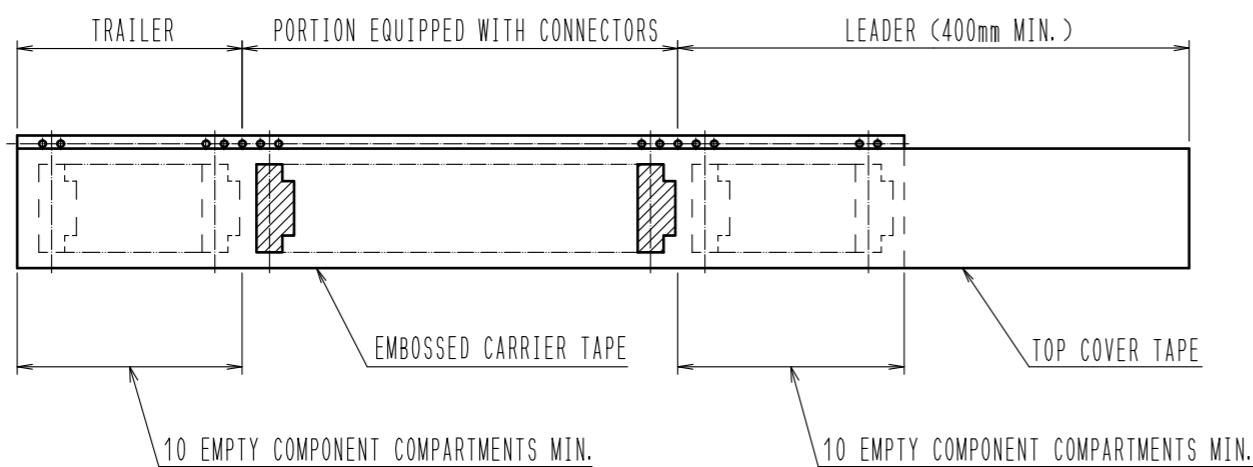
Jun.1.2021 Copyright 2021 HIROSE ELECTRIC CO., LTD. All Rights Reserved.
 In case of consideration for using Automotive equipment / device which demand high reliability, kindly contact our sales window correspondents.

EMBOSSED CARRIER TAPE DIMENSION (2:1)

REEL DIMENSION (FREE)



- NOTE 5 THE DIMENSIONS IN PARENTHESES ARE FOR REFERENCE.
 6 PER REEL : 500 CONNECTORS.
 7 REFER TO JIS C 0806 AND IEC 60286-3. (PACKAGING OF COMPONENTS FOR AUTOMATIC HANDLING)



DRAWING FOR PACKING

HRS	DRAWING NO.	EDC-327247-98-00	2/2
	PART NO.	FH28D-20(10)SB-1SH(98)	
	CODE NO.	CL0586-1863-0-98	

X-ON Electronics

Largest Supplier of Electrical and Electronic Components

Click to view similar products for [FFC & FPC Connectors](#) category:

Click to view products by [Hirose](#) manufacturer:

Other Similar products are found below :

[K-FC20](#) [FH29B-80S-0.2SHW\(99\)](#) [FPH-2022G](#) [AYF332735](#) [52610-1075](#) [52610-1275](#) [52610-1934](#) [501864-3091-TR225](#) [086222026001800](#)
[52610-0675](#) [62684-36210E9ALF](#) [52746-1671-TR250](#) [10051922-2810EHLF](#) [6-520415-9](#) [SFV6R-1STE9HLF](#) [XF3M-2915-1B-R100](#)
[1658549-1](#) [46214008010800](#) [AYF534065TA](#) [AYF351525](#) [086212040340800+](#) [AYF530365TA](#) [67000-014LF](#) [67000-004LF](#)
[006207341915000+](#) [DS1020-19RT1D](#) [67000-003LF](#) [67000-011LF](#) [67000-016LF](#) [HFW14R-2STE9LF](#) [SFV32R-2STBE9HLF](#) [SFW12R-](#)
[5STE9LF](#) [SFW18R-1STAE9LF](#) [SFW4R-5STE9LF](#) [52807-0430](#) [046283021002868+](#) [THD1015-8CL-SN](#) [67000-006LF](#) [502250-8027](#)
[104267-9617](#) [66987-011LF](#) [AYF362535](#) [F0501-T-50-20T-R](#) [HFW8S-2STAE1HLF](#) [67000-008LF](#) [67000-012LF](#) [ECC576069EU](#) [F1002-B-](#)
[20-20T-R](#) [HFW15S-2STAE1HLF](#) [0781271110](#)