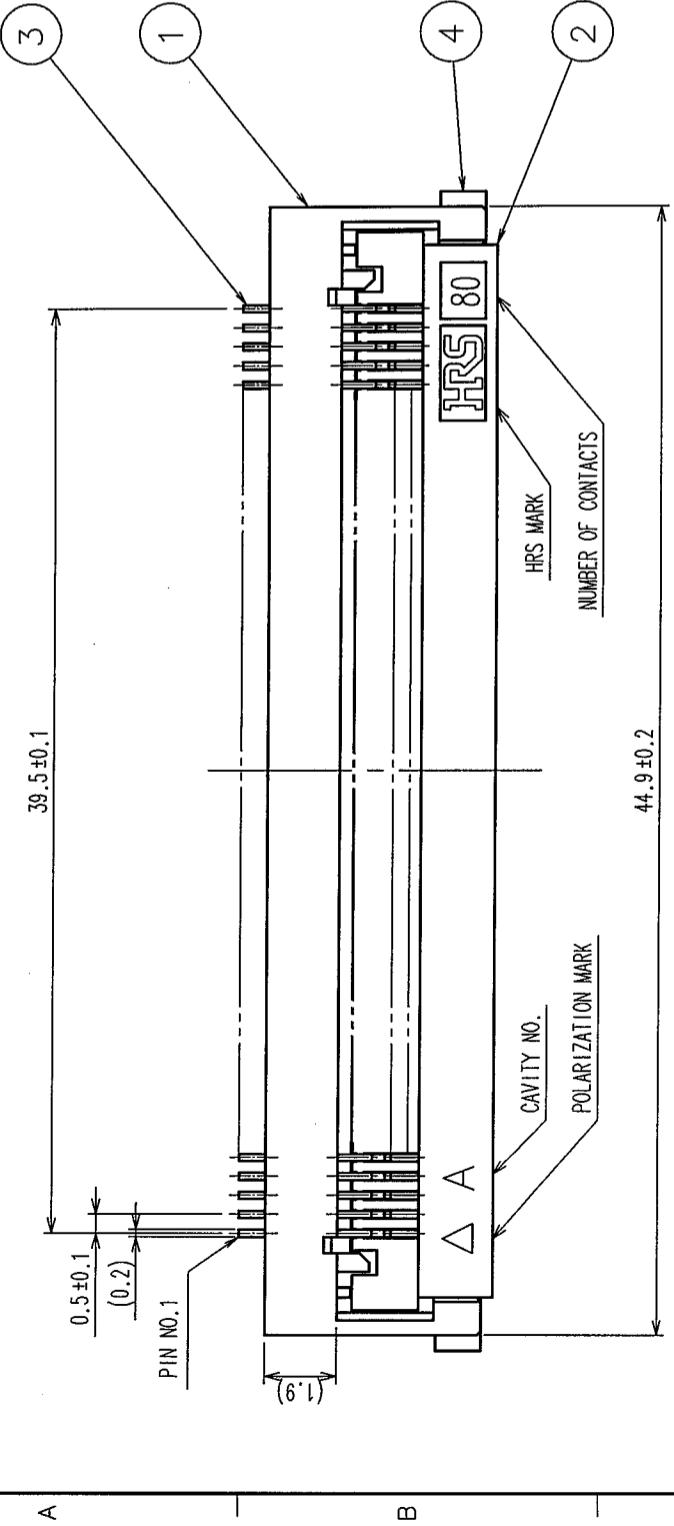
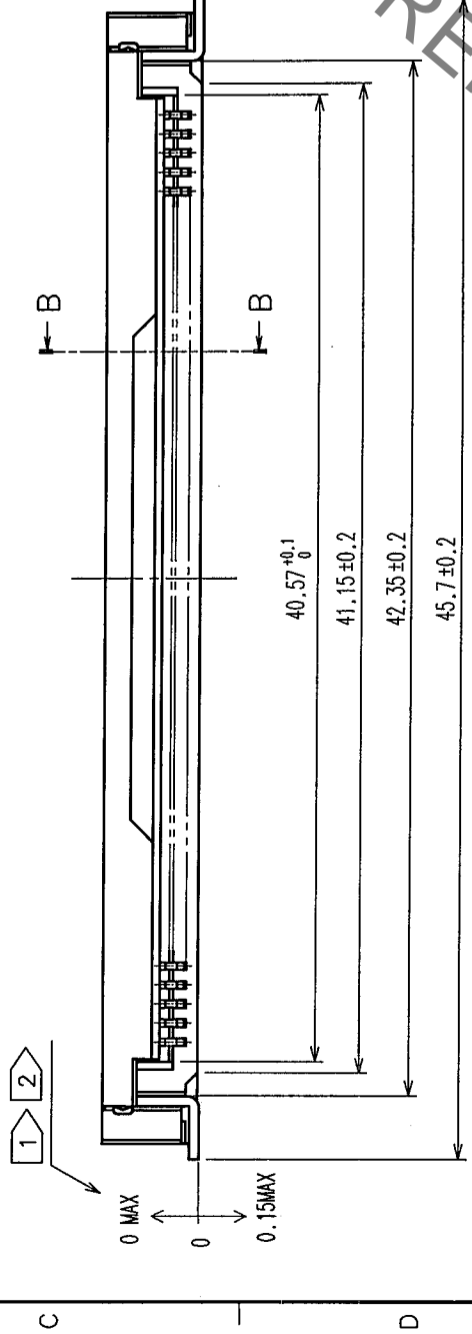
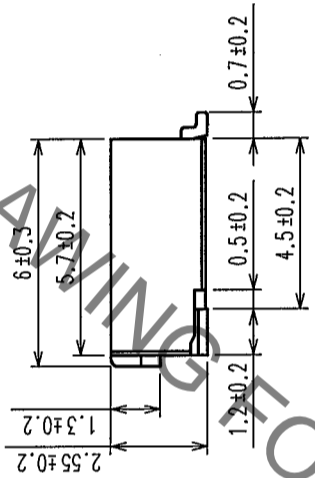
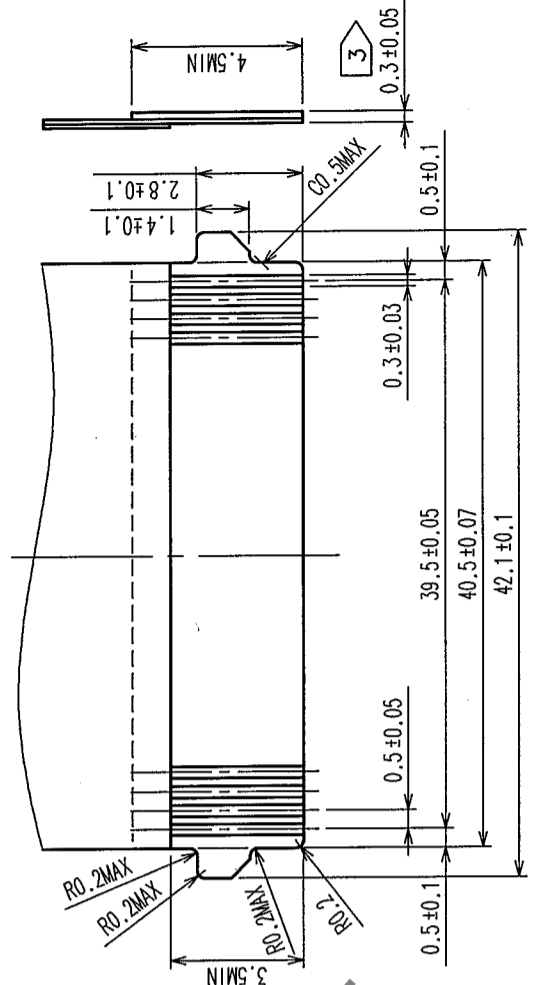


3 Jan.1.2022 Copyright 2022 HIROSE ELECTRIC CO., LTD. All Rights Reserved.
 In case of consideration for using Automotive equipment / device which demand high reliability, kindly contact our sales window correspondents.

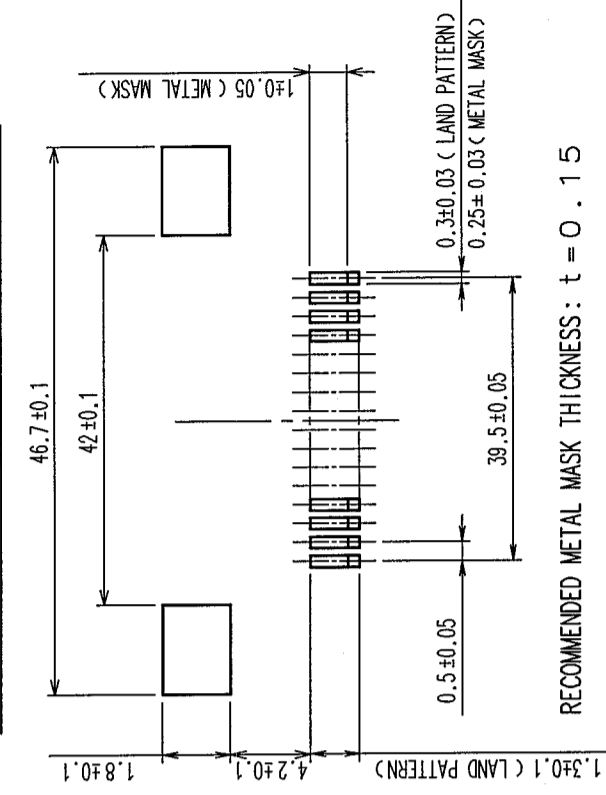
| COUNT | DESCRIPTION OF REVISIONS | BY | CHKD | DATE | COUNT | DESCRIPTION OF REVISIONS | BY | CHKD | DATE |
|-------|--------------------------|----|------|------|-------|--------------------------|----|------|------|
| △ | | | | | △ | | | | |
| △ | | | | | △ | | | | |
| △ | | | | | △ | | | | |



RECOMMENDED FPC (FREE)

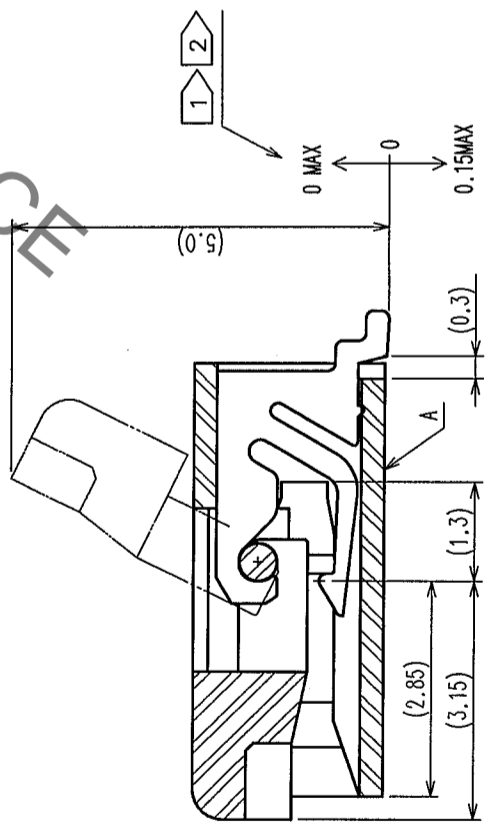


RECOMMENDED LAND PATTERN, METAL MASK (FREE)



RECOMMENDED METAL MASK THICKNESS: t = 0.15

- NOTE
- 1 REFERENCE IS A.
 - 2 LEAD CO-PLANARITY SHALL BE 0.1 MAX.
 - 3 THICKNESS OF SUPPORTING TAPE SHALL BE 0.188(7.5mil) MIN.

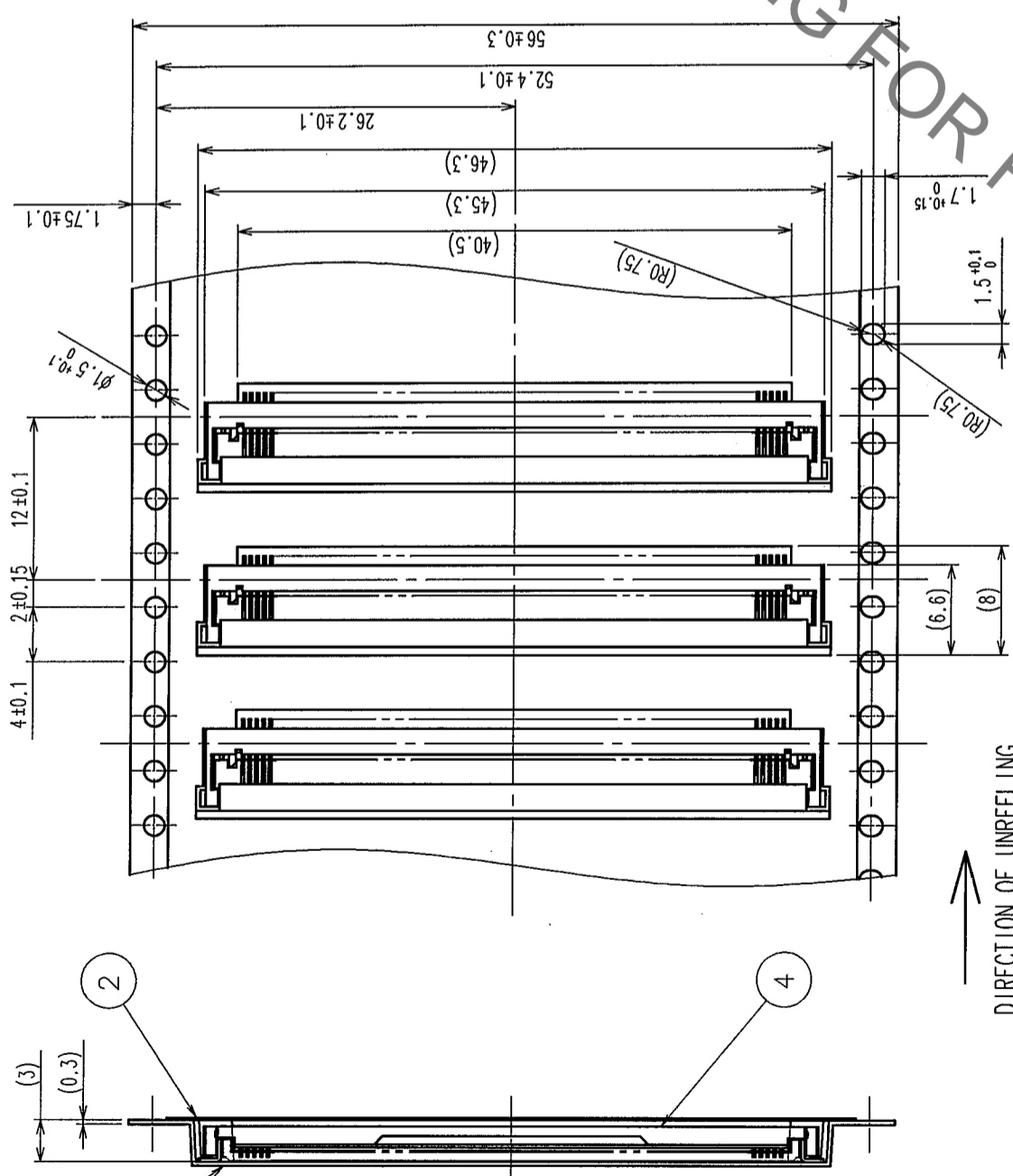


| | | | | | | |
|----------------|----------|---------------------------|-----------------|------------|----------------------|---|
| 2 | LCP | (BLACK) | UL94V-0 | 4 | BRASS | TIN PLATING 1μm MIN. OVER NICKEL 1μm MIN. |
| 1 | LCP | (GRAY) | UL94V-0 | 3 | PHOSPHOR BRONZE | GOLD PLATING FLASH OVER NICKEL 1μm MIN. |
| NO. | MATERIAL | FINISH, REMARKS | NO. | MATERIAL | FINISH, REMARKS | |
| CODE NO. (OLD) | CL | | DRAWN | DESIGNED | CHECKED | APPROVED |
| | | | D. YAMADA | H. TSUKUMO | <i>R. Takayanagi</i> | |
| | | | 04.06.08 | 04.06.08 | 04.06.08 | 04.06.08 |
| DRAWING NO. | | PART NO. | | | | |
| EDC3-154339-01 | | FH28H-80S-0.5SH(05) | | | | |
| SCALE | 5 : 1 | CODE NO. | CL586-1805-3-05 | | | |
| UNITS | mm | HIROSE ELECTRIC CO., LTD. | | | | |

| | |
|----|--|
| TO | |
| NC | |

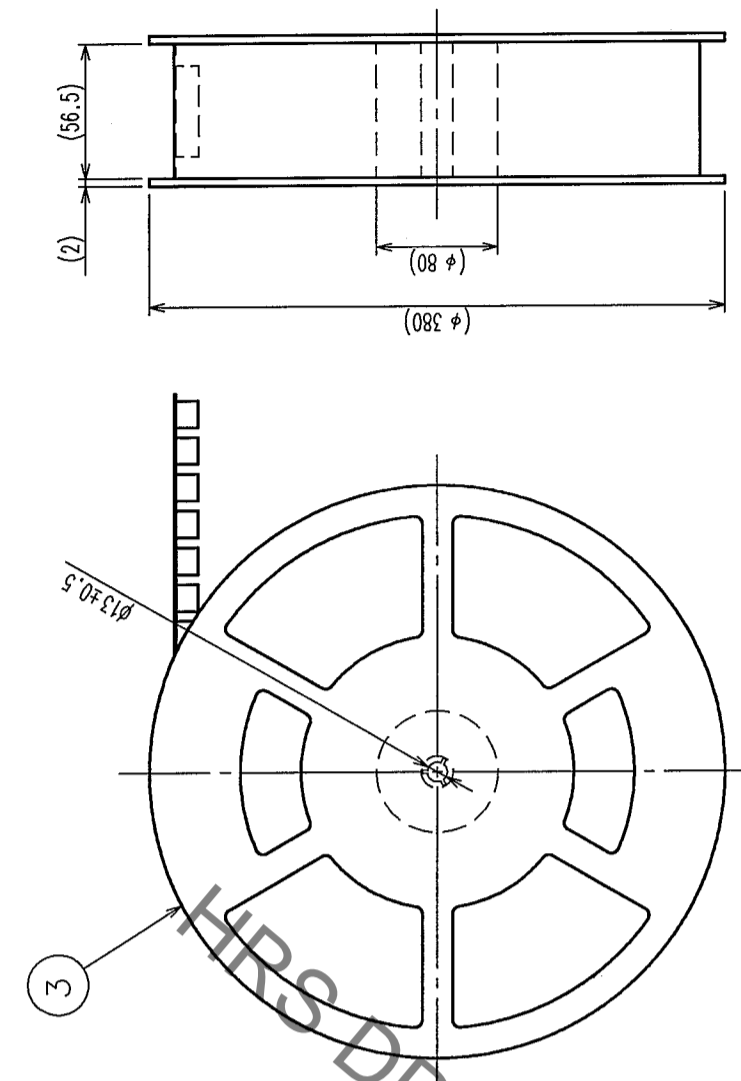
3 Jan.1.2022 Copyright 2022 HIROSE ELECTRIC CO., LTD. All Rights Reserved.
 2 In case of consideration for using Automotive equipment / device which demand high reliability, kindly contact our sales window correspondents.

| COUNT | DESCRIPTION OF REVISIONS | BY | CHKD | DATE | COUNT | DESCRIPTION OF REVISIONS | BY | CHKD | DATE |
|-------|--------------------------|----|------|------|-------|--------------------------|----|------|------|
| △ | | | | | △ | | | | |
| △ | | | | | △ | | | | |
| △ | | | | | △ | | | | |

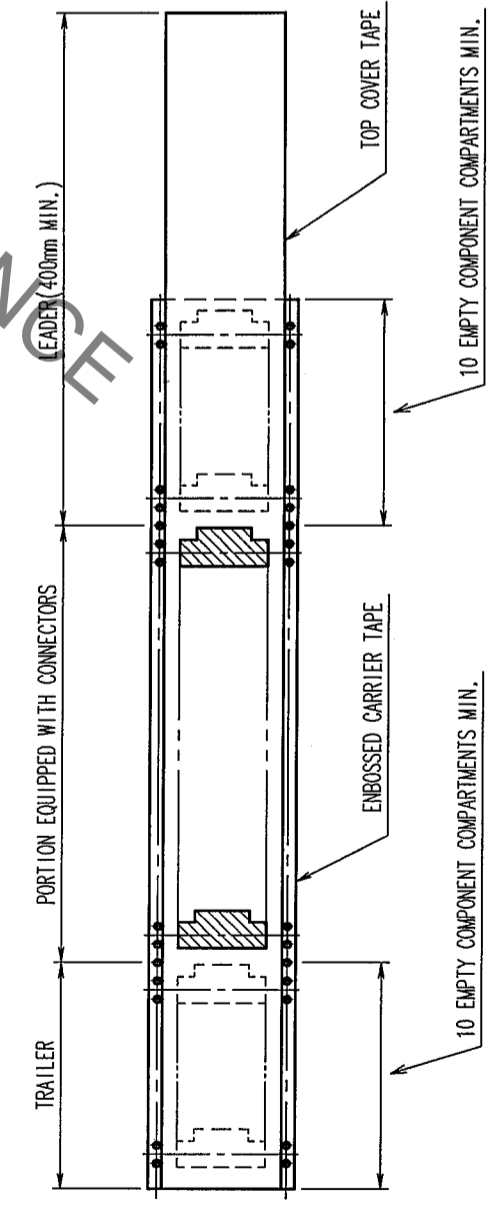


↑ DIRECTION OF UNREELING

REEL DIMENSION (FREE)



NOTE 1 THE DIMENSIONS IN PARENTHESES ARE FOR REFERENCE.
 2 PER REEL : 2000 CONNECTORS.
 3 REFER TO JIS C 0806 (PACKAGING OF COMPONENTS FOR AUTOMATIC HANDLING).



| NO. | MATERIAL | FINISH, REMARKS | NO. | MATERIAL | FINISH, REMARKS |
|-----|-------------|-----------------|-----|-------------|-----------------|
| 2 | POLYESTER | | 4 | (CONNECTOR) | |
| 1 | POLYSTYRENE | | 3 | POLYSTYRENE | |

| CODE NO. (OLD) | CL | DESIGNED | CHECKED | APPROVED | RELEASED |
|----------------|----|-----------|---------|--------------------|----------|
| | | H.TSUKUMO | | <i>S. Hatanaka</i> | |
| | | D.YAMADA | | | |
| | | 04-06-08 | | 04-06-08 | |

| DRAWING NO. | PART NO. |
|----------------|---------------------|
| EDC3-154339-01 | FH28H-80S-0.5SH(05) |

| SCALE | UNITS | CODE NO. |
|-------|-------|-----------------|
| 2 : 1 | mm | CL586-1805-3-05 |

| | |
|----|--|
| TO | |
| NC | |

X-ON Electronics

Largest Supplier of Electrical and Electronic Components

Click to view similar products for [FFC & FPC Connectors](#) category:

Click to view products by [Hirose](#) manufacturer:

Other Similar products are found below :

[FPH-1422G](#) [FPH-1602G](#) [K-FC20](#) [FH29B-80S-0.2SHW\(99\)](#) [FPH-2022G](#) [AYF332735](#) [52610-1075](#) [52610-1275](#) [52610-1934](#) [501864-3091-TR225](#) [086222026001800](#) [52610-0675](#) [62684-36210E9ALF](#) [52746-1671-TR250](#) [10051922-2810EHLF](#) [6-520415-9](#) [SFV6R-1STE9HLF](#) [XF3M-2915-1B-R100](#) [1658549-1](#) [AYF534065TA](#) [AYF351525](#) [086212040340800+](#) [AYF530365TA](#) [67000-014LF](#) [67000-004LF](#) [006207341915000+](#) [DS1020-19RT1D](#) [67000-003LF](#) [67000-011LF](#) [67000-016LF](#) [HFW14R-2STE9LF](#) [SFV32R-2STBE9HLF](#) [SFW12R-5STE9LF](#) [SFW18R-1STAE9LF](#) [SFW4R-5STE9LF](#) [52807-0430](#) [046283021002868+](#) [THD1015-8CL-SN](#) [67000-006LF](#) [502250-8027](#) [104267-9617](#) [66987-011LF](#) [AYF362535](#) [F0501-T-50-20T-R](#) [F1003-ZV-12-25T-R](#) [HFW8S-2STAE1HLF](#) [67000-008LF](#) [67000-012LF](#) [ECC576069EU](#) [F1002-B-20-20T-R](#)