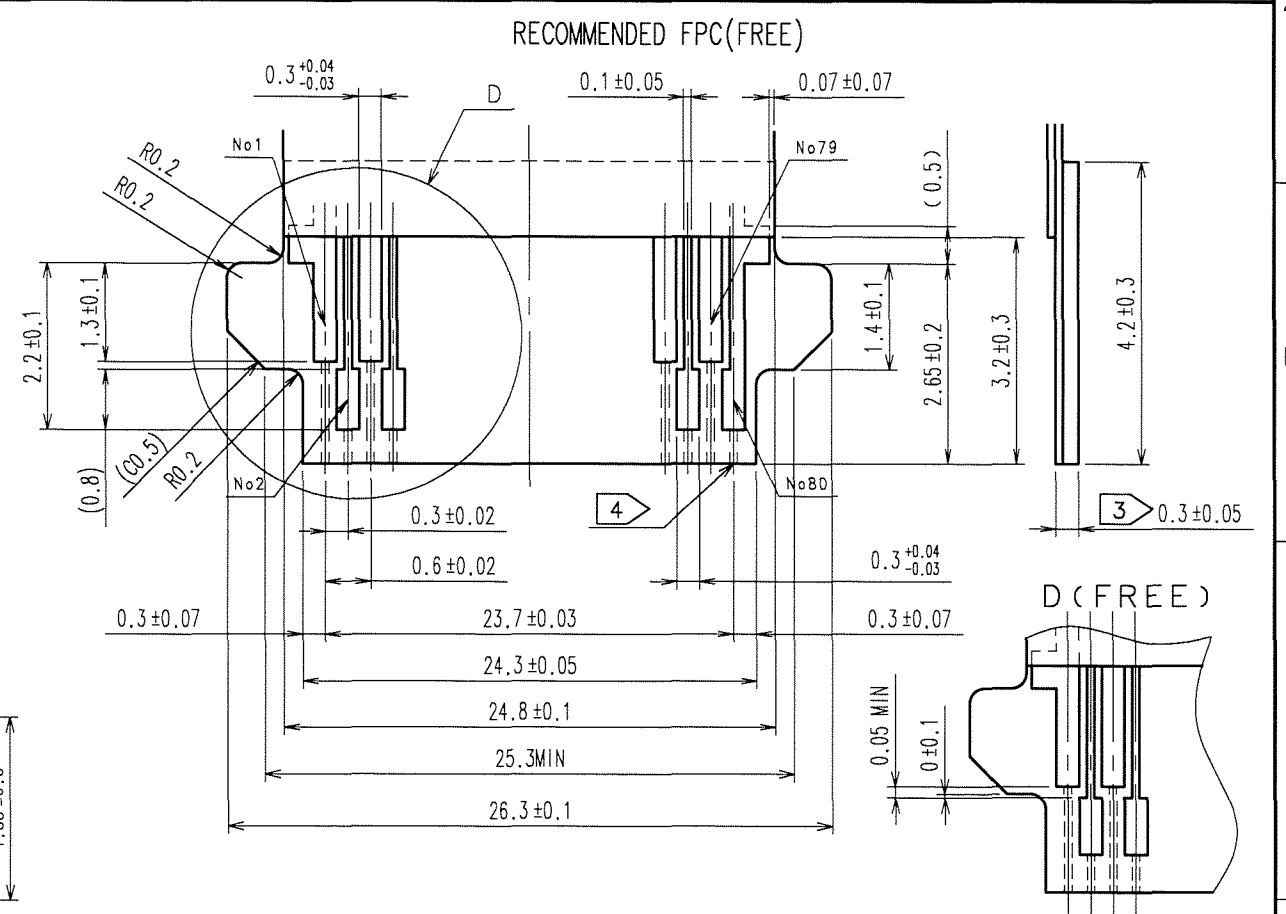
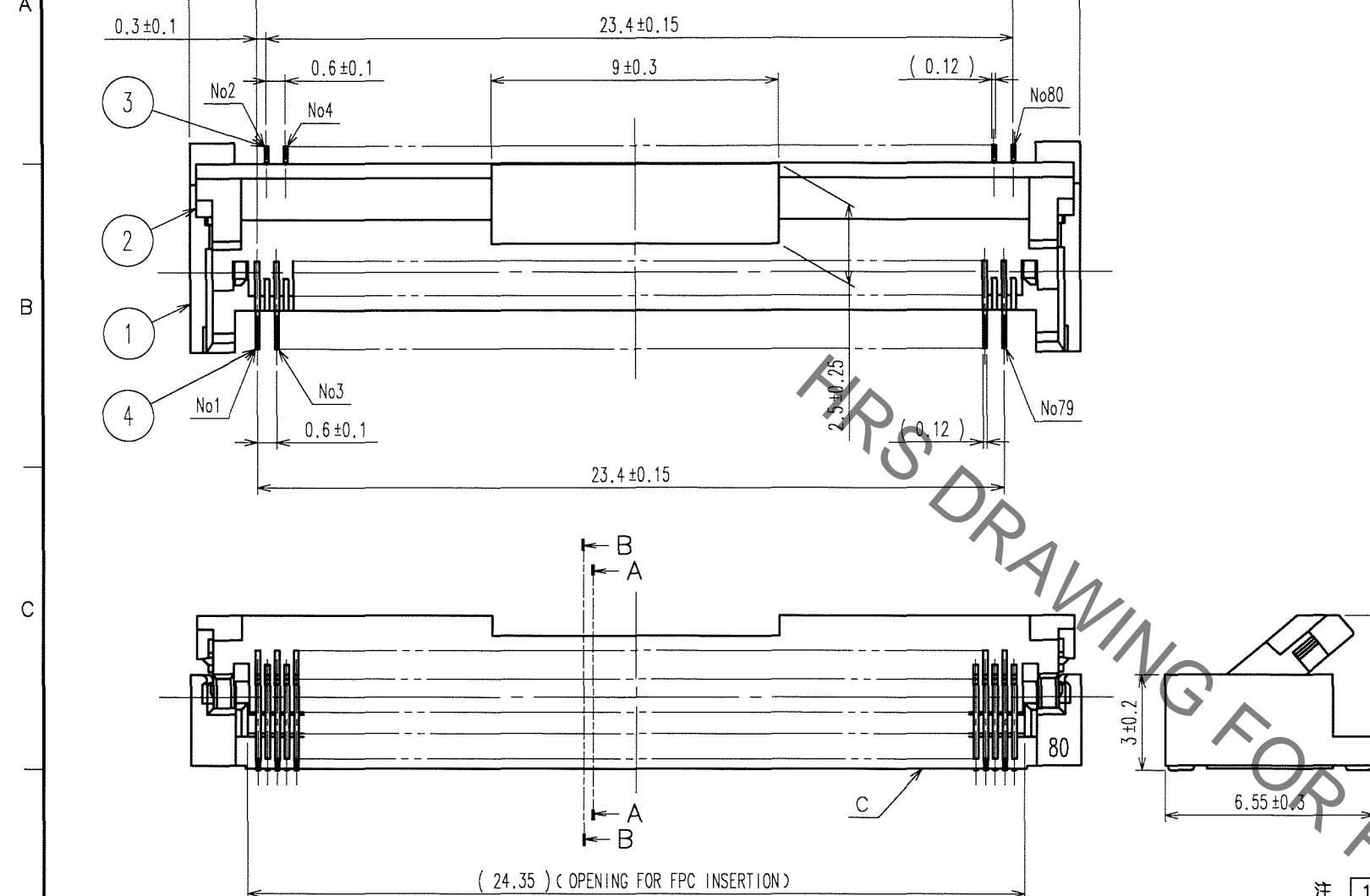
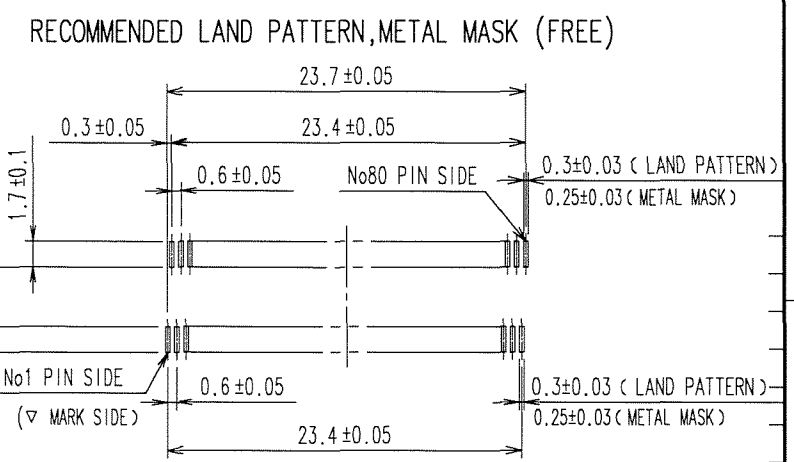


Jan.1.2022 Copyright 2022 HIROSE ELECTRIC CO., LTD. All Rights Reserved.  
In case of consideration for using Automotive equipment / device which demand high reliability, kindly contact our sales window correspondents.

COUNT	DESCRIPTION OF REVISIONS	BY	CHKD	DATE	COUNT	DESCRIPTION OF REVISIONS	BY	CHKD	DATE
△					△				
△					△				
△					△				



- 注
- 1 DIMENSION FROM REFERENCE C
  - 2 LEAD CO-PLANARITY SHALL BE 0.1MAX.
  - 3 STIFFNER MATERIAL: POLYIMIDE, HEAT CURED ADHESIVE. POLYIMIDE THICKNESS OF STIFFNER SINGLE-SIDED FPC: 0.15mm(6mil)MIN DOUBLE-SIDED FPC: 0.125mm(5mil)MIN
  - 4 CONDUCTOR WIDTH SHALL BE 0.1±0.05 IF FPC HAS PLATING BARS.
  - 5 CROSS SECTION A-A IS FOR EVEN-NUMBER PINS, AND CROSS SECTION B-B IS FOR ODD-NUMBER PINS.



\* RECOMMENDED METAL MASK THICKNESS : t=0.15

2	LCP	(BLACK)	UL94V-0	4	PHOSPHOR BRONZE	GOLD FLASH OVER NICKEL 1μm MIN
1	LCP	(GRAY)	UL94V-0	3	PHOSPHOR BRONZE	GOLD FLASH OVER NICKEL 1μm MIN
NO.	MATERIAL	FINISH, REMARKS	NO.	MATERIAL	FINISH, REMARKS	

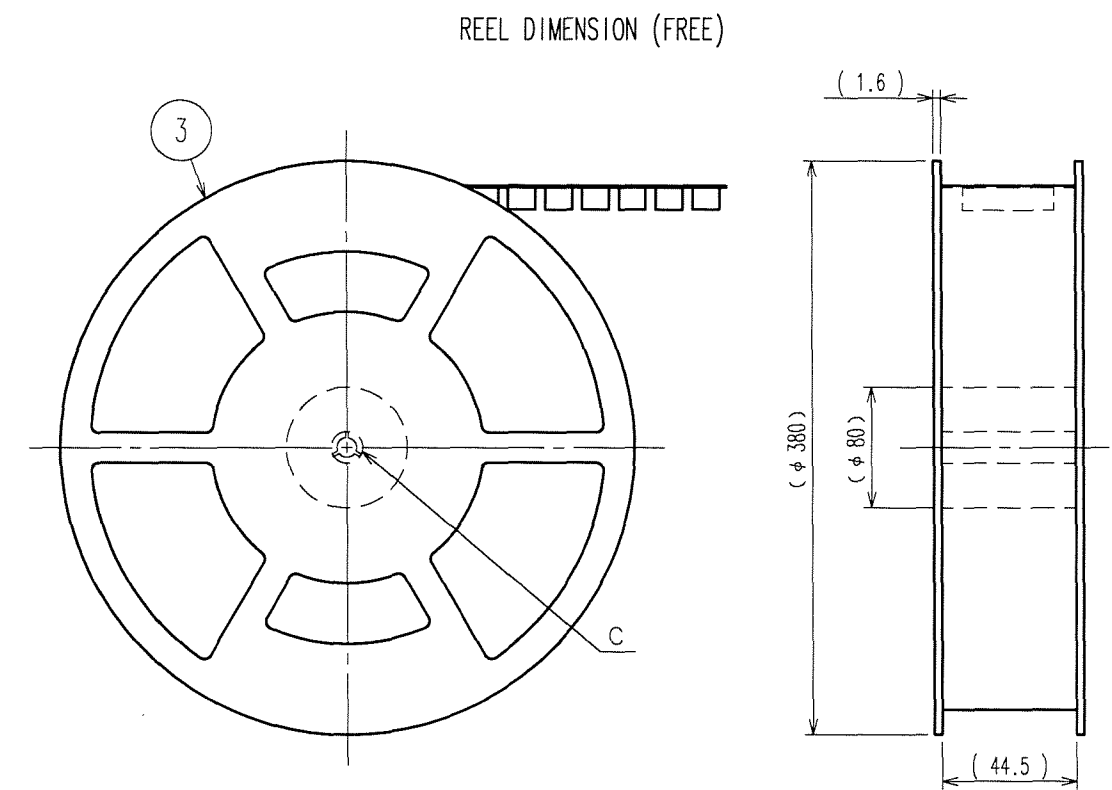
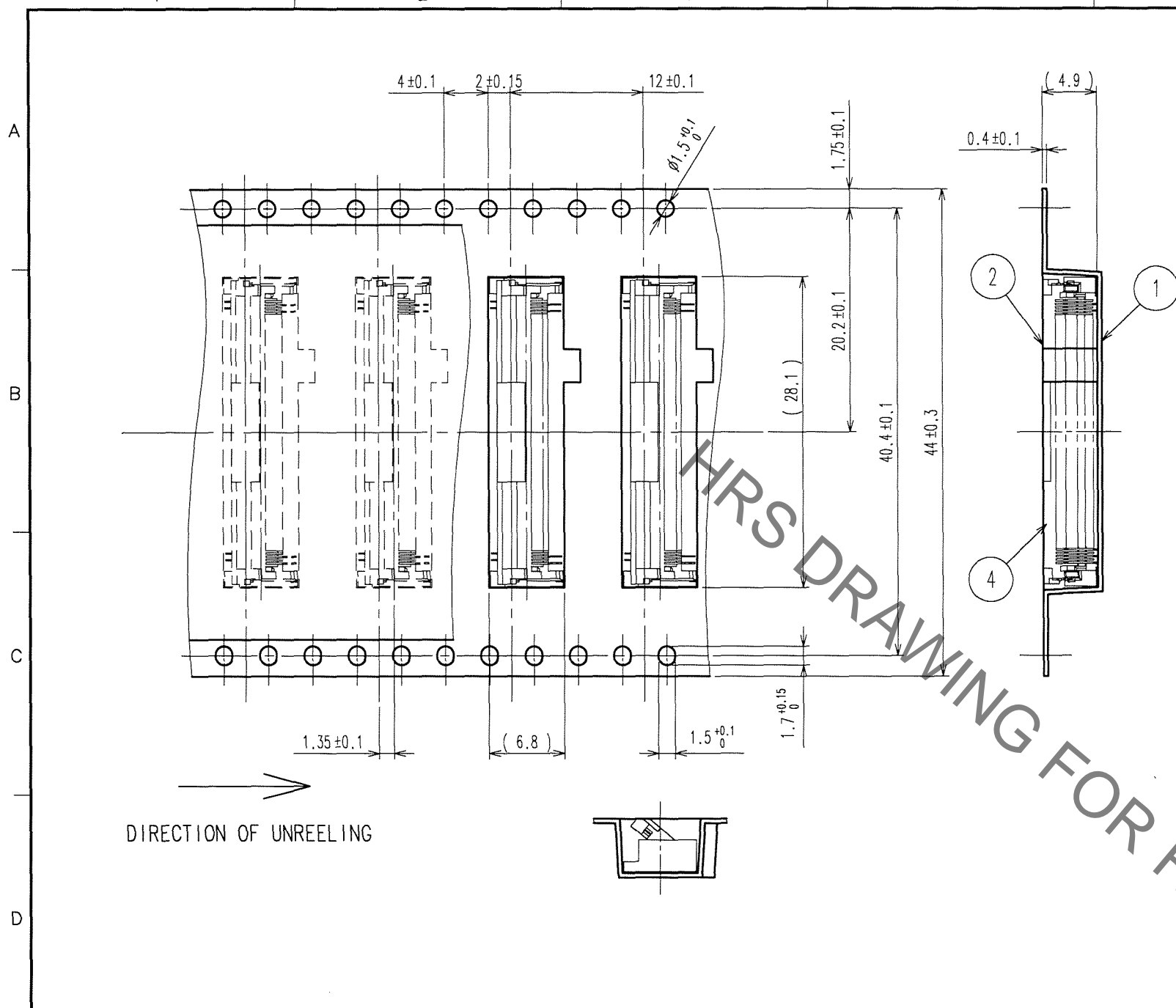
CODE NO. (OLD)	DRAWN	DESIGNED	CHECKED	APPROVED	RELEASED
CL?	MK.YASUMI	<i>Y. Ebi</i>	<i>S. Kuwata</i>	<i>R. Tabayon</i>	
	06.04.25	06.04.27	06.04.27	06.04.27	

SCALE	DRAWING NO.	PART NO.
5 : 1	EDC3-154192-01	FH30-80S-0.3SHW(05)
UNITS	HIROSE ELECTRIC CO., LTD	CODE NO.
mm		CL580-0100-4-05

TO
NC
IDN

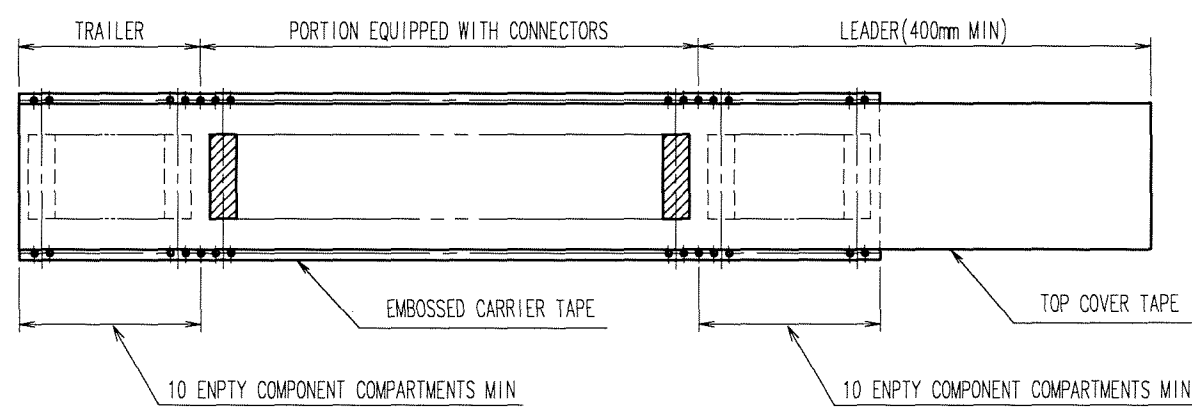
Jan.1.2022 Copyright 2022 HIROSE ELECTRIC CO., LTD. All Rights Reserved.  
In case of consideration for using Automotive equipment / device which demand high reliability, kindly contact our sales window correspondents.

COUNT	DESCRIPTION OF REVISIONS	BY	CHKD	DATE	COUNT	DESCRIPTION OF REVISIONS	BY	CHKD	DATE



HRS DRAWING FOR REFERENCE

注 1 PER REEL : 1000 CONNECTORS.  
2 REFER TO JIS C 0806 (PACKAGING OF COMPONENTS FOR AUTOMATIC HANDLING.)



2	POLYESTER		4	(CONNECTOR)	
1	POLYSTYRENE		3	POLYSTYRENE	
NO.	MATERIAL	FINISH, REMARKS	NO.	MATERIAL	FINISH, REMARKS
CODE NO. (OLD) CL?		DRAWN MK.YASUMI 06.04.25	DESIGNED Y. Ebi 06.04.27	CHECKED T. Kuwata 06.04.27	APPROVED R. Takayama 06.04.27
PACKAGING SPECIFICATION		PART NO. FH30-80S-0.3SHW(05)		RELEASED	
DRAWING NO. EDC3-154192-01		PART NO. FH30-80S-0.3SHW(05)		CODE NO. CL580-0100-4-05	
SCALE 2 : 1		HRS HIROSE ELECTRIC CO., LTD		2	

TO
NC
IDN

## X-ON Electronics

Largest Supplier of Electrical and Electronic Components

*Click to view similar products for [FFC & FPC Connectors](#) category:*

*Click to view products by [Hirose](#) manufacturer:*

Other Similar products are found below :

[K-FC20](#) [FH29B-80S-0.2SHW\(99\)](#) [FPH-2022G](#) [AYF332735](#) [52610-1075](#) [52610-1275](#) [52610-1934](#) [501864-3091-TR225](#) [086222026001800](#)  
[52610-0675](#) [62684-36210E9ALF](#) [52746-1671-TR250](#) [10051922-2810EHLF](#) [6-520415-9](#) [SFV6R-1STE9HLF](#) [XF3M-2915-1B-R100](#)  
[1658549-1](#) [46214008010800](#) [AYF534065TA](#) [AYF351525](#) [086212040340800+](#) [AYF530365TA](#) [67000-014LF](#) [67000-004LF](#)  
[006207341915000+](#) [DS1020-19RT1D](#) [67000-003LF](#) [67000-011LF](#) [67000-016LF](#) [HFW14R-2STE9LF](#) [SFV32R-2STBE9HLF](#) [SFW12R-](#)  
[5STE9LF](#) [SFW18R-1STAE9LF](#) [SFW4R-5STE9LF](#) [52807-0430](#) [046283021002868+](#) [THD1015-8CL-SN](#) [67000-006LF](#) [502250-8027](#)  
[104267-9617](#) [66987-011LF](#) [AYF362535](#) [F0501-T-50-20T-R](#) [HFW8S-2STAE1HLF](#) [67000-008LF](#) [67000-012LF](#) [ECC576069EU](#) [F1002-B-](#)  
[20-20T-R](#) [HFW15S-2STAE1HLF](#) [0781271110](#)