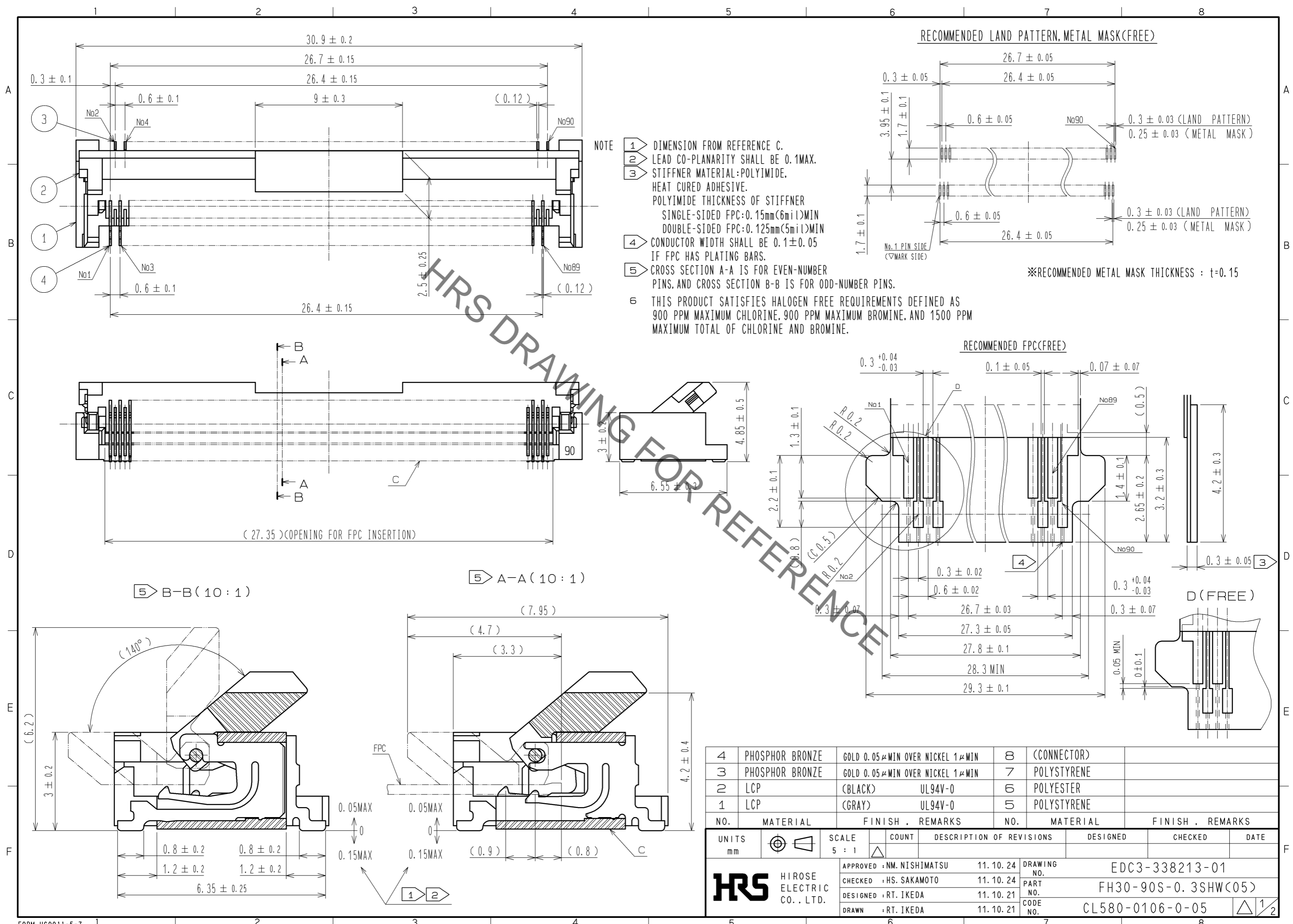


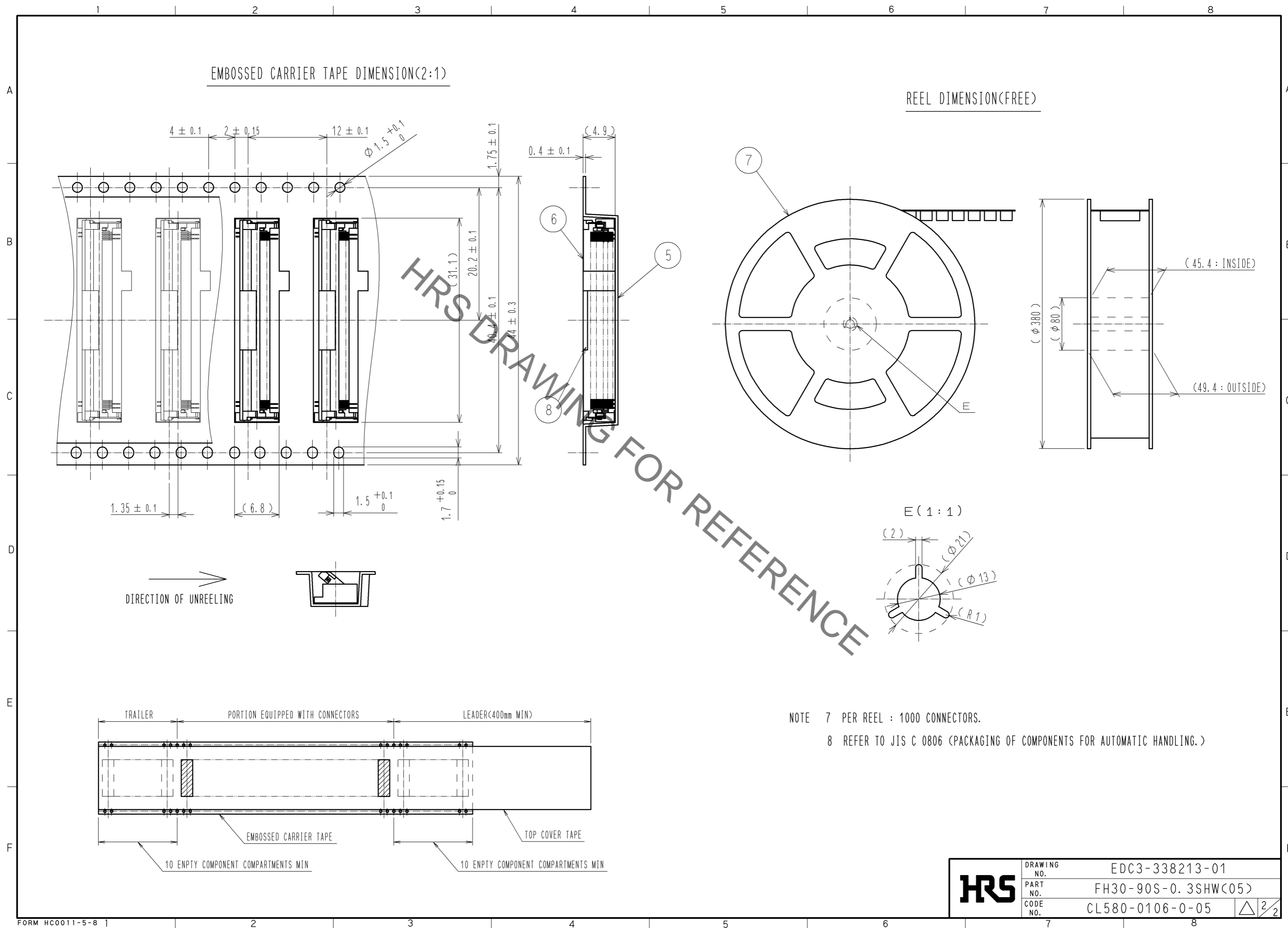
Jan.1.2022 Copyright 2022 HIROSE ELECTRIC CO., LTD. All Rights Reserved.  
 In case of consideration for using Automotive equipment / device which demand high reliability, kindly contact our sales window correspondents.



- NOTE
- 1 DIMENSION FROM REFERENCE C.
  - 2 LEAD CO-PLANARITY SHALL BE 0.1MAX.
  - 3 STIFFNER MATERIAL: POLYIMIDE, HEAT CURED ADHESIVE. POLYIMIDE THICKNESS OF STIFFNER  
 SINGLE-SIDED FPC: 0.15mm(6mil)MIN  
 DOUBLE-SIDED FPC: 0.125mm(5mil)MIN
  - 4 CONDUCTOR WIDTH SHALL BE 0.1 ± 0.05 IF FPC HAS PLATING BARS.
  - 5 CROSS SECTION A-A IS FOR EVEN-NUMBER PINS, AND CROSS SECTION B-B IS FOR ODD-NUMBER PINS.
  - 6 THIS PRODUCT SATISFIES HALOGEN FREE REQUIREMENTS DEFINED AS 900 PPM MAXIMUM CHLORINE, 900 PPM MAXIMUM BROMINE, AND 1500 PPM MAXIMUM TOTAL OF CHLORINE AND BROMINE.

4	PHOSPHOR BRONZE	GOLD 0.05 μMIN OVER NICKEL 1 μMIN	8	(CONNECTOR)				
3	PHOSPHOR BRONZE	GOLD 0.05 μMIN OVER NICKEL 1 μMIN	7	POLYSTYRENE				
2	LCP	(BLACK) UL94V-0	6	POLYESTER				
1	LCP	(GRAY) UL94V-0	5	POLYSTYRENE				
NO.	MATERIAL	FINISH . REMARKS	NO.	MATERIAL	FINISH . REMARKS			
UNITS	mm	SCALE	5 : 1	COUNT	DESCRIPTION OF REVISIONS	DESIGNED	CHECKED	DATE
APPROVED : NM. NISHIMATSU		11.10.24		DRAWING NO.		EDC3-338213-01		
CHECKED : HS. SAKAMOTO		11.10.24		PART NO.		FH30-90S-0.3SHW(05)		
DESIGNED : RT. IKEDA		11.10.21		CODE NO.		CL580-0106-0-05		
DRAWN : RT. IKEDA		11.10.21				1/2		

Jan.1.2022 Copyright 2022 HIROSE ELECTRIC CO., LTD. All Rights Reserved.  
 In case of consideration for using Automotive equipment / device which demand high reliability, kindly contact our sales window correspondents.



EMBOSSED CARRIER TAPE DIMENSION(2:1)

REEL DIMENSION(FREE)

DIRECTION OF UNREELING

E (1:1)

NOTE 7 PER REEL : 1000 CONNECTORS.

8 REFER TO JIS C 0806 (PACKAGING OF COMPONENTS FOR AUTOMATIC HANDLING.)

<b>HRS</b>	DRAWING NO.	EDC3-338213-01
	PART NO.	FH30-90S-0.3SHW(C05)
	CODE NO.	CL580-0106-0-05
		△ 2/2

## X-ON Electronics

Largest Supplier of Electrical and Electronic Components

*Click to view similar products for [FFC & FPC Connectors](#) category:*

*Click to view products by [Hirose](#) manufacturer:*

Other Similar products are found below :

[K-FC20](#) [FH29B-80S-0.2SHW\(99\)](#) [FPH-2022G](#) [AYF332735](#) [52610-1075](#) [52610-1275](#) [52610-1934](#) [501864-3091-TR225](#) [086222026001800](#)  
[52610-0675](#) [62684-36210E9ALF](#) [52746-1671-TR250](#) [10051922-2810EHLF](#) [6-520415-9](#) [SFV6R-1STE9HLF](#) [XF3M-2915-1B-R100](#)  
[1658549-1](#) [46214008010800](#) [AYF534065TA](#) [AYF351525](#) [086212040340800+](#) [AYF530365TA](#) [67000-014LF](#) [67000-004LF](#)  
[006207341915000+](#) [DS1020-19RT1D](#) [67000-003LF](#) [67000-011LF](#) [67000-016LF](#) [HFW14R-2STE9LF](#) [SFV32R-2STBE9HLF](#) [SFW12R-](#)  
[5STE9LF](#) [SFW18R-1STAE9LF](#) [SFW4R-5STE9LF](#) [52807-0430](#) [046283021002868+](#) [THD1015-8CL-SN](#) [67000-006LF](#) [502250-8027](#)  
[104267-9617](#) [66987-011LF](#) [AYF362535](#) [F0501-T-50-20T-R](#) [HFW8S-2STAE1HLF](#) [67000-008LF](#) [67000-012LF](#) [ECC576069EU](#) [F1002-B-](#)  
[20-20T-R](#) [HFW15S-2STAE1HLF](#) [0781271110](#)