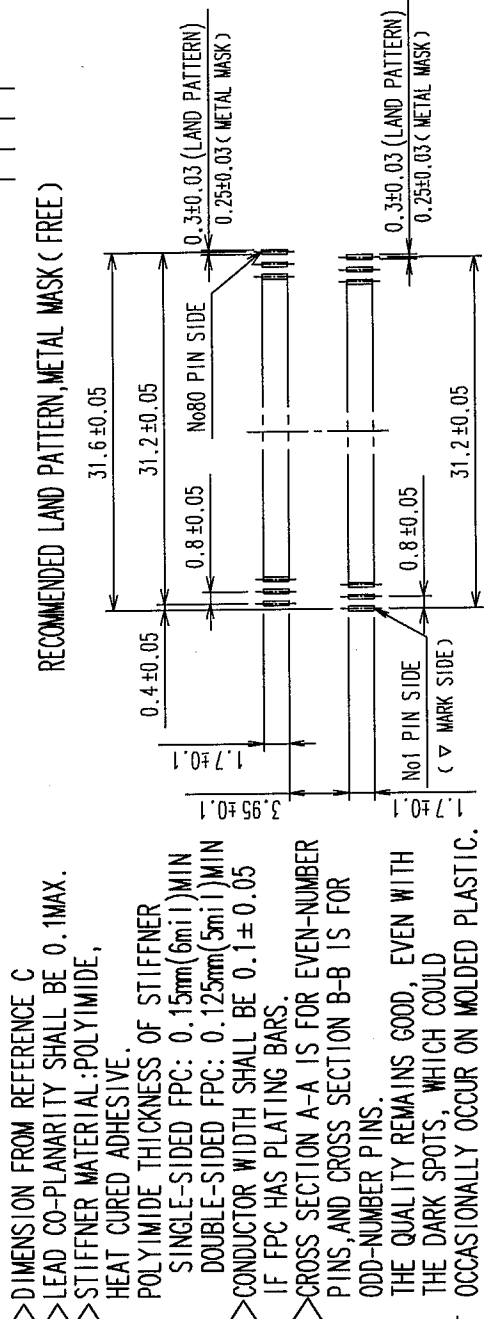
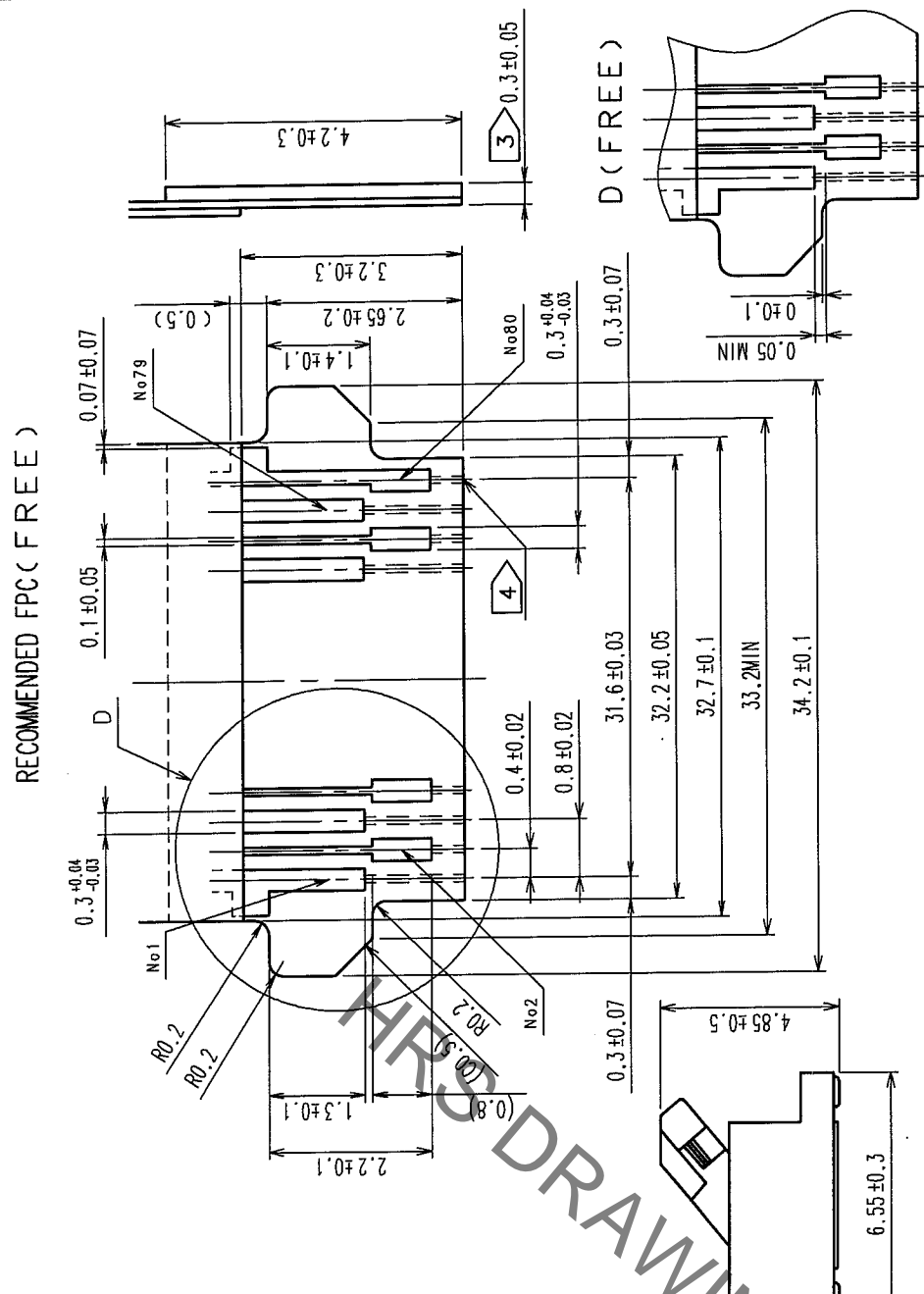


Jan. 1. 2022 Copyright 2022 HIROSE ELECTRIC CO., LTD. All Rights Reserved.  
 2 In case of consideration for using Automotive equipment / device which demand high reliability, kindly contact our sales window correspondents.

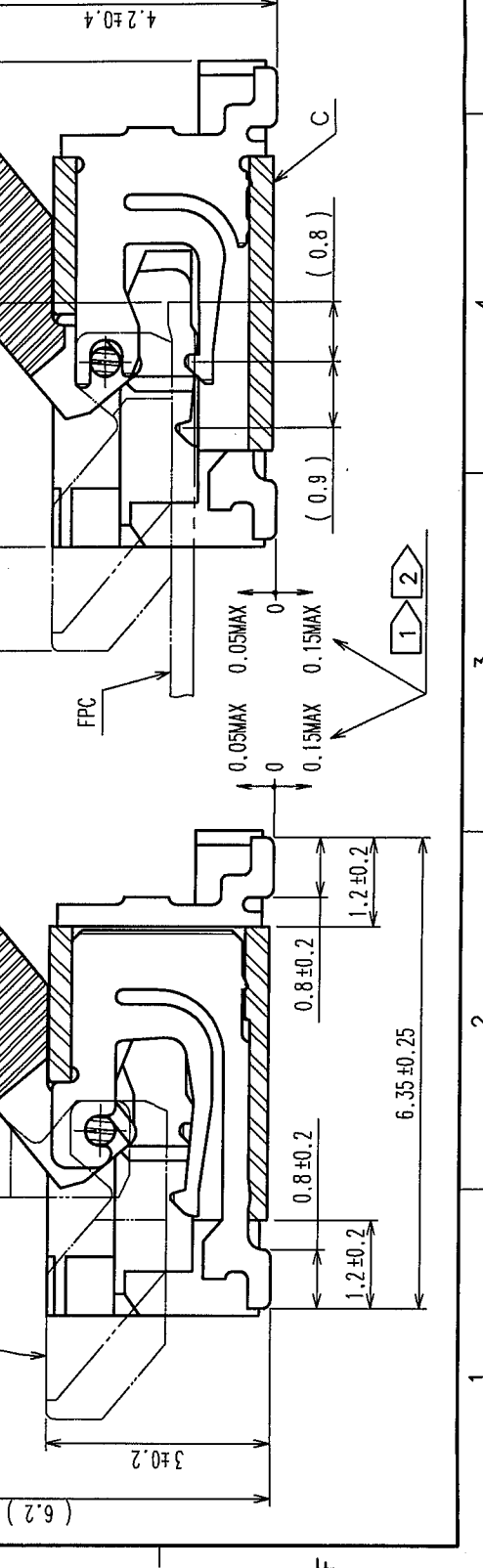
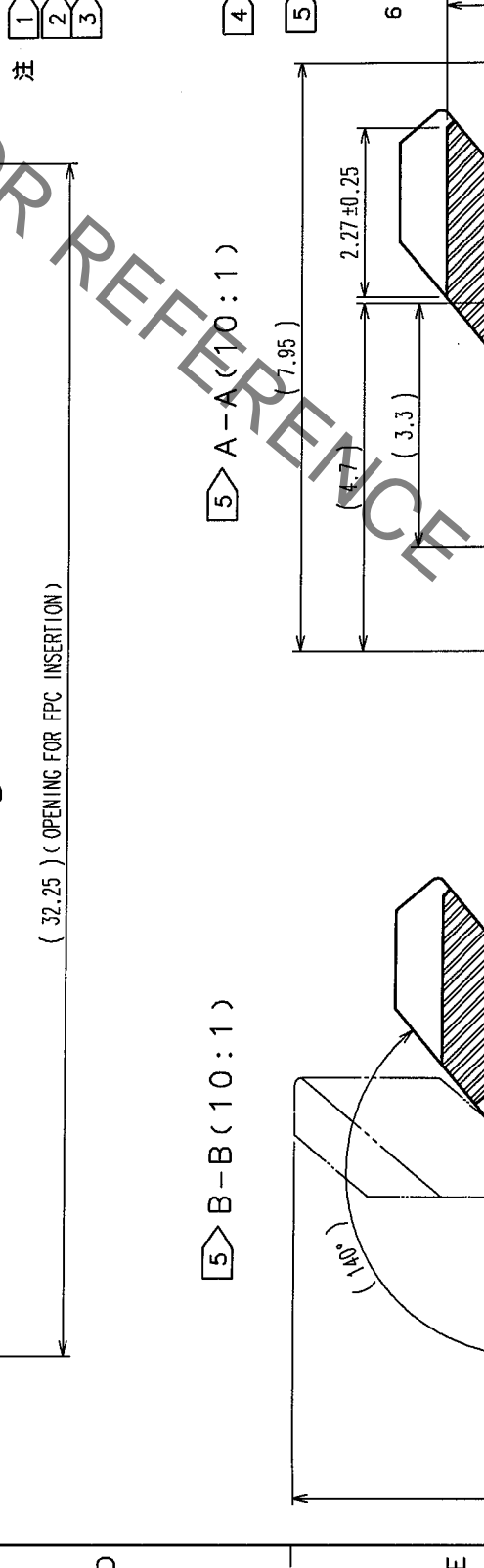
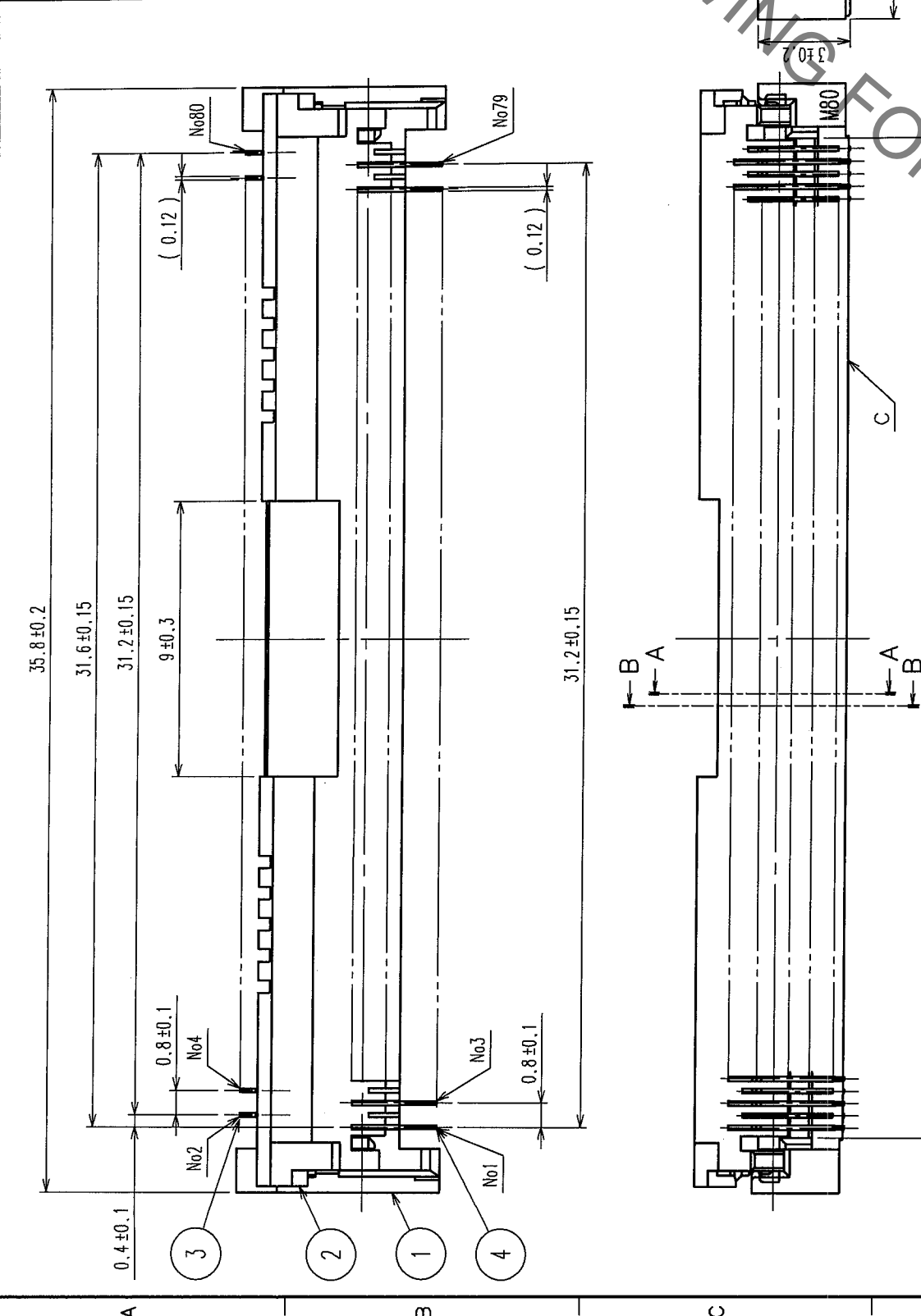
COUNT	DESCRIPTION OF REVISIONS	BY	CHKD	DATE	COUNT	DESCRIPTION OF REVISIONS	BY	CHKD	DATE
△					△				
△					△				
△					△				



NO.	MATERIAL	FINISH, REMARKS	NO.	MATERIAL	FINISH, REMARKS
2	LCP (BLACK)	UL94V-0	4	PHOSPHOR BRONZE	GOLD FLASH OVER NICKEL 1μm MIN
1	LCP (BEIGE)	UL94V-0	3	PHOSPHOR BRONZE	GOLD FLASH OVER NICKEL 1μm MIN

DRAWN	DESIGNED	CHECKED	APPROVED	RELEASED
Y. Ebi	T. Muraw	T. Kuwata	R. Takayan	
DATE: 04.10.15				
PART NO. FH30M-80S-0.4SHW(05)				

DRAWING NO.	EDC3-155101-01
SCALE	5 : 1
UNITS	mm
CODE NO.	CL580-0102-0-05
FORM NO.	8

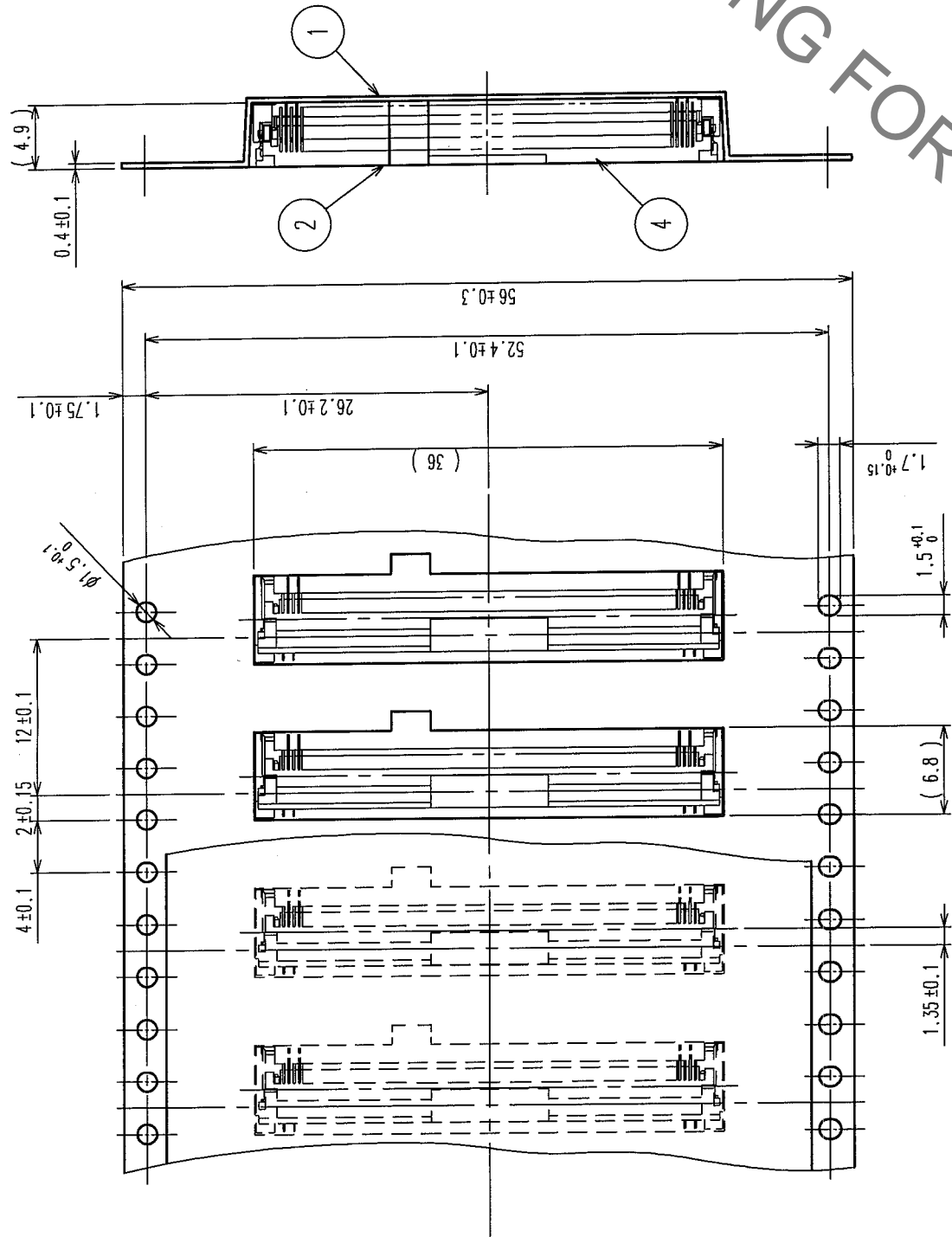


注  
 ① DIMENSION FROM REFERENCE C  
 ② LEAD CO-PLANARITY SHALL BE 0.1MAX.  
 ③ STIFFENER MATERIAL: POLYIMIDE, HEAT CURED ADHESIVE.  
 POLYIMIDE THICKNESS OF STIFFENER  
 SINGLE-SIDED FPC: 0.15mm (6mil) MIN  
 DOUBLE-SIDED FPC: 0.125mm (5mil) MIN  
 ④ CONDUCTOR WIDTH SHALL BE 0.1±0.05 IF FPC HAS PLATING BARS.  
 ⑤ CROSS SECTION A-A IS FOR EVEN-NUMBER PINS AND CROSS SECTION B-B IS FOR ODD-NUMBER PINS.  
 THE QUALITY REMAINS GOOD, EVEN WITH THE DARK SPOTS, WHICH COULD OCCASIONALLY OCCUR ON MOLDED PLASTIC.

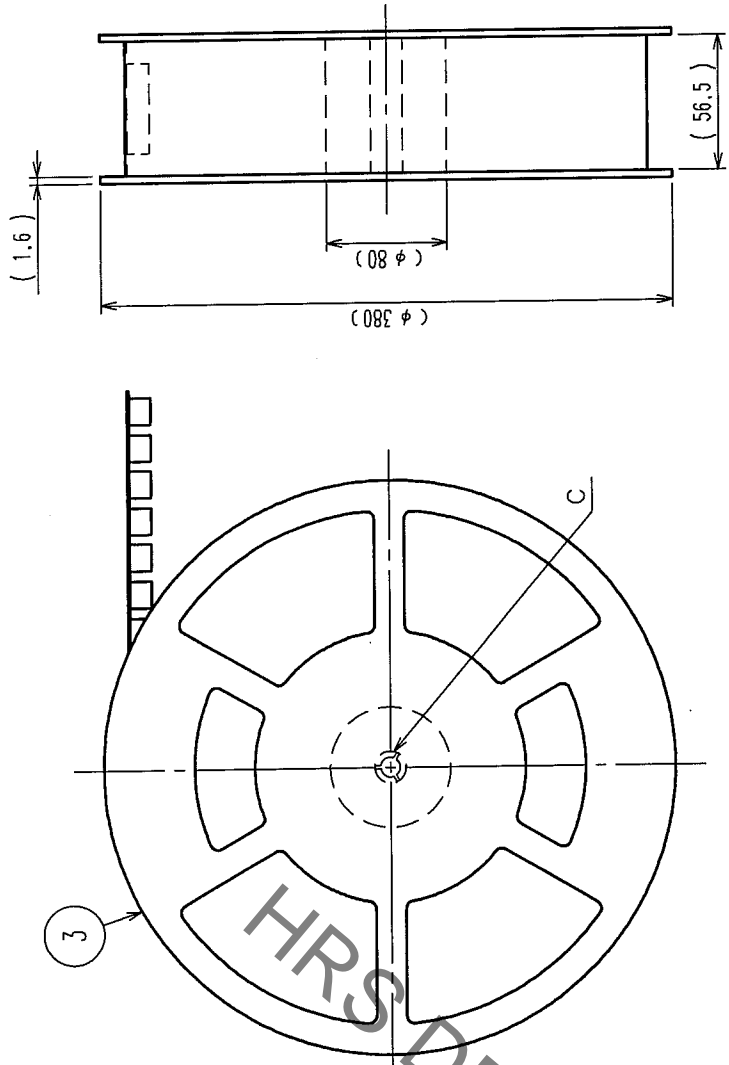
TO	NC	IDN
----	----	-----

In case of consideration for using Automotive equipment / device which demand high reliability, kindly contact our sales window correspondents.

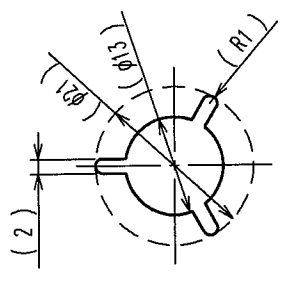
COUNT	DESCRIPTION OF REVISIONS	BY	CHKD	DATE	COUNT	DESCRIPTION OF REVISIONS	BY	CHKD	DATE



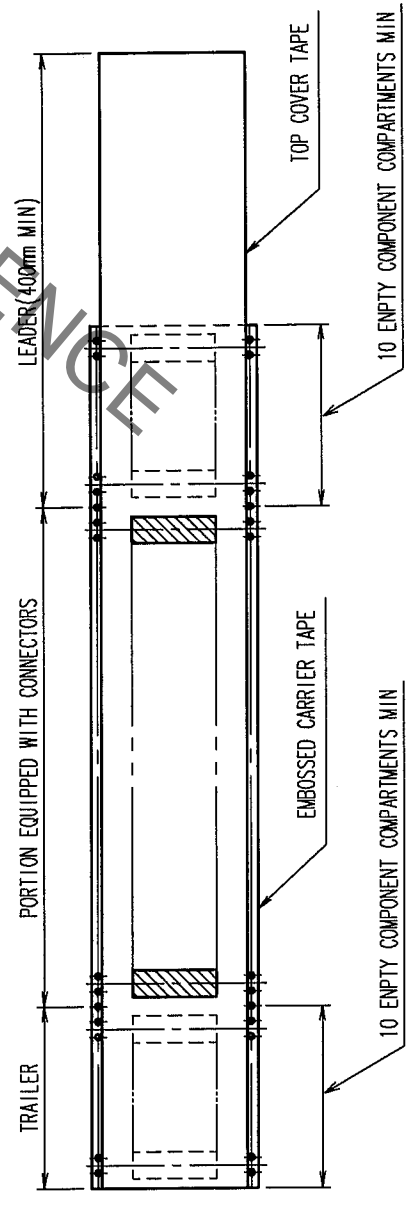
REEL DIMENSION (FREE)



C (1:1)



↑  
DIRECTION OF UNREELING



- 注 1 PER REEL : 1000 CONNECTORS.
- 注 2 REFER TO JIS C 0806 (PACKAGING OF COMPONENTS FOR AUTOMATIC HANDLING.)

NO.	MATERIAL	FINISH, REMARKS	NO.	MATERIAL	FINISH, REMARKS
2	POLYESTER		4	(CONNECTOR)	
1	POLYSTYRENE		3	POLYSTYRENE	

CODE NO. (OLD)	CL	PACKAGING SPECIFICATION	DRAWN	DESIGNED	CHECKED	APPROVED	RELEASED
			Y. Ebi	J. Murai	J. Kuwata	R. Takayanagi	
			04.10.15	04.10.19	04.10.19	04.10.19	

DRAWING NO.	PART NO.
EDC3-155101-01	FH30M-80S-0.4SHW(05)

SCALE	UNITS	CODE NO.
2 : 1	mm	CL580-0102-0-05

TO	NC	IDN
----	----	-----

## X-ON Electronics

Largest Supplier of Electrical and Electronic Components

*Click to view similar products for [FFC & FPC Connectors](#) category:*

*Click to view products by [Hirose](#) manufacturer:*

Other Similar products are found below :

[K-FC20](#) [FH29B-80S-0.2SHW\(99\)](#) [FPH-2022G](#) [AYF332735](#) [52610-1075](#) [52610-1275](#) [52610-1934](#) [501864-3091-TR225](#) [086222026001800](#)  
[52610-0675](#) [62684-36210E9ALF](#) [52746-1671-TR250](#) [10051922-2810EHLF](#) [6-520415-9](#) [SFV6R-1STE9HLF](#) [XF3M-2915-1B-R100](#)  
[1658549-1](#) [46214008010800](#) [AYF534065TA](#) [AYF351525](#) [086212040340800+](#) [AYF530365TA](#) [67000-014LF](#) [67000-004LF](#)  
[006207341915000+](#) [DS1020-19RT1D](#) [67000-003LF](#) [67000-011LF](#) [67000-016LF](#) [HFW14R-2STE9LF](#) [SFV32R-2STBE9HLF](#) [SFW12R-](#)  
[5STE9LF](#) [SFW18R-1STAE9LF](#) [SFW4R-5STE9LF](#) [52807-0430](#) [046283021002868+](#) [THD1015-8CL-SN](#) [67000-006LF](#) [502250-8027](#)  
[104267-9617](#) [66987-011LF](#) [AYF362535](#) [F0501-T-50-20T-R](#) [HFW8S-2STAE1HLF](#) [67000-008LF](#) [67000-012LF](#) [ECC576069EU](#) [F1002-B-](#)  
[20-20T-R](#) [HFW15S-2STAE1HLF](#) [0781271110](#)