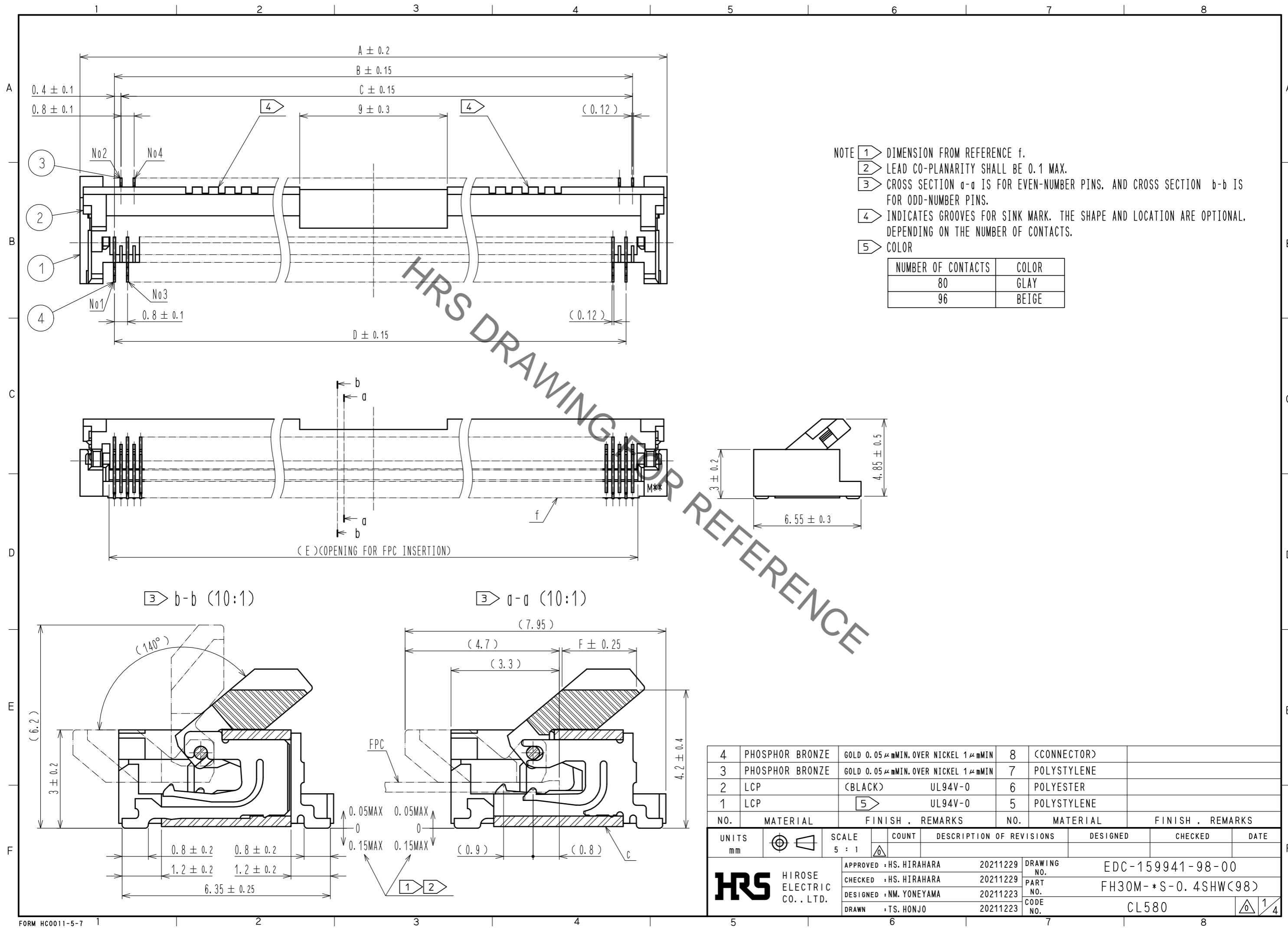


Mar.1.2022 Copyright 2022 HIROSE ELECTRIC CO., LTD. All Rights Reserved.  
In case of consideration for using Automotive equipment / device which demand high reliability, kindly contact our sales window correspondents.



- NOTE
- 1 DIMENSION FROM REFERENCE f.
  - 2 LEAD CO-PLANARITY SHALL BE 0.1 MAX.
  - 3 CROSS SECTION a-a IS FOR EVEN-NUMBER PINS, AND CROSS SECTION b-b IS FOR ODD-NUMBER PINS.
  - 4 INDICATES GROOVES FOR SINK MARK. THE SHAPE AND LOCATION ARE OPTIONAL, DEPENDING ON THE NUMBER OF CONTACTS.
  - 5 COLOR

NUMBER OF CONTACTS	COLOR
80	GRAY
96	BEIGE

NO.	MATERIAL	FINISH .	REMARKS	NO.	MATERIAL	FINISH .	REMARKS
4	PHOSPHOR BRONZE	GOLD 0.05 μMIN. OVER NICKEL 1 μMIN	8	(CONNECTOR)			
3	PHOSPHOR BRONZE	GOLD 0.05 μMIN. OVER NICKEL 1 μMIN	7	POLYSTYLENE			
2	LCP	(BLACK)	6	POLYESTER			
1	LCP	5	5	POLYSTYLENE			

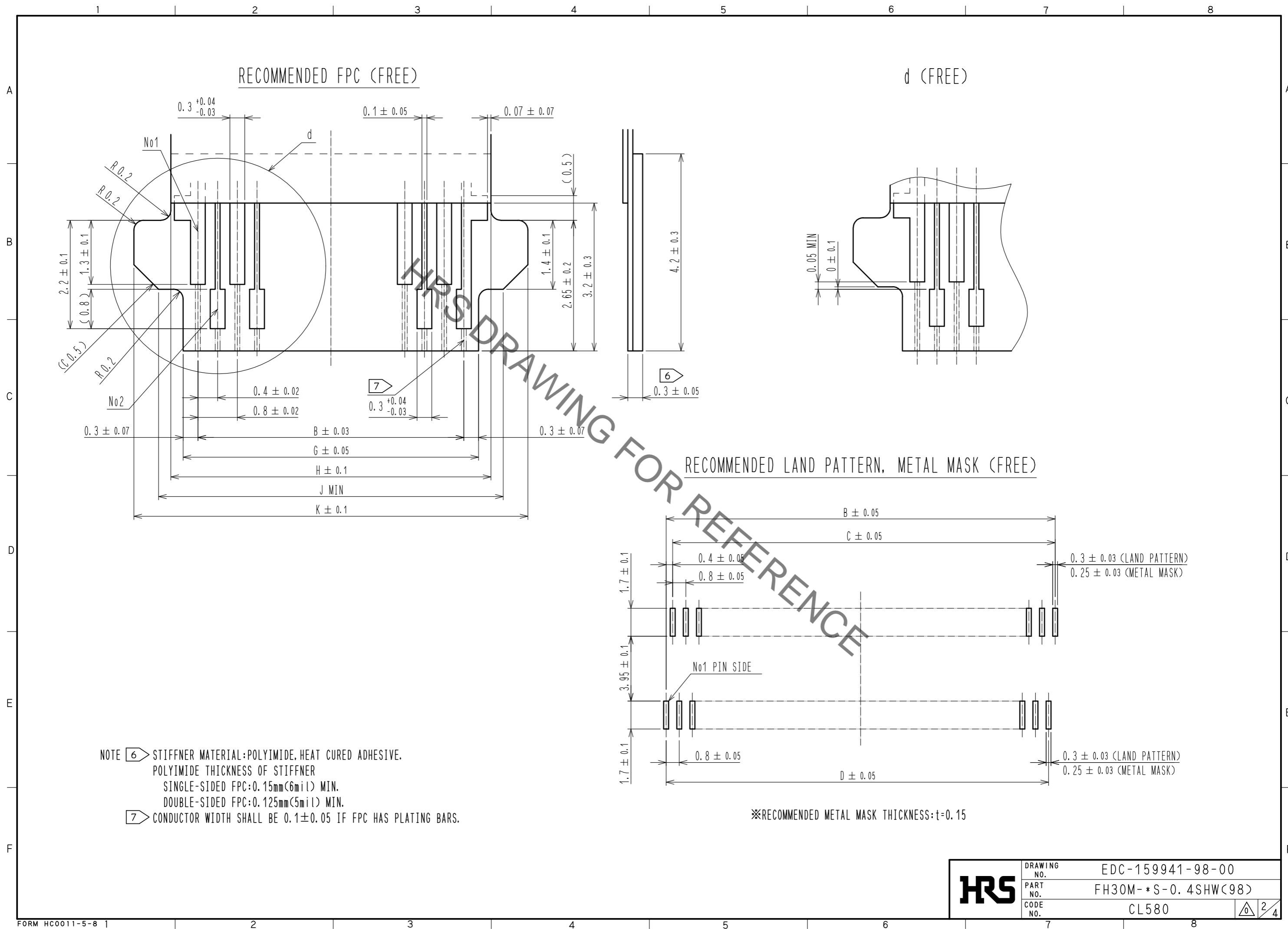
  

UNITS	SCALE	COUNT	DESCRIPTION OF REVISIONS	DESIGNED	CHECKED	DATE
mm	5 : 1	△				

<b>HRS</b> HIROSE ELECTRIC CO., LTD.	APPROVED : HS. HIRAHARA	20211229	DRAWING NO.	EDC-159941-98-00
	CHECKED : HS. HIRAHARA	20211229	PART NO.	FH30M-*S-0.4SHW(98)
	DESIGNED : NM. YONEYAMA	20211223	CODE NO.	CL580
	DRAWN : TS. HONJO	20211223		

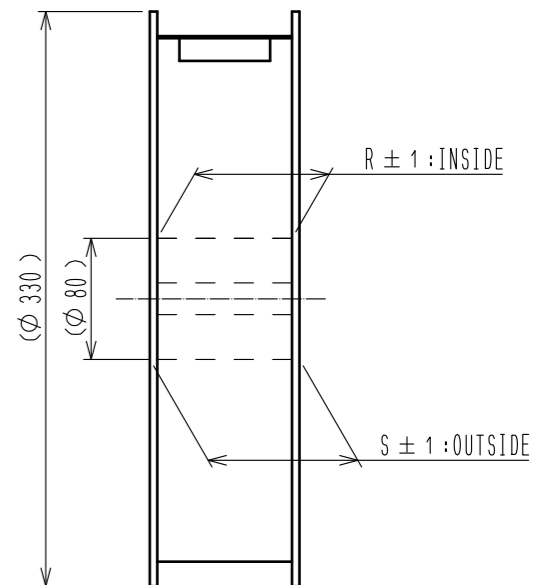
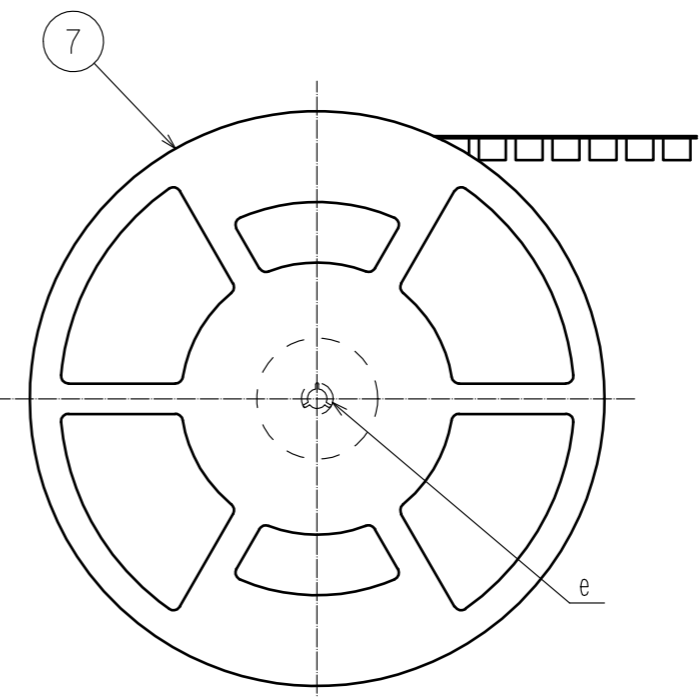
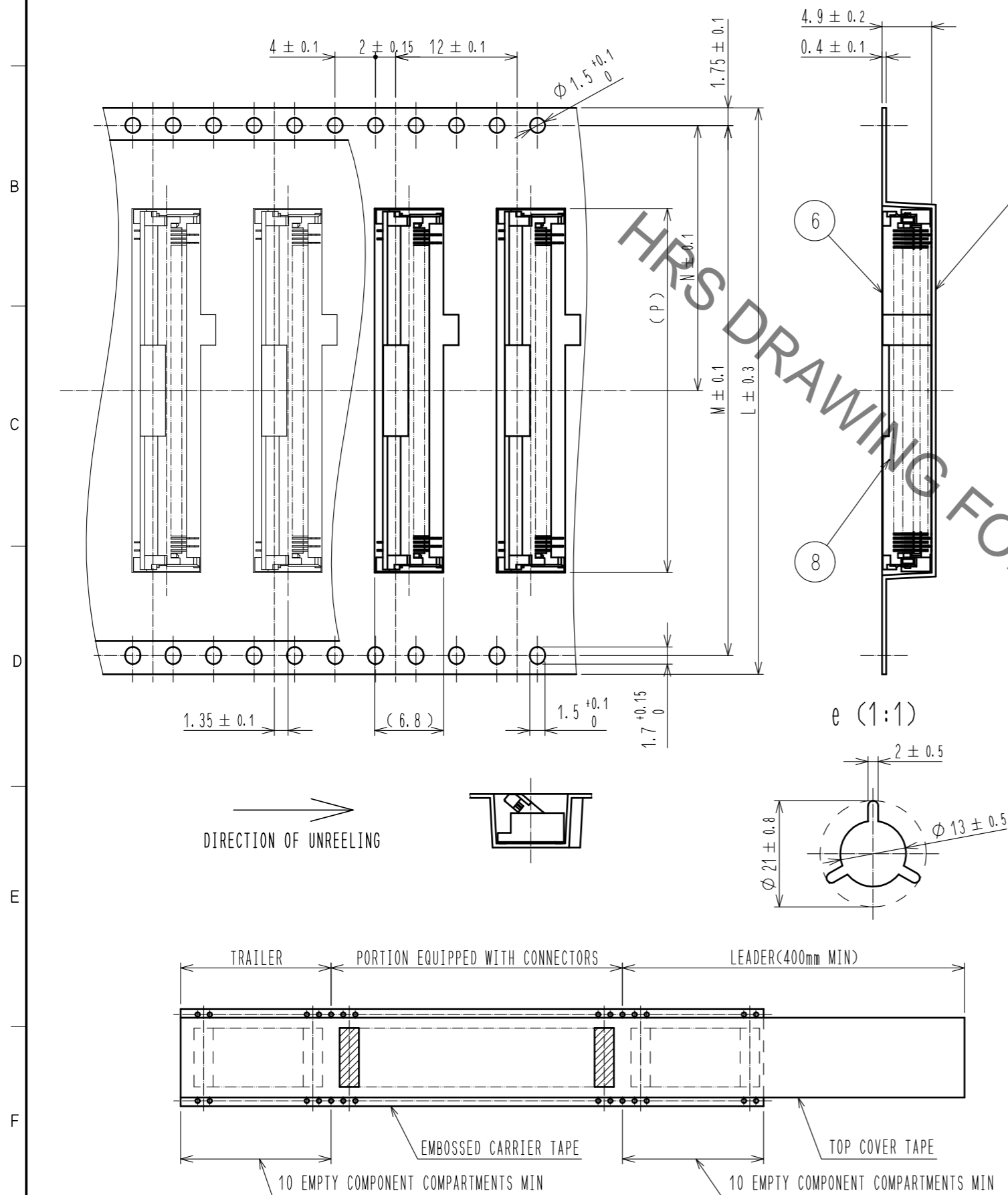
Mar.1.2022 Copyright 2022 HIROSE ELECTRIC CO., LTD. All Rights Reserved.  
 In case of consideration for using Automotive equipment / device which demand high reliability, kindly contact our sales window correspondents.



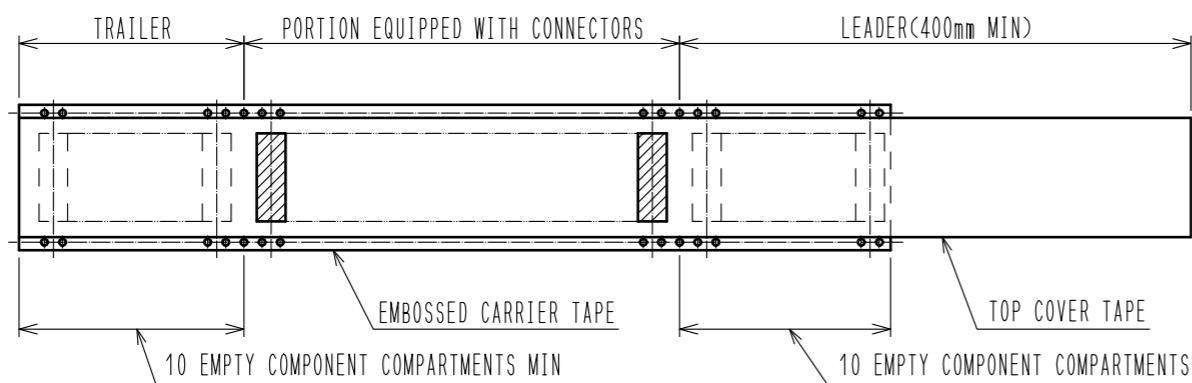
Mar.1.2022 Copyright 2022 HIROSE ELECTRIC CO., LTD. All Rights Reserved.  
 In case of consideration for using Automotive equipment / device which demand high reliability, kindly contact our sales window correspondents.

EMBOSSED CARRIER TAPE DIMENSION (2:1)

REEL DIMENSION (FREE)



- NOTE 8 THE DIMENSIONS IN PARENTHESES ARE FOR REFERENCE.  
 9 TOP COVER TAPE SHALL WITHSTAND TENSILE FORCE OF 10N.  
 10 TOP COVER TAPE PEELING FORCE TO BE BETWEEN 0.1 TO 1.3N FOR REFERENCE.  
 11 MINIMUM BENDING RADIUS OF THE EMBOSSED CARRIER TAPE TO BE 50mm.  
 12 NO MISSING COMPONENTS NOR MISTAKES IN TAPING.  
 13 PER REEL : 500 CONNECTORS.  
 14 REFER TO JIS C 0806 AND IEC 60286-3. (PACKAGING OF COMPONENTS FOR AUTOMATIC HANDLING)



DRAWING FOR PACKING

<b>HRS</b>	DRAWING NO.	EDC-159941-98-00
	PART NO.	FH30M-*S-0.4SHW(98)
	CODE NO.	CL580
		3/4

Mar.1.2022 Copyright 2022 HIROSE ELECTRIC CO., LTD. All Rights Reserved.  
In case of consideration for using Automotive equipment / device which demand high reliability, kindly contact our sales window correspondents.

CONNECTOR, FPC, LAND PATTERN, METAL MASK DIMENSION

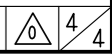
PART NO.	CODE NO.	NUMBER OF CONTACT	A	B	C	D	E	F	G	H	J	K
FH30M-80S-0.4SHW(98)	CL0580-0102-0-98	80	35.8	31.6	31.2	31.2	32.25	2.27	32.2	32.7	33.2	34.2
FH30M-96S-0.4SHW(98)	CL0580-0103-2-98	96	42.2	38	37.6	37.6	38.65	2.02	38.6	39.1	39.6	40.6

PACKING DIMENSION

PART NO.	CODE NO.	NUMBER OF CONTACT	L	M	N	P	R	S
FH30M-80S-0.4SHW(98)	CL0580-0102-0-98	80	56	52.4	26.2	36	57.4	61.4
FH30M-96S-0.4SHW(98)	CL0580-0103-2-98	96	56	52.4	26.2	42.4	57.4	61.4

HRS DRAWING FOR REFERENCE

<b>HRS</b>	DRAWING NO.	EDC-159941-98-00
	PART NO.	FH30M-*S-0.4SHW(98)
	CODE NO.	CL580



## X-ON Electronics

Largest Supplier of Electrical and Electronic Components

*Click to view similar products for [FFC & FPC Connectors](#) category:*

*Click to view products by [Hirose](#) manufacturer:*

Other Similar products are found below :

[K-FC20](#) [FH29B-80S-0.2SHW\(99\)](#) [FPH-2022G](#) [AYF332735](#) [52610-1075](#) [52610-1275](#) [52610-1934](#) [501864-3091-TR225](#) [086222026001800](#)  
[52610-0675](#) [62684-36210E9ALF](#) [52746-1671-TR250](#) [10051922-2810EHLF](#) [6-520415-9](#) [SFV6R-1STE9HLF](#) [XF3M-2915-1B-R100](#)  
[1658549-1](#) [46214008010800](#) [AYF534065TA](#) [AYF351525](#) [086212040340800+](#) [AYF530365TA](#) [67000-014LF](#) [67000-004LF](#)  
[006207341915000+](#) [DS1020-19RT1D](#) [67000-003LF](#) [67000-011LF](#) [67000-016LF](#) [HFW14R-2STE9LF](#) [SFV32R-2STBE9HLF](#) [SFW12R-](#)  
[5STE9LF](#) [SFW18R-1STAE9LF](#) [SFW4R-5STE9LF](#) [52807-0430](#) [046283021002868+](#) [THD1015-8CL-SN](#) [67000-006LF](#) [502250-8027](#)  
[104267-9617](#) [66987-011LF](#) [AYF362535](#) [F0501-T-50-20T-R](#) [HFW8S-2STAE1HLF](#) [67000-008LF](#) [67000-012LF](#) [ECC576069EU](#) [F1002-B-](#)  
[20-20T-R](#) [HFW15S-2STAE1HLF](#) [0781271110](#)