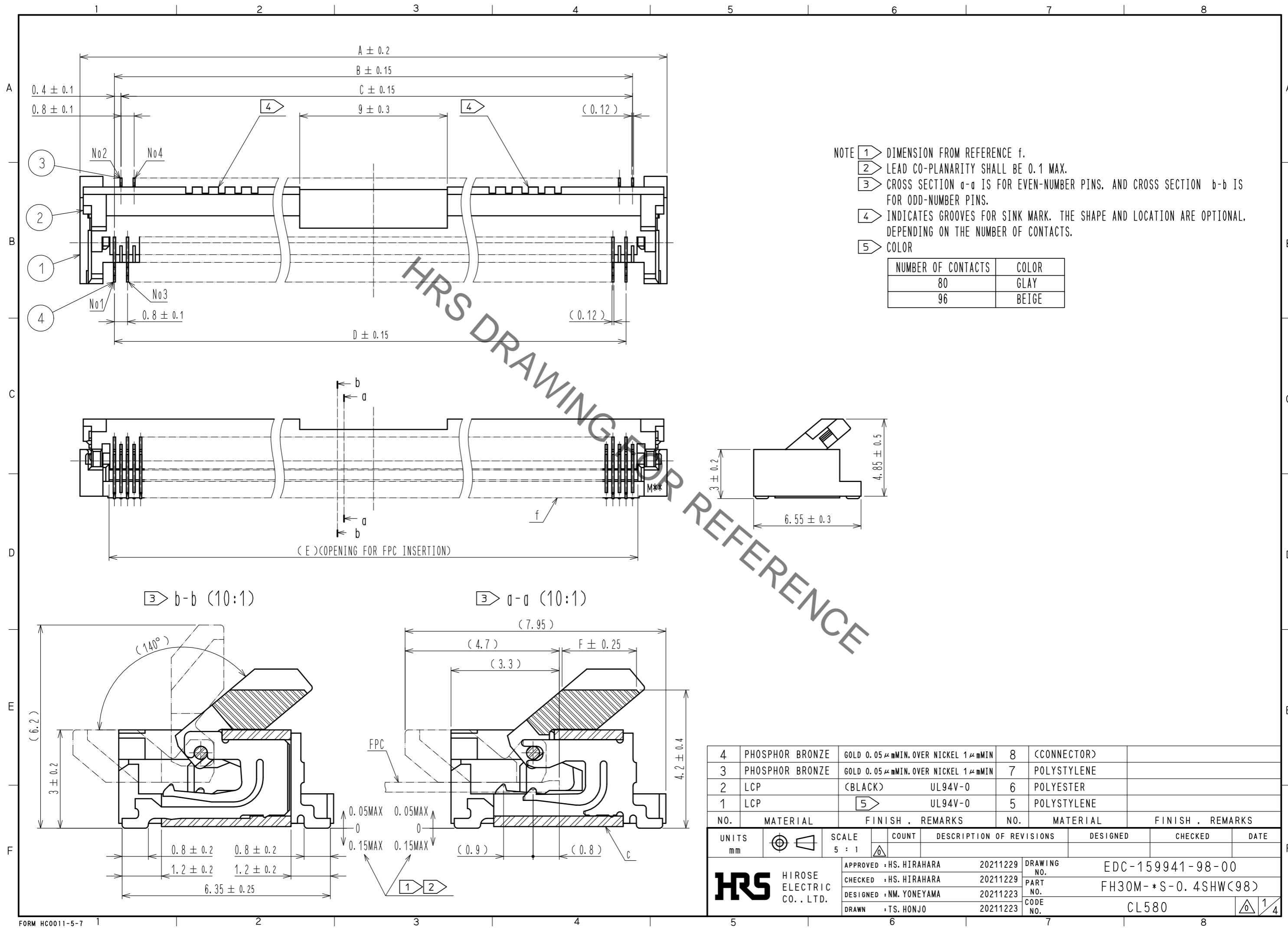


Mar.1.2022 Copyright 2022 HIROSE ELECTRIC CO., LTD. All Rights Reserved.
 In case of consideration for using Automotive equipment / device which demand high reliability, kindly contact our sales window correspondents.



- NOTE
- 1 DIMENSION FROM REFERENCE f.
 - 2 LEAD CO-PLANARITY SHALL BE 0.1 MAX.
 - 3 CROSS SECTION a-a IS FOR EVEN-NUMBER PINS, AND CROSS SECTION b-b IS FOR ODD-NUMBER PINS.
 - 4 INDICATES GROOVES FOR SINK MARK. THE SHAPE AND LOCATION ARE OPTIONAL, DEPENDING ON THE NUMBER OF CONTACTS.
 - 5 COLOR

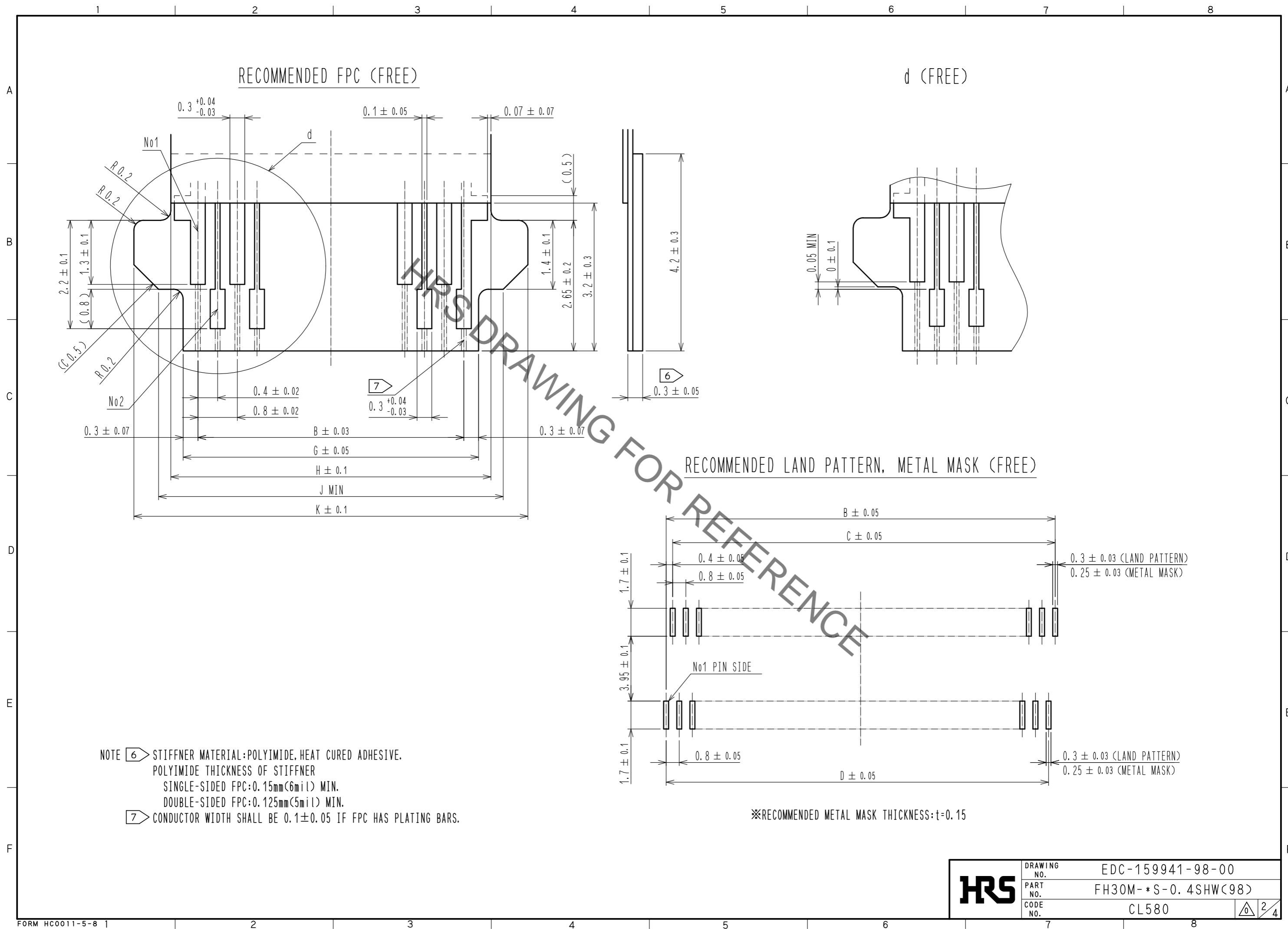
NUMBER OF CONTACTS	COLOR
80	GRAY
96	BEIGE

NO.	MATERIAL	FINISH	REMARKS	NO.	MATERIAL	FINISH	REMARKS
4	PHOSPHOR BRONZE	GOLD 0.05 μm MIN. OVER NICKEL 1 μm MIN		8	(CONNECTOR)		
3	PHOSPHOR BRONZE	GOLD 0.05 μm MIN. OVER NICKEL 1 μm MIN		7	POLYSTYLENE		
2	LCP	(BLACK)	UL94V-0	6	POLYESTER		
1	LCP	(5)	UL94V-0	5	POLYSTYLENE		

UNITS	SCALE	COUNT	DESCRIPTION OF REVISIONS	DESIGNED	CHECKED	DATE
mm	5 : 1	△				

HRS HIROSE ELECTRIC CO., LTD.	APPROVED : HS. HIRAHARA	20211229	DRAWING NO.	EDC-159941-98-00
	CHECKED : HS. HIRAHARA	20211229	PART NO.	FH30M-*S-0.4SHW(98)
	DESIGNED : NM. YONEYAMA	20211223	CODE NO.	CL580
	DRAWN : TS. HONJO	20211223		

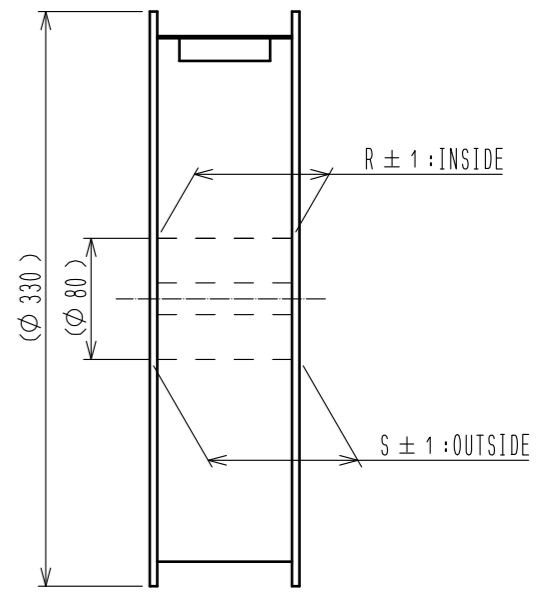
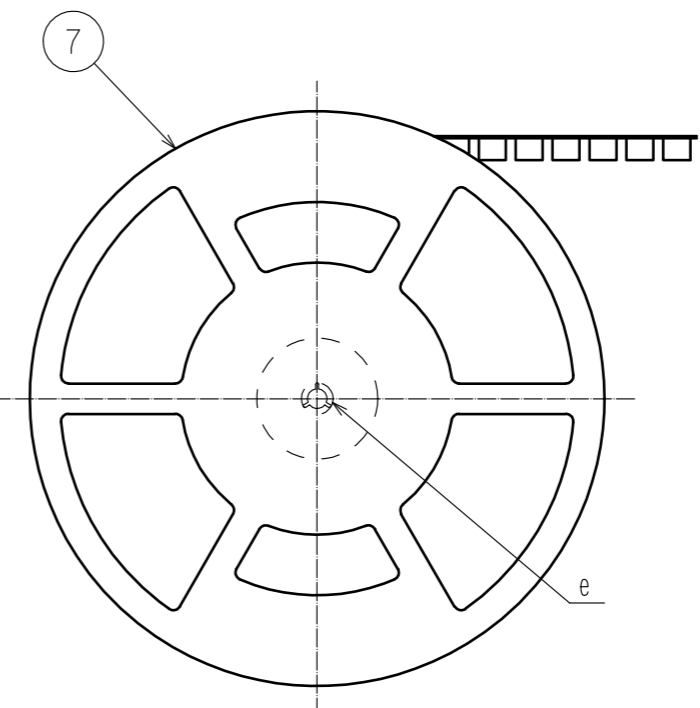
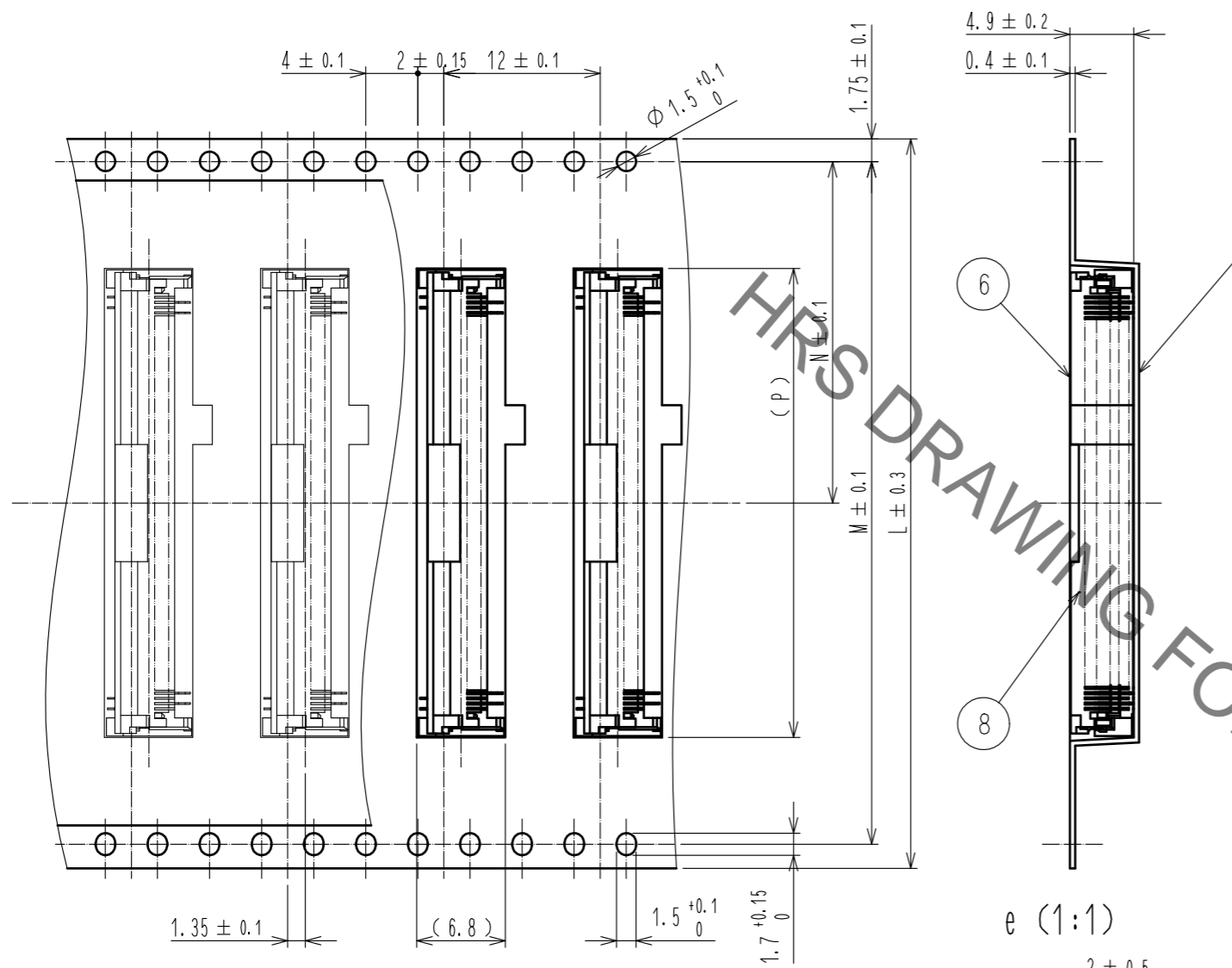
Mar.1.2022 Copyright 2022 HIROSE ELECTRIC CO., LTD. All Rights Reserved.
 In case of consideration for using Automotive equipment / device which demand high reliability, kindly contact our sales window correspondents.



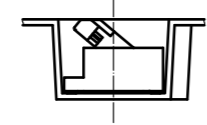
Mar.1.2022 Copyright 2022 HIROSE ELECTRIC CO., LTD. All Rights Reserved.
In case of consideration for using Automotive equipment / device which demand high reliability, kindly contact our sales window correspondents.

EMBOSSED CARRIER TAPE DIMENSION (2:1)

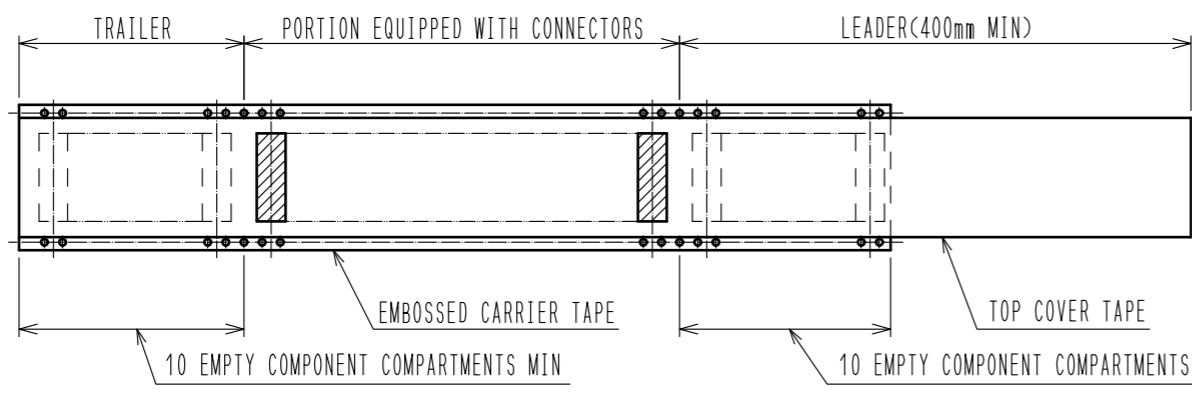
REEL DIMENSION (FREE)



DIRECTION OF UNREELING →



- NOTE
- 8 THE DIMENSIONS IN PARENTHESES ARE FOR REFERENCE.
 - 9 TOP COVER TAPE SHALL WITHSTAND TENSILE FORCE OF 10N.
 - 10 TOP COVER TAPE PEELING FORCE TO BE BETWEEN 0.1 TO 1.3N FOR REFERENCE.
 - 11 MINIMUM BENDING RADIUS OF THE EMBOSSED CARRIER TAPE TO BE 50mm.
 - 12 NO MISSING COMPONENTS NOR MISTAKES IN TAPING.
 - 13 PER REEL : 500 CONNECTORS.
 - 14 REFER TO JIS C 0806 AND IEC 60286-3. (PACKAGING OF COMPONENTS FOR AUTOMATIC HANDLING)



DRAWING FOR PACKING

HRS	DRAWING NO.	EDC-159941-98-00
	PART NO.	FH30M-*S-0.4SHW(98)
	CODE NO.	CL580
		3/4

Mar.1.2022 Copyright 2022 HIROSE ELECTRIC CO., LTD. All Rights Reserved.
 In case of consideration for using Automotive equipment / device which demand high reliability, kindly contact our sales window correspondents.

CONNECTOR, FPC, LAND PATTERN, METAL MASK DIMENSION

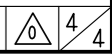
PART NO.	CODE NO.	NUMBER OF CONTACT	A	B	C	D	E	F	G	H	J	K
FH30M-80S-0.4SHW(98)	CL0580-0102-0-98	80	35.8	31.6	31.2	31.2	32.25	2.27	32.2	32.7	33.2	34.2
FH30M-96S-0.4SHW(98)	CL0580-0103-2-98	96	42.2	38	37.6	37.6	38.65	2.02	38.6	39.1	39.6	40.6

PACKING DIMENSION

PART NO.	CODE NO.	NUMBER OF CONTACT	L	M	N	P	R	S
FH30M-80S-0.4SHW(98)	CL0580-0102-0-98	80	56	52.4	26.2	36	57.4	61.4
FH30M-96S-0.4SHW(98)	CL0580-0103-2-98	96	56	52.4	26.2	42.4	57.4	61.4

HRS DRAWING FOR REFERENCE

HRS	DRAWING NO.	EDC-159941-98-00
	PART NO.	FH30M-*S-0.4SHW(98)
	CODE NO.	CL580



X-ON Electronics

Largest Supplier of Electrical and Electronic Components

Click to view similar products for [FFC & FPC Connectors](#) category:

Click to view products by [Hirose](#) manufacturer:

Other Similar products are found below :

[K-FC20](#) [FH29B-80S-0.2SHW\(99\)](#) [FPH-2022G](#) [AYF332735](#) [52610-1075](#) [52610-1275](#) [52610-1934](#) [501864-3091-TR225](#) [086222026001800](#)
[52610-0675](#) [62684-36210E9ALF](#) [52746-1671-TR250](#) [10051922-2810EHLF](#) [6-520415-9](#) [SFV6R-1STE9HLF](#) [XF3M-2915-1B-R100](#)
[1658549-1](#) [46214008010800](#) [AYF534065TA](#) [AYF351525](#) [086212040340800+](#) [AYF530365TA](#) [67000-014LF](#) [67000-004LF](#)
[006207341915000+](#) [DS1020-19RT1D](#) [67000-003LF](#) [67000-011LF](#) [67000-016LF](#) [HFW14R-2STE9LF](#) [SFV32R-2STBE9HLF](#) [SFW12R-](#)
[5STE9LF](#) [SFW18R-1STAE9LF](#) [SFW4R-5STE9LF](#) [52807-0430](#) [046283021002868+](#) [THD1015-8CL-SN](#) [67000-006LF](#) [502250-8027](#)
[104267-9617](#) [66987-011LF](#) [AYF362535](#) [F0501-T-50-20T-R](#) [HFW8S-2STAE1HLF](#) [67000-008LF](#) [67000-012LF](#) [ECC576069EU](#) [F1002-B-](#)
[20-20T-R](#) [HFW15S-2STAE1HLF](#) [0781271110](#)