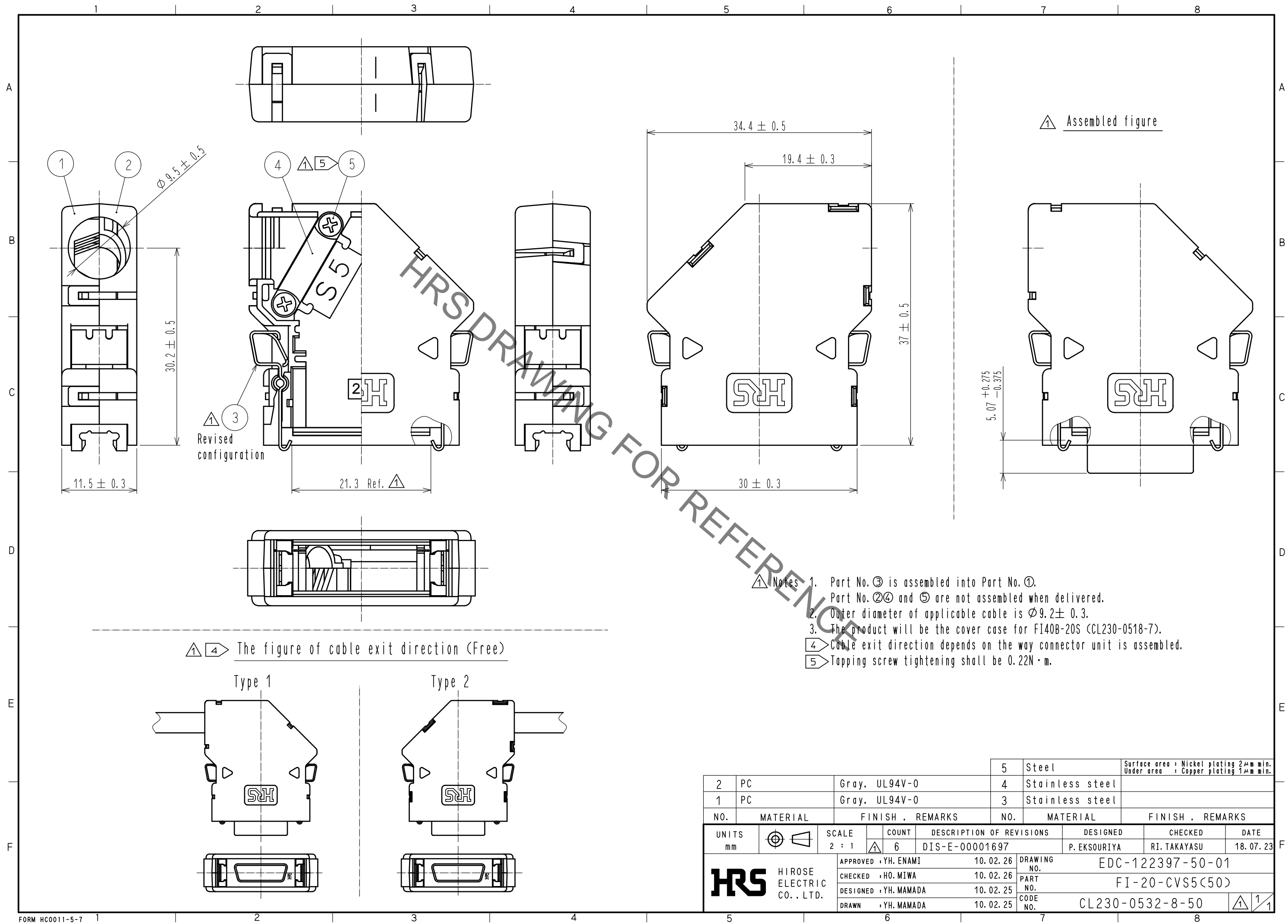
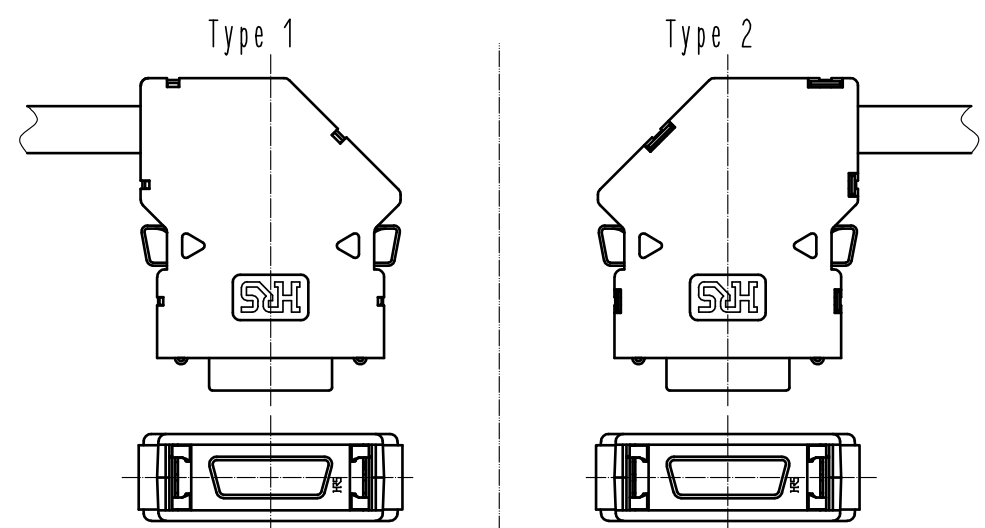


Sep.1.2021 Copyright 2021 HIROSE ELECTRIC CO., LTD. All Rights Reserved.
 In case of consideration for using Automotive equipment / device which demand high reliability, kindly contact our sales window correspondents.



- Notes
1. Part No. ③ is assembled into Part No. ①.
Part No. ②④ and ⑤ are not assembled when delivered.
 2. Outer diameter of applicable cable is $\phi 9.2 \pm 0.3$.
 3. The product will be the cover case for FI40B-20S (CL230-0518-7).
 - ④ Cable exit direction depends on the way connector unit is assembled.
 - ⑤ Tapping screw tightening shall be 0.22N·m.



2	PC	Gray, UL94V-0	5	Steel	Surface area : Nickel plating 2μm min. Under area : Copper plating 1μm min.
1	PC	Gray, UL94V-0	4	Stainless steel	
			3	Stainless steel	
NO.	MATERIAL	FINISH . REMARKS	NO.	MATERIAL	FINISH . REMARKS
UNITS		SCALE	COUNT	DESCRIPTION OF REVISIONS	
mm		2 : 1	6	DIS-E-00001697	
APPROVED : YH. ENAMI			10.02.26	DESIGNED	
CHECKED : HO. MIWA			10.02.26	P. EKSOURIYA	
DRAWN : YH. MAMADA			10.02.25	CHECKED	
			10.02.25	RI. TAKAYASU	
DATE			18.07.23		
HRS HIROSE ELECTRIC CO., LTD.			DRAWING NO. EDC-122397-50-01		
			PART NO. FI-20-CVS5(50)		
			CODE NO. CL230-0532-8-50		
			1/1		

X-ON Electronics

Largest Supplier of Electrical and Electronic Components

Click to view similar products for [I/O Connectors](#) category:

Click to view products by [Hirose](#) manufacturer:

Other Similar products are found below :

[571763P](#) [58098-0628](#) [72.250.1628.2](#) [72.250.2428.2](#) [74720-0505](#) [76.350.0729.0](#) [76871-1403](#) [FCN-244F080-G/1](#) [FCN-260A9920](#) [MP-5T180MUNNA-005](#) [PCR-E36PM](#) [PCS-XE26MA+](#) [G38A71314B](#) [1571250010](#) [157-22500-3](#) [MS3471L14-19P L/C](#) [192991-0703](#) [172501-4002](#) [172501-6002](#) [FCN-260C008-A/L0](#) [FCN-260C024-AL0](#) [FCN-261Z008](#) [2000314-1](#) [200331-1](#) [PCR-E36FC+](#) [PCS-E28FS+](#) [PCS-XE26SLFD+](#) [PCS-XE26SLFDT+](#) [G730VID08BDC24](#) [HDR-E14MSG1+](#) [U90B2054081210](#) [UE86K842720321](#) [38113800006](#)
[DP3AR020WQ1R200](#) [Z4.102.0680.0](#) [500-1040](#) [500-1052](#) [500-1054](#) [ZP-4008-66L](#) [0709821002](#) [DX40-20P\(55\)](#) [5554841-1](#) [MS3474W18-8P-LC*](#) [SM3106F14S-7S-LC](#) [U90B3054061110](#) [U65-E04-4020](#) [ZPF000000000097891](#) [557-262M2-06C](#) [747360449](#) [10099439-003C-TRLF](#)