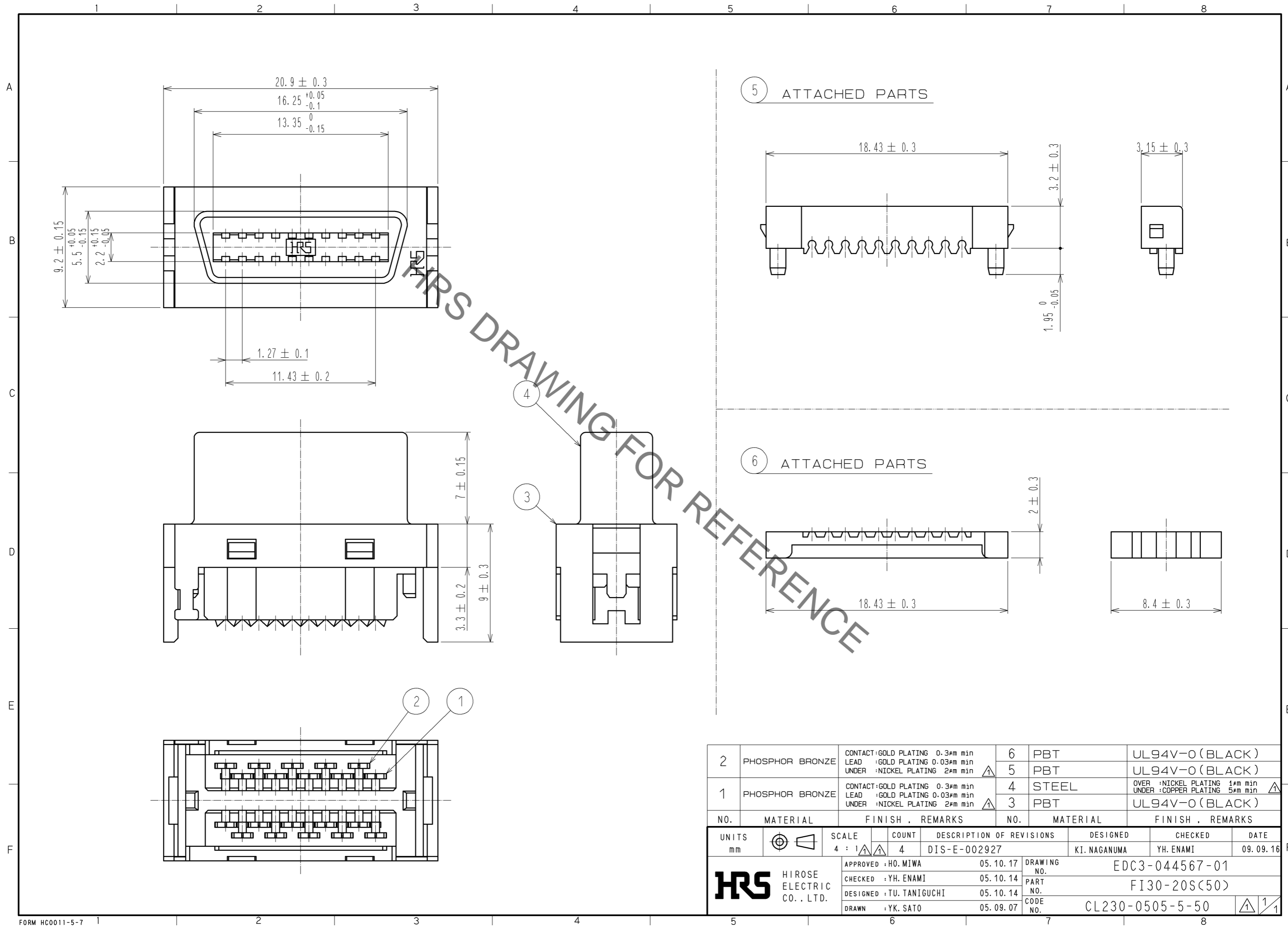


Sep.1.2021 Copyright 2021 HIROSE ELECTRIC CO., LTD. All Rights Reserved.
 In case of consideration for using Automotive equipment / device which demand high reliability, kindly contact our sales window correspondents.



NO.	MATERIAL	FINISH . REMARKS	NO.	MATERIAL	FINISH . REMARKS
2	PHOSPHOR BRONZE	CONTACT :GOLD PLATING 0.3μm min LEAD :GOLD PLATING 0.03μm min UNDER :NICKEL PLATING 2μm min	6	PBT	UL94V-0 (BLACK)
1	PHOSPHOR BRONZE	CONTACT :GOLD PLATING 0.3μm min LEAD :GOLD PLATING 0.03μm min UNDER :NICKEL PLATING 2μm min	5	PBT	UL94V-0 (BLACK)
			4	STEEL	OVER :NICKEL PLATING 1μm min UNDER :COPPER PLATING 5μm min
			3	PBT	UL94V-0 (BLACK)

UNITS	SCALE	COUNT	DESCRIPTION OF REVISIONS	DESIGNED	CHECKED	DATE
mm	4 : 1	4	DIS-E-002927	KI. NAGANUMA	YH. ENAMI	09.09.16
APPROVED : HO. MIWA			05.10.17	DRAWING NO. EDC3-044567-01		
CHECKED : YH. ENAMI			05.10.14	PART NO. FI30-20S(50)		
DESIGNED : TU. TANIGUCHI			05.10.14	CODE NO. CL230-0505-5-50		
DRAWN : YK. SATO			05.09.07	1/1		

X-ON Electronics

Largest Supplier of Electrical and Electronic Components

Click to view similar products for [I/O Connectors](#) category:

Click to view products by [Hirose](#) manufacturer:

Other Similar products are found below :

[571763P](#) [58098-0628](#) [72.250.1628.2](#) [72.250.2428.2](#) [74720-0505](#) [76.350.0729.0](#) [76871-1403](#) [FCN-244F080-G/1](#) [FCN-260A9920](#) [MP-5T180MUNNA-005](#) [PCR-E36PM](#) [PCS-XE26MA+](#) [G38A71314B](#) [1571250010](#) [157-22500-3](#) [MS3471L14-19P L/C](#) [192991-0703](#) [172501-4002](#) [172501-6002](#) [FCN-260C008-A/L0](#) [FCN-260C024-AL0](#) [FCN-261Z008](#) [2000314-1](#) [200331-1](#) [PCR-E36FC+](#) [PCS-E28FS+](#) [PCS-XE26SLFD+](#) [PCS-XE26SLFDT+](#) [G730VID08BDC24](#) [HDR-E14MSG1+](#) [U90B2054081210](#) [UE86K842720321](#) [38113800006](#)
[DP3AR020WQ1R200](#) [Z4.102.0680.0](#) [500-1040](#) [500-1052](#) [500-1054](#) [ZP-4008-66L](#) [0709821002](#) [DX40-20P\(55\)](#) [5554841-1](#) [MS3474W18-8P-LC*](#) [SM3106F14S-7S-LC](#) [U90B3054061110](#) [U65-E04-4020](#) [ZPF000000000097891](#) [557-262M2-06C](#) [747360449](#) [10099439-003C-TRLF](#)