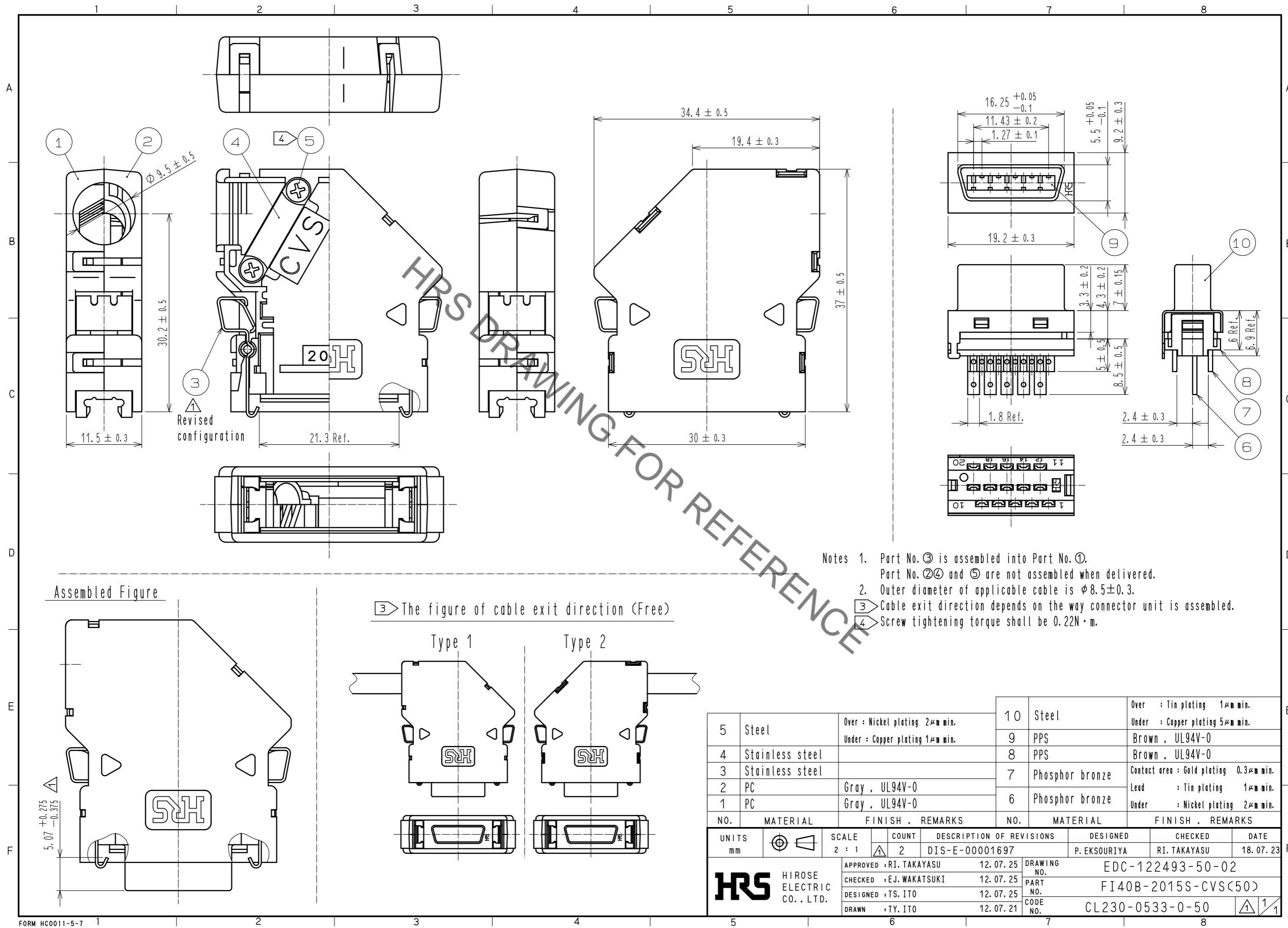
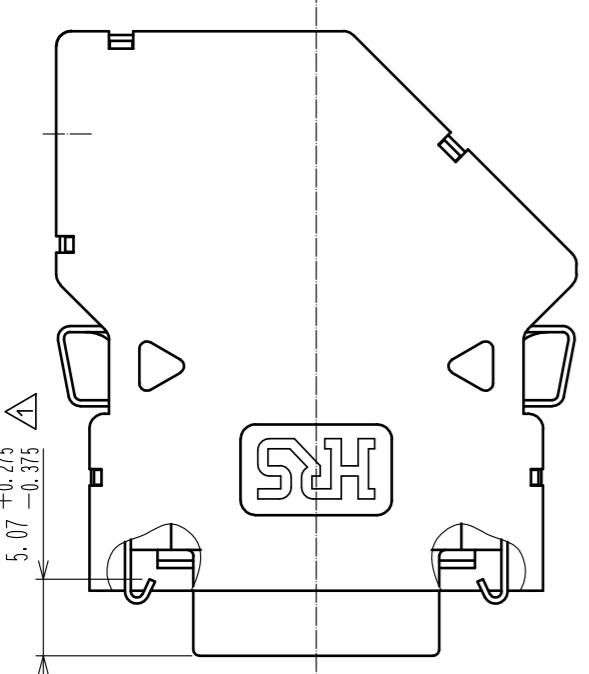


Sep.1.2021 Copyright 2021 HIROSE ELECTRIC CO., LTD. All Rights Reserved.
 In case of consideration for using Automotive equipment / device which demand high reliability, kindly contact our sales window correspondents.

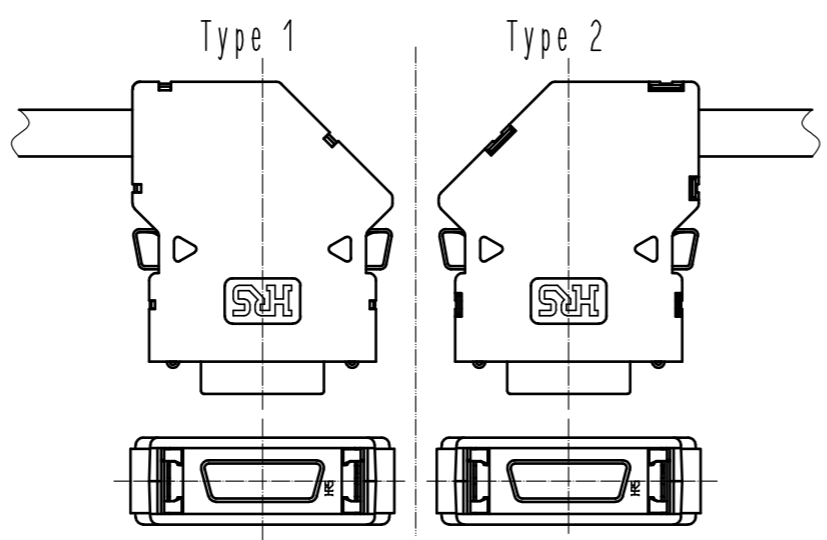


- Notes
- Part No. ③ is assembled into Part No. ①.
Part No. ②④ and ⑤ are not assembled when delivered.
 - Outer diameter of applicable cable is $\phi 8.5 \pm 0.3$.
 - Cable exit direction depends on the way connector unit is assembled.
 - Screw tightening torque shall be $0.22\text{N} \cdot \text{m}$.

Assembled Figure



③ The figure of cable exit direction (Free)



NO.	MATERIAL	FINISH . REMARKS	NO.	MATERIAL	FINISH . REMARKS
5	Steel	Over : Nickel plating 2 μm min. Under : Copper plating 1 μm min.	10	Steel	Over : Tin plating 1 μm min. Under : Copper plating 5 μm min.
4	Stainless steel		9	PPS	Brown , UL94V-0
3	Stainless steel		8	PPS	Brown , UL94V-0
2	PC	Gray , UL94V-0	7	Phosphor bronze	Contact area : Gold plating 0.3 μm min. Lead : Tin plating 1 μm min.
1	PC	Gray , UL94V-0	6	Phosphor bronze	Under : Nickel plating 2 μm min.

UNITS	SCALE	COUNT	DESCRIPTION OF REVISIONS	DESIGNED	CHECKED	DATE
mm	2 : 1	2	DIS-E-00001697	P. EKSOURIYA	RI. TAKAYASU	18.07.23

APPROVED	CHECKED	DESIGNED	DRAWN	DATE	DRAWING NO.	PART NO.	CODE NO.
RI. TAKAYASU	EJ. WAKATSUKI	TS. ITO	TY. ITO	12.07.25	EDC-122493-50-02	FI40B-2015S-CVS(50)	CL230-0533-0-50

X-ON Electronics

Largest Supplier of Electrical and Electronic Components

Click to view similar products for [I/O Connectors](#) category:

Click to view products by [Hirose](#) manufacturer:

Other Similar products are found below :

[571763P](#) [58098-0628](#) [72.250.1628.2](#) [72.250.2428.2](#) [74720-0505](#) [76.350.0729.0](#) [76871-1403](#) [FCN-244F080-G/1](#) [FCN-260A9920](#) [MP-5T180MUNNA-005](#) [PCR-E36PM](#) [PCS-XE26MA+](#) [G38A71314B](#) [1571250010](#) [157-22500-3](#) [MS3471L14-19P L/C](#) [192991-0703](#) [172501-4002](#) [172501-6002](#) [FCN-260C008-A/L0](#) [FCN-260C024-AL0](#) [FCN-261Z008](#) [2000314-1](#) [200331-1](#) [PCR-E36FC+](#) [PCS-E28FS+](#) [PCS-XE26SLFD+](#) [PCS-XE26SLFDT+](#) [G730VID08BDC24](#) [HDR-E14MSG1+](#) [U90B2054081210](#) [UE86K842720321](#) [38113800006](#)
[DP3AR020WQ1R200](#) [Z4.102.0680.0](#) [500-1040](#) [500-1052](#) [500-1054](#) [ZP-4008-66L](#) [0709821002](#) [DX40-20P\(55\)](#) [5554841-1](#) [MS3474W18-8P-LC*](#) [SM3106F14S-7S-LC](#) [U90B3054061110](#) [U65-E04-4020](#) [ZPF000000000097891](#) [557-262M2-06C](#) [747360449](#) [10099439-003C-TRLF](#)