

Sep.1.2021 Copyright 2021 HIROSE ELECTRIC CO., LTD. All Rights Reserved. In case of consideration for using Automotive equipment / device which demand high reliability, kindly contact our sales window correspondents.

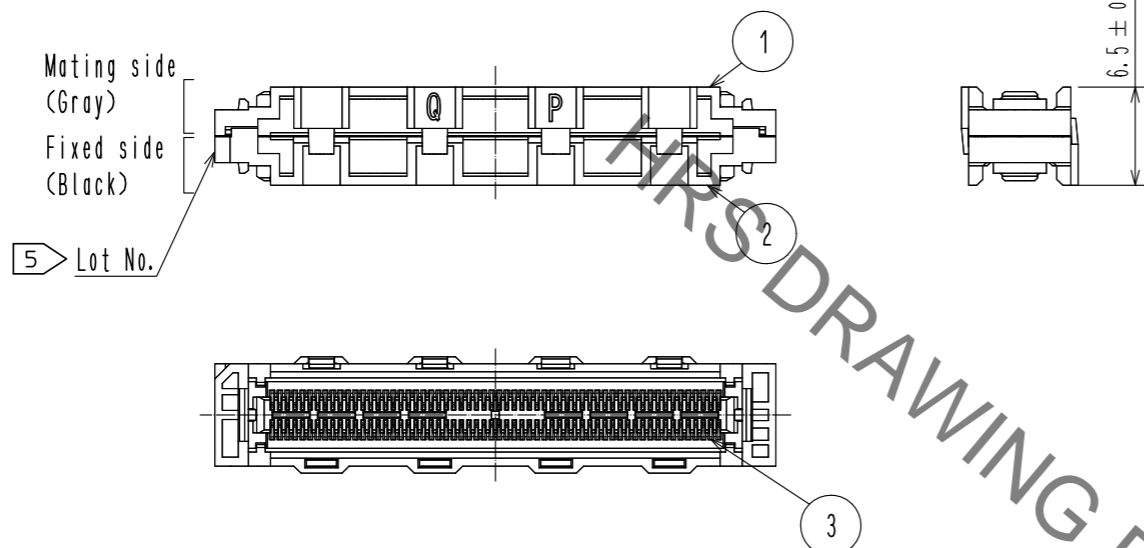
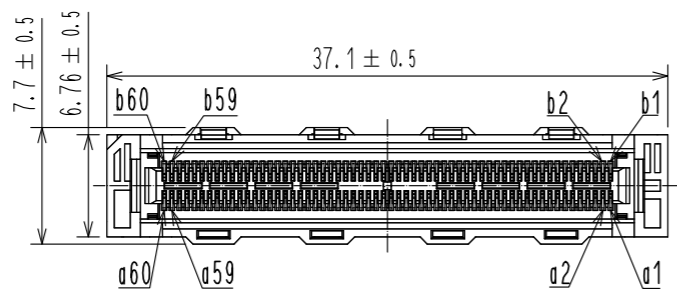


Table.1 Stacking height and connector combinations ◀ 1

Board distance (Stacking height)	Header connector of Board α	Interposer	Header connector of Board β	Recommended spacer height(L) ◀ 3
11mm	FX10A-120P-SV1(**)	FX10-120IP-36Q-8PH(C03)	FX10A-120P-SV2(**)	11±0.127mm
12mm	FX10A-120P-SV1(**)		FX10A-120P-SV3(**)	12±0.127mm
13mm	FX10A-120P-SV1(**)		FX10A-120P-SV4(**)	13±0.127mm

Table.2 Pin configuration of Interposer ◀ 4

Row A Pin No.	1	2	3	4	5	6	7	8	9	10	11	12	13	14	15	16	17	18	19	20	21	22	23	24	25	26	27	28	29	30	31	32	33	34	35	36	37	38	39	40	41	42	43	44	45	46	47	48	49	50	51	52	53	54	55	56	57	58	59	60
Pin configuration	G1	S	S	G1	S	S	G1	S	S	G1	S	S	G1	S	S	G1	S	S	G1	S	S	G1	S	S	G1	S	S	G1	SE	SE	SE	SE	G2	S	S	G2	S	S	G2	S	S	G2	S	S	G2	S	S	G2	S	S	G2	S	S	G2	S	S	G2	S	S	G2
Row B Pin No.	1	2	3	4	5	6	7	8	9	10	11	12	13	14	15	16	17	18	19	20	21	22	23	24	25	26	27	28	29	30	31	32	33	34	35	36	37	38	39	40	41	42	43	44	45	46	47	48	49	50	51	52	53	54	55	56	57	58	59	60
Pin configuration	G1	S	S	G1	S	S	G1	S	S	G1	S	S	G1	S	S	G1	S	S	G1	S	S	G1	S	S	G1	S	S	G1	SE	SE	SE	SE	G2	S	S	G2	S	S	G2	S	S	G2	S	S	G2	S	S	G2	S	S	G2	S	S	G2						

S: Signal for Differential SE: Signal for Single-ended G1: Common ground 1 G2: Common ground 2

- Note.
- ◀ 1 The header connectors are decided by board distance (stacking height). Connector combination is shown in Table 1.
  - ◀ 2 Fixed side (Black side) of interposer should be mated with header mounted on board α. Mating side (Gray side) should be mated with header mounted on board β.
  - ◀ 3 Spacers are required to support the PWB's and protect the SMT solder joints. Recommended spacer height is shown in Table 1.
  - ◀ 4 Pin configuration is shown in Table 2. This product consists of 36 Differential pairs, 8 Single-ended lines and 40 ground lines.
  - ◀ 5 Lot No. shall be marked on the indicated position.
  - ◀ 6 50pcs of this product are packed in soft tray. See Fig.3 for details.

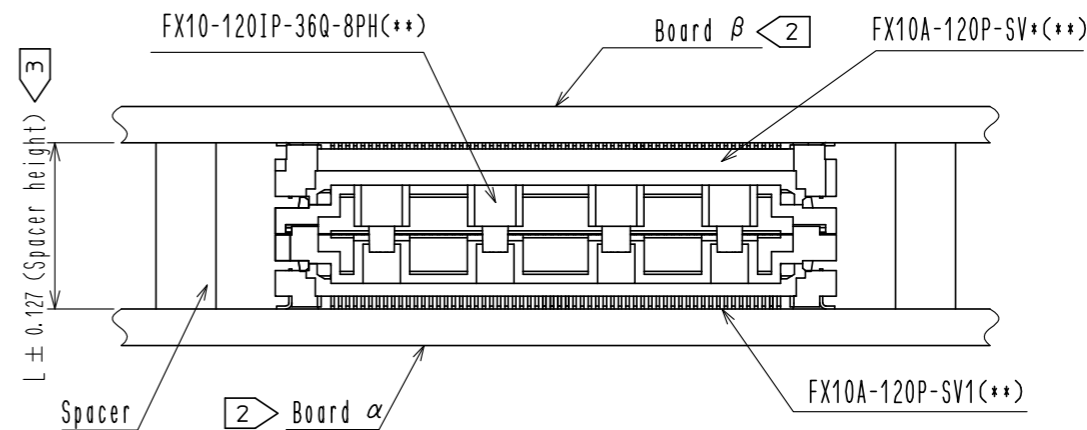


Fig.1 Recommended spacer height (Free)

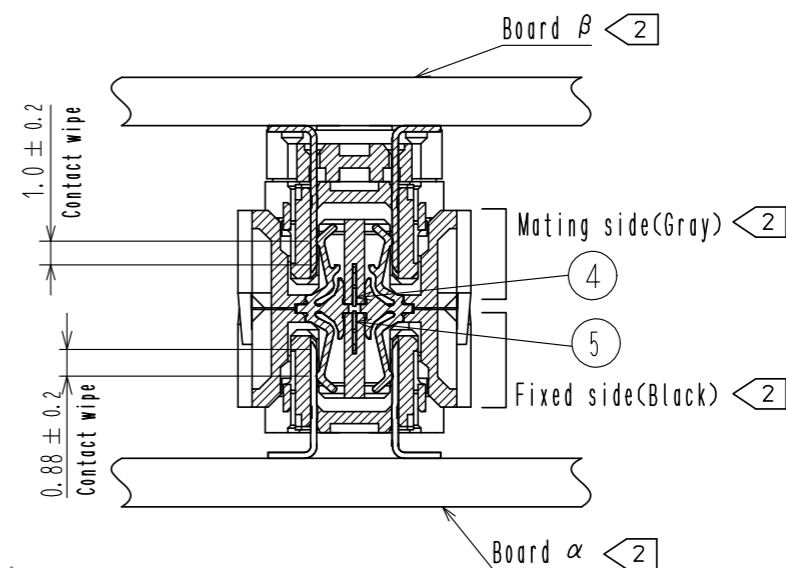


Fig.2 Mating cross section (Free)

3	Copper Alloy	Ni1.5μm+Au0.76μm	6	PS	(Tray)			
2	LCP(Black)	UL94V-0	5	Copper Alloy	Ni1μm			
1	LCP(Gray)	UL94V-0	4	Copper Alloy	Ni1μm			
NO.	MATERIAL	FINISH . REMARKS	NO.	MATERIAL	FINISH . REMARKS			
UNITS	mm	SCALE	2 : 1	COUNT	DESCRIPTION OF REVISIONS	DESIGNED	CHECKED	DATE
APPROVED : TM. MATSUO		17.07.19		DRAWING NO.		EDC-361676-03-00		
CHECKED : MK. EZAKI		17.07.14		PART NO.		FX10-120IP-36Q-8PH(C03)		
DESIGNED : AS. MATSUZAWA		17.07.14		CODE NO.		CL608-0016-0-03		
DRAWN : XINGYU CHENG		17.07.14				1/2		

Sep.1.2021 Copyright 2021 HIROSE ELECTRIC CO., LTD. All Rights Reserved.  
 In case of consideration for using Automotive equipment / device which demand high reliability, kindly contact our sales window correspondents.

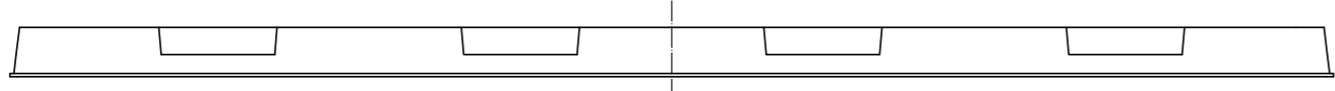
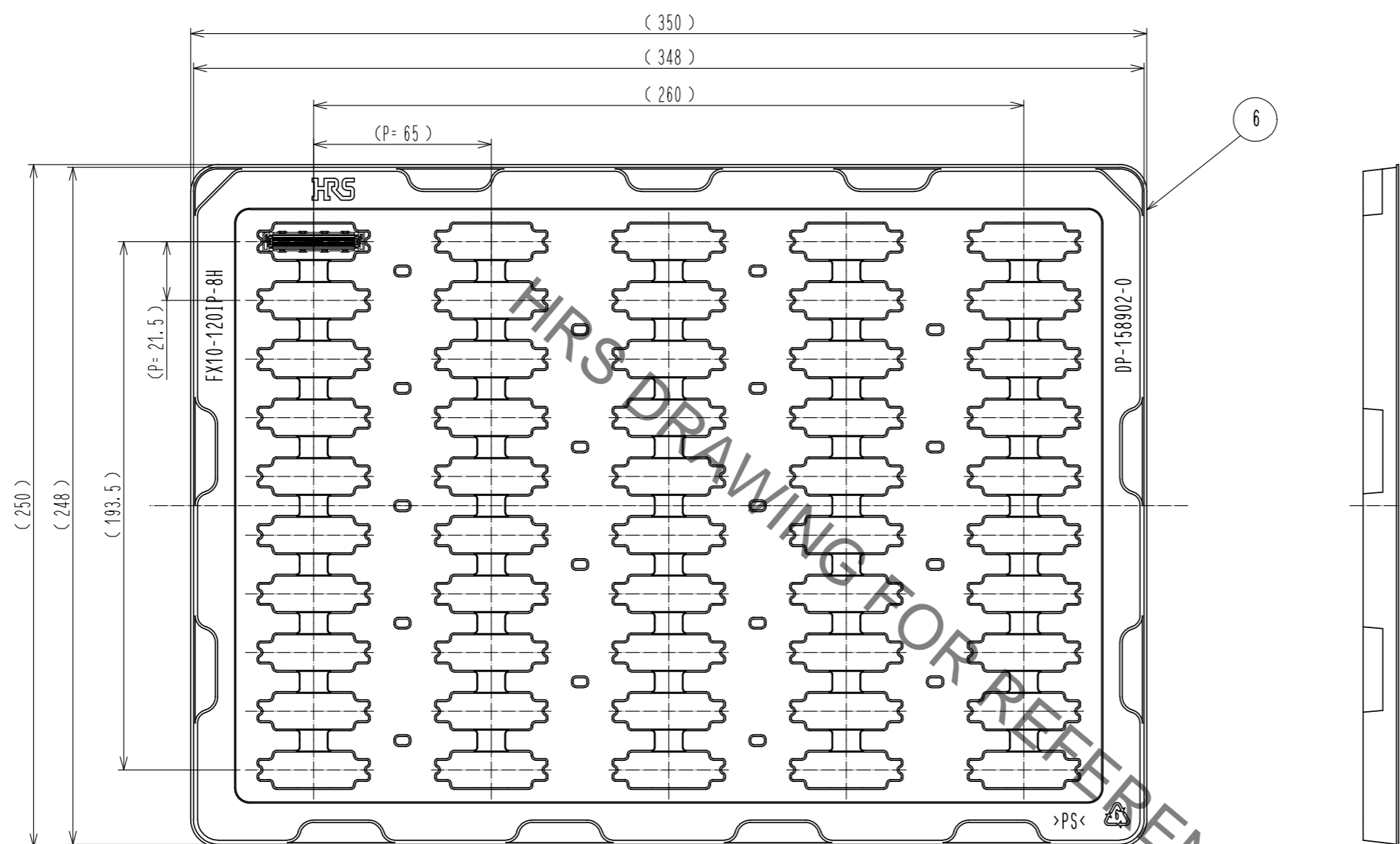


Fig.3 Drawing for packing (1:2) ◁ 6

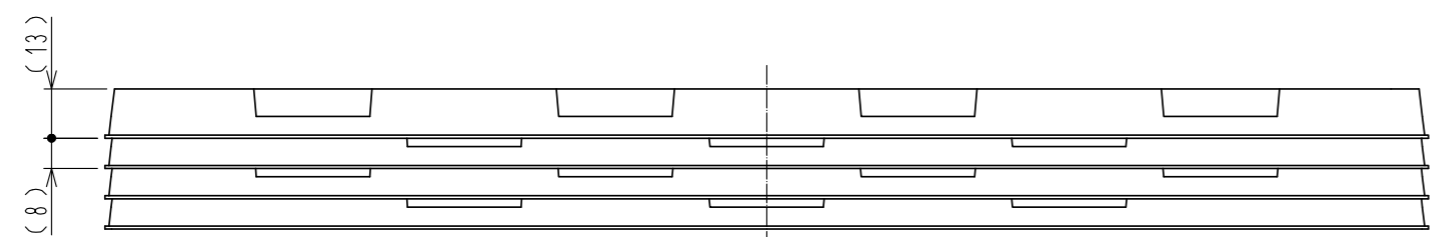


Fig.4 Stacked tray drawing (1:2)

<b>HRS</b>	DRAWING NO.	EDC-361676-03-00
	PART NO.	FX10-120IP-36Q-8PH(03)
	CODE NO.	CL608-0016-0-03

## X-ON Electronics

Largest Supplier of Electrical and Electronic Components

*Click to view similar products for [Board to Board & Mezzanine Connectors](#) category:*

*Click to view products by [Hirose](#) manufacturer:*

Other Similar products are found below :

[589158040000018](#) [MDF7C-18P-2.54DSA\(55\)](#) [FCN-230C068-11](#) [FCN-268F012-G/BD](#) [FCN-268F036-G/BD](#) [FCN-268M012-G/0D](#) [FCN-268M024-G/1D](#) [FCN-723J004/1](#) [MIS-048-01-F-D-DP-K](#) [832-10-034-10-001000](#) [FX4C-80S-1.27DSA](#) [FCN-214Q030-G/0](#) [FCN-234P048-G/0](#) [FCN-235D050-G/C](#) [210-93-314-41-105000](#) [2-22603-0](#) [MDF7-40DP-2.54DSA\(55\)](#) [AXG720047](#) [MIT-114-03-F-D-K](#) [55323-1519](#) [DF33-2P-3.3DSA\(24\)](#) [YFT-20-05-H-03-SB-K](#) [503308-3040](#) [026-6203-PDB](#) [027-6203-PDB](#) [069159702701000](#) [10123981-102LF](#) [101A10019X](#) [55650-0588-C](#) [68682-310LF](#) [68684-306](#) [75140-7012](#) [87471-650](#) [YTW-30-07-H-Q-410-140](#) [FCN-268F024-G0D](#) [10124054-515LF](#) [68685-603](#) [8-1616154-3](#) [MIS-019-01-F-D](#) [FCN-268M024-G/3D](#) [FCN-268M036-G/BD](#) [20021832-06016C1LF](#) [KX15-20KLDL-E1000E](#) [AXE810124](#) [FCN-214J100-G/0](#) [FCN-230C068-E/S](#) [AXE812124](#) [AXE816124](#) [AXE720127](#) [354184](#)