

Sep.1.2021 Copyright 2021 HIROSE ELECTRIC CO., LTD. All Rights Reserved.
 In case of consideration for using Automotive equipment / device which demand high reliability, kindly contact our sales window correspondents.

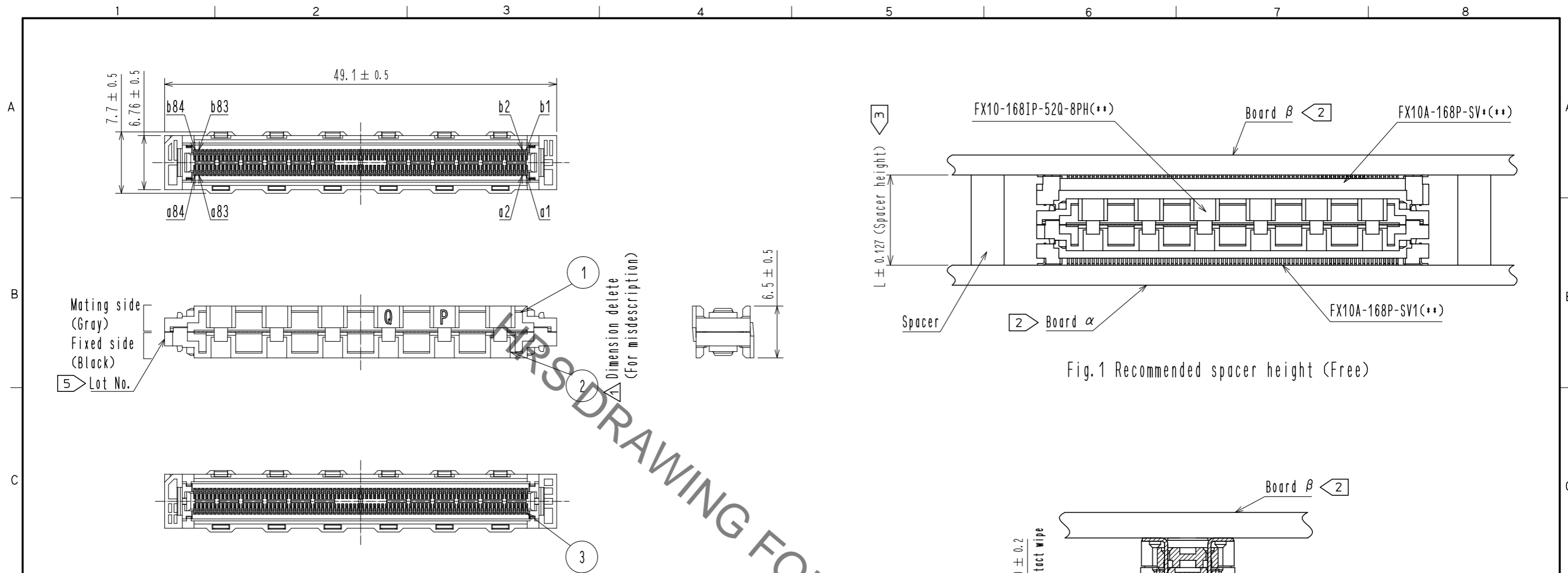


Fig.1 Recommended spacer height (Free)

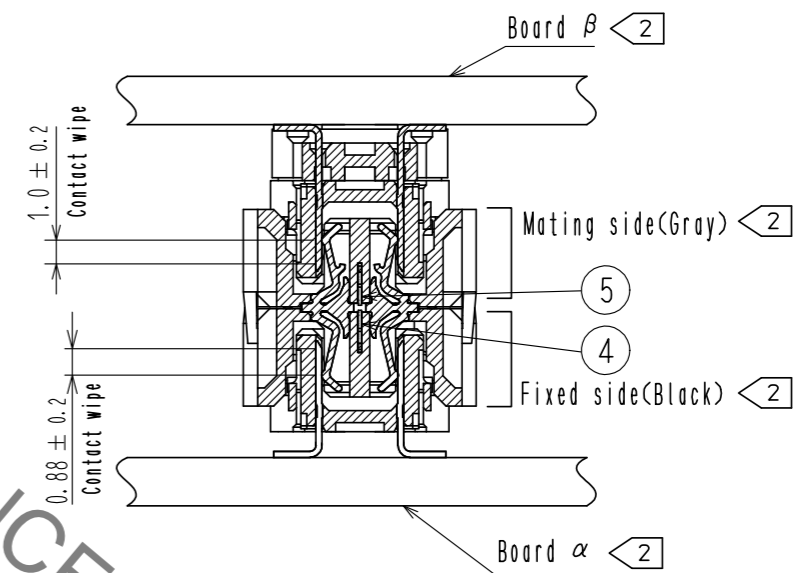


Fig.2 Mating cross section (Free)

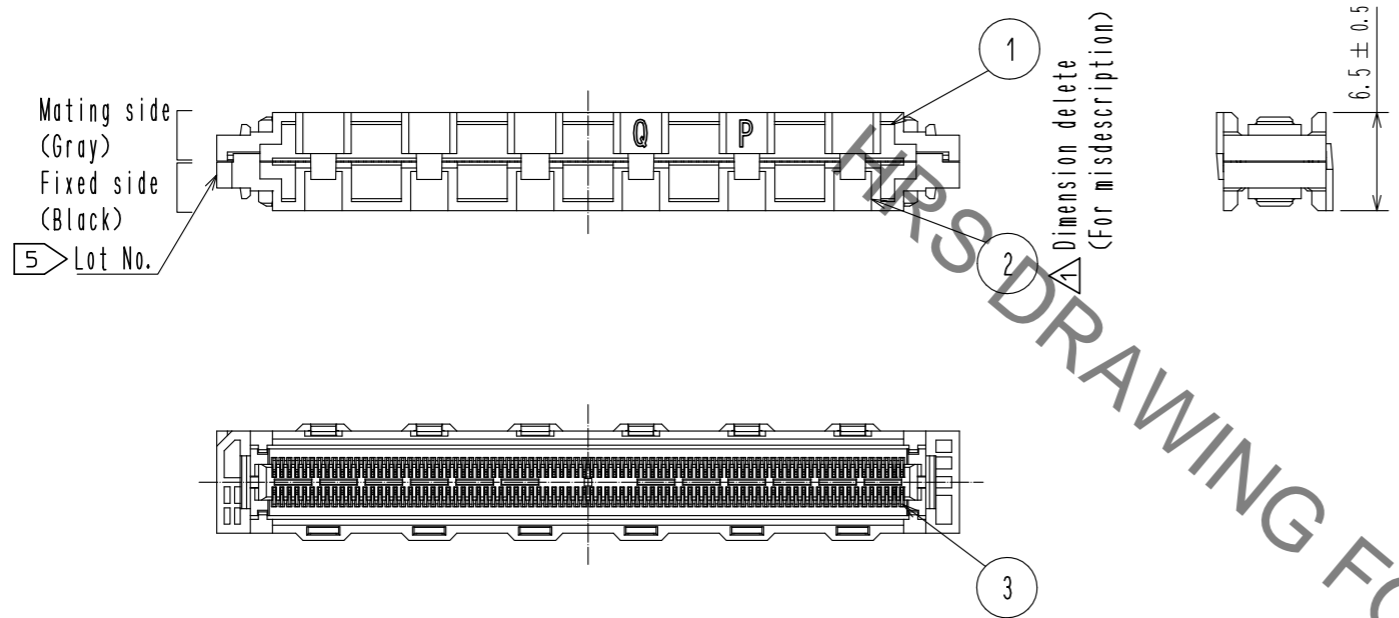


Table.1 Stacking height and connector combinations 1

Board distance (Stacking height)	Header connector of Board α	Interposer	Header connector of Board β	Recommended spacer height(L) 3
11mm	FX10A-168P-SV1(**)	FX10A-168IP-52Q-8PH(**)	FX10A-168P-SV2(**)	11±0.127mm
12mm	FX10A-168P-SV1(**)		FX10A-168P-SV3(**)	12±0.127mm
13mm	FX10A-168P-SV1(**)		FX10A-168P-SV4(**)	13±0.127mm

- Note.
- 1 The header connectors are decided by board distance (stacking height). Connector combination is shown in Table 1.
 - 2 Fixed side (Black side) of interposer should be mated with header mounted on board α .
Mating side (Gray side) should be mated with header mounted on board β .
 - 3 Spacers are required to support the PWB's and protect the SMT solder joints.
Recommended spacer height is shown in Table 1.
 - 4 Pin configuration is shown in Table 2.
This product consists of 52 Differential pairs, 8 Single-ended lines and 56 ground lines.
 - 5 Lot No. shall be marked on the indicated position.
 - 6 50pcs of this product are packed in soft tray. See Fig.3 for details.

3	Copper Alloy	Ni1.5 μ m+Au0.76 μ m	6	PS	(Tray)
2	LCP(Black)	UL94V-0	5	Copper Alloy	Ni1 μ m
1	LCP(Gray)	UL94V-0	4	Copper Alloy	Ni1 μ m
NO.	MATERIAL	FINISH . REMARKS	NO.	MATERIAL	FINISH . REMARKS
UNITS mm		SCALE 2 : 1	COUNT 6	DESCRIPTION OF REVISIONS DIS-F-00002626	DESIGNED AS. MATSUZAWA
HRS HIROSE ELECTRIC CO., LTD.		APPROVED : MK. EZAKI	16.11.05	DESIGNED	AS. MATSUZAWA
		CHECKED : MK. EZAKI	16.11.05	CHECKED	MK. EZAKI
		DESIGNED : MK. NAGATA	16.11.05	DATE	17.09.04
		DRAWN : MK. NAGATA	16.11.05	DRAWING NO.	EDC-354341-03-00
				PART NO.	FX10-168IP-52Q-8PH(03)
				CODE NO.	CL608-0005-4-03
					1 / 2

Sep.1.2021 Copyright 2021 HIROSE ELECTRIC CO., LTD. All Rights Reserved.
 In case of consideration for using Automotive equipment / device which demand high reliability, kindly contact our sales window correspondents.

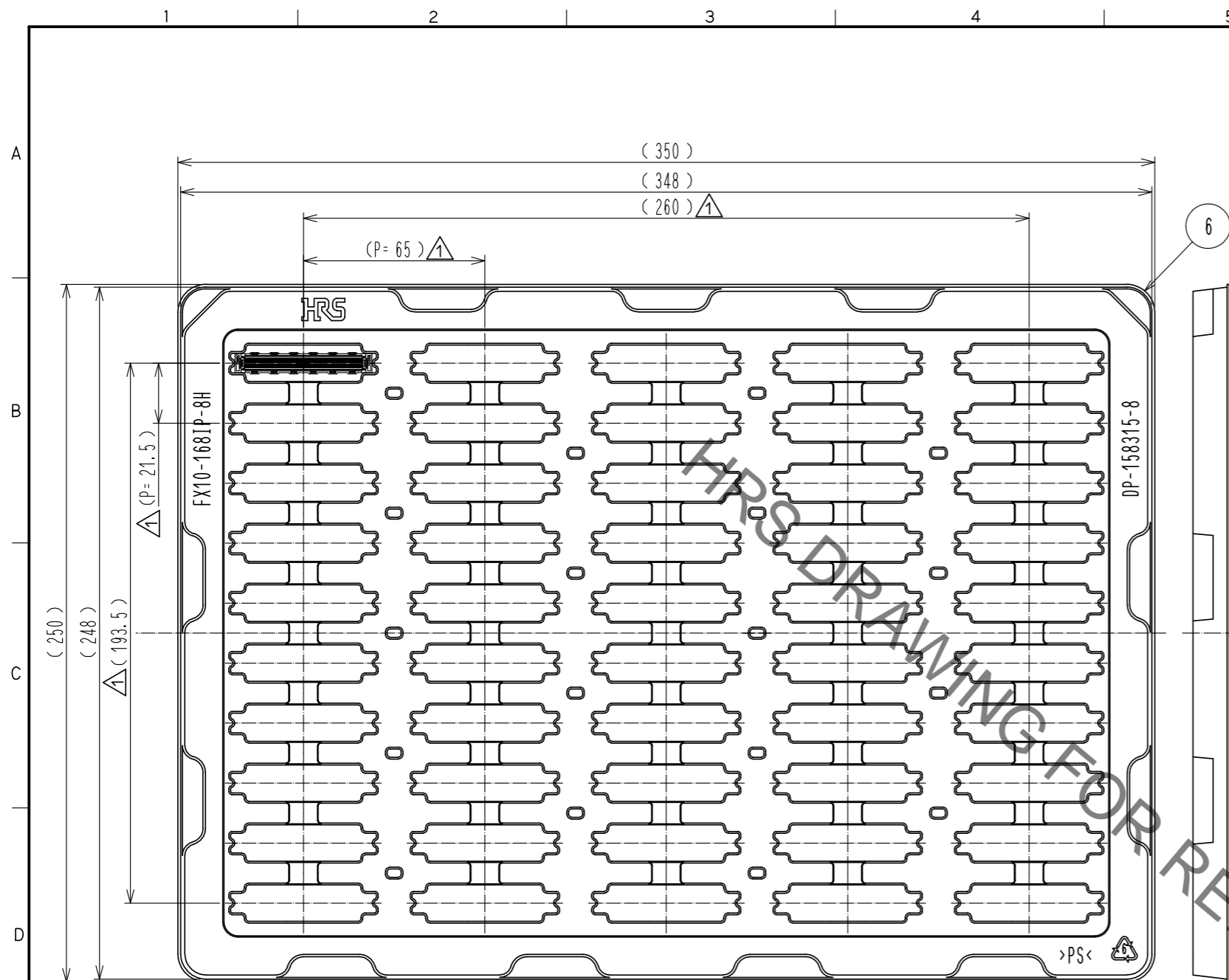


Fig.3 Drawing for packing (1:2) 6

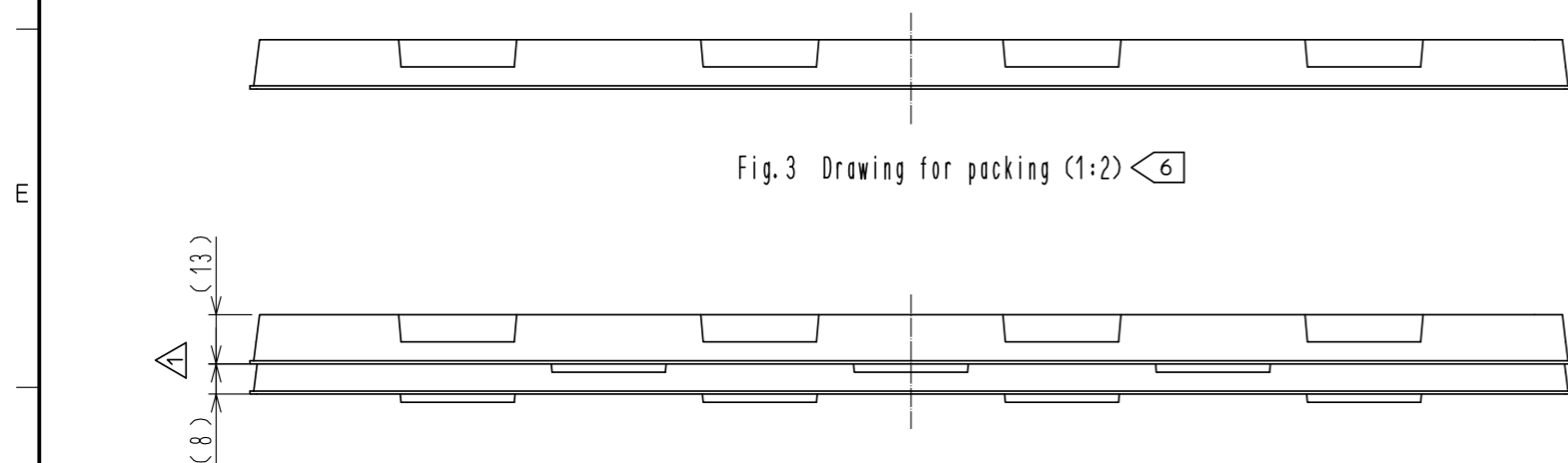


Fig.4 Stacked tray drawing (1:2)

Table.2 Pin configuration of Interposer 4

Row A Pin No.	a1	a2	a3	a4	a5	a6	a7	a8	a9	a10	a11	a12
Pin configuration	G1	S	S	G1	S	S	G1	S	S	G1	S	S
Row A Pin No.	a13	a14	a15	a16	a17	a18	a19	a20	a21	a22	a23	a24
Pin configuration	G1	S	S	G1	S	S	G1	S	S	G1	S	S
Row A Pin No.	a25	a26	a27	a28	a29	a30	a31	a32	a33	a34	a35	a36
Pin configuration	G1	S	S	G1	S	S	G1	S	S	G1	S	S
Row A Pin No.	a37	a38	a39	a40	a41	a42	a43	a44	a45	a46	a47	a48
Pin configuration	G1	S	S	G1	SE	SE	SE	SE	G2	S	S	G2
Row A Pin No.	a49	a50	a51	a52	a53	a54	a55	a56	a57	a58	a59	a60
Pin configuration	S	S	G2	S	S	G2	S	S	G2	S	S	G2
Row A Pin No.	a61	a62	a63	a64	a65	a66	a67	a68	a69	a70	a71	a72
Pin configuration	S	S	G2	S	S	G2	S	S	G2	S	S	G2
Row A Pin No.	a73	a74	a75	a76	a77	a78	a79	a80	a81	a82	a83	a84
Pin configuration	S	S	G2	S	S	G2	S	S	G2	S	S	G2

Row B Pin No.	b1	b2	b3	b4	b5	b6	b7	b8	b9	b10	b11	b12
Pin configuration	G1	S	S	G1	S	S	G1	S	S	G1	S	S
Row B Pin No.	b13	b14	b15	b16	b17	b18	b19	b20	b21	b22	b23	b24
Pin configuration	G1	S	S	G1	S	S	G1	S	S	G1	S	S
Row B Pin No.	b25	b26	b27	b28	b29	b30	b31	b32	b33	b34	b35	b36
Pin configuration	G1	S	S	G1	S	S	G1	S	S	G1	S	S
Row B Pin No.	b37	b38	b39	b40	b41	b42	b43	b44	b45	b46	b47	b48
Pin configuration	G1	S	S	G1	SE	SE	SE	SE	G2	S	S	G2
Row B Pin No.	b49	b50	b51	b52	b53	b54	b55	b56	b57	b58	b59	b60
Pin configuration	S	S	G2	S	S	G2	S	S	G2	S	S	G2
Row B Pin No.	b61	b62	b63	b64	b65	b66	b67	b68	b69	b70	b71	b72
Pin configuration	S	S	G2	S	S	G2	S	S	G2	S	S	G2
Row B Pin No.	b73	b74	b75	b76	b77	b78	b79	b80	b81	b82	b83	b84
Pin configuration	S	S	G2	S	S	G2	S	S	G2	S	S	G2

S: Signal for Differential SE: Signal for Single-ended G1: Common ground 1 G2: Common ground 2

HRS	DRAWING NO.	EDC-354341-03-00
	PART NO.	FX10-168IP-52Q-8PH<03>
	CODE NO.	CL608-0005-4-03 22

X-ON Electronics

Largest Supplier of Electrical and Electronic Components

Click to view similar products for [Board to Board & Mezzanine Connectors](#) category:

Click to view products by [Hirose](#) manufacturer:

Other Similar products are found below :

[589158040000018](#) [MDF7C-18P-2.54DSA\(55\)](#) [FCN-230C068-11](#) [FCN-268F012-G/BD](#) [FCN-268F036-G/BD](#) [FCN-268M012-G/0D](#) [FCN-268M024-G/1D](#) [FCN-723J004/1](#) [MIS-048-01-F-D-DP-K](#) [832-10-034-10-001000](#) [FX4C-80S-1.27DSA](#) [FCN-214Q030-G/0](#) [FCN-234P048-G/0](#) [FCN-235D050-G/C](#) [210-93-314-41-105000](#) [2-22603-0](#) [MDF7-40DP-2.54DSA\(55\)](#) [AXG720047](#) [MIT-114-03-F-D-K](#) [55323-1519](#) [DF33-2P-3.3DSA\(24\)](#) [YFT-20-05-H-03-SB-K](#) [503308-3040](#) [026-6203-PDB](#) [027-6203-PDB](#) [069159702701000](#) [10123981-102LF](#) [101A10019X](#) [55650-0588-C](#) [68682-310LF](#) [68684-306](#) [75140-7012](#) [87471-650](#) [YTW-30-07-H-Q-410-140](#) [FCN-268F024-G0D](#) [10124054-515LF](#) [68685-603](#) [8-1616154-3](#) [MIS-019-01-F-D](#) [FCN-268M024-G/3D](#) [FCN-268M036-G/BD](#) [20021832-06016C1LF](#) [KX15-20KLDL-E1000E](#) [AXE810124](#) [FCN-214J100-G/0](#) [FCN-230C068-E/S](#) [AXE812124](#) [AXE816124](#) [AXE720127](#) [354184](#)