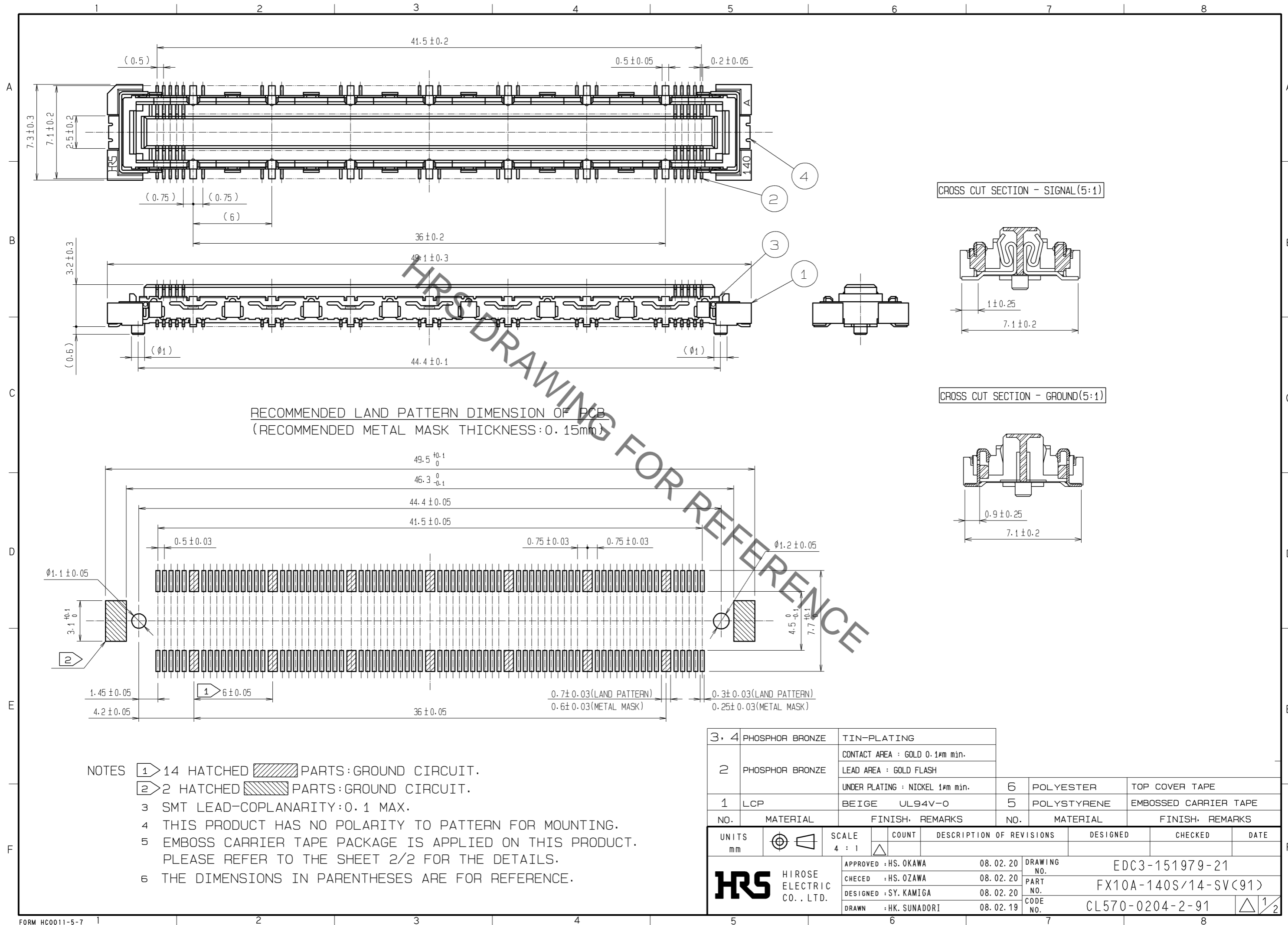


Sep.1.2021 Copyright 2021 HIROSE ELECTRIC CO., LTD. All Rights Reserved.  
In case of consideration for using Automotive equipment / device which demand high reliability, kindly contact our sales window correspondents.



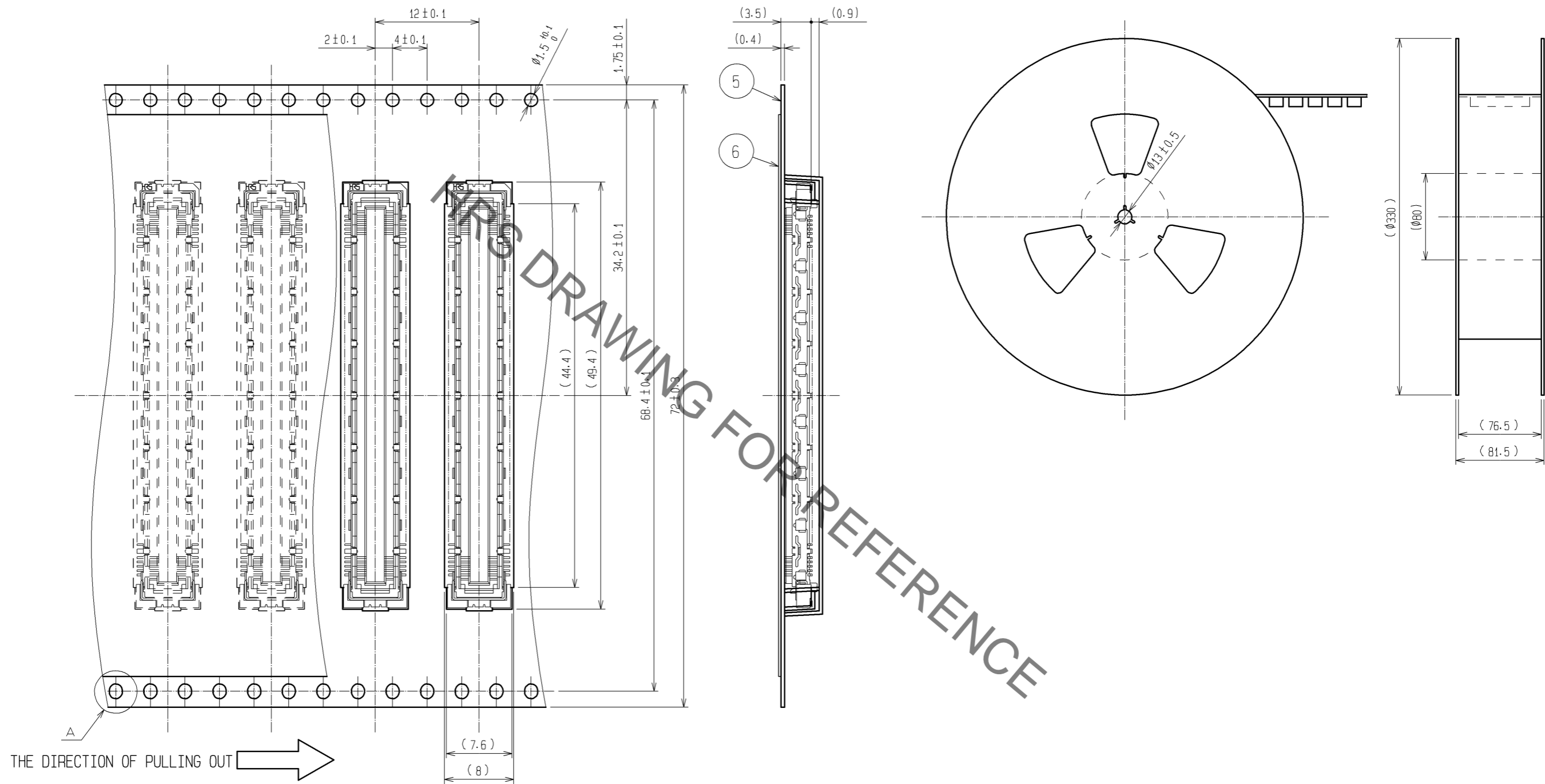
- NOTES
- ① 14 HATCHED PARTS:GROUND CIRCUIT.
  - ② 2 HATCHED PARTS:GROUND CIRCUIT.
  - 3 SMT LEAD-COPLANARITY:0.1 MAX.
  - 4 THIS PRODUCT HAS NO POLARITY TO PATTERN FOR MOUNTING.
  - 5 EMBOSS CARRIER TAPE PACKAGE IS APPLIED ON THIS PRODUCT.  
PLEASE REFER TO THE SHEET 2/2 FOR THE DETAILS.
  - 6 THE DIMENSIONS IN PARENTHESES ARE FOR REFERENCE.

|                                      |                 |                                 |           |                          |                       |         |      |
|--------------------------------------|-----------------|---------------------------------|-----------|--------------------------|-----------------------|---------|------|
| 3, 4                                 | PHOSPHOR BRONZE | TIN-PLATING                     |           |                          |                       |         |      |
|                                      |                 | CONTACT AREA : GOLD 0.1μm min.  |           |                          |                       |         |      |
| 2                                    | PHOSPHOR BRONZE | LEAD AREA : GOLD FLASH          |           |                          |                       |         |      |
|                                      |                 | UNDER PLATING : NICKEL 1μm min. | 6         | POLYESTER                | TOP COVER TAPE        |         |      |
| 1                                    | LCP             | BEIGE UL94V-0                   | 5         | POLYSTYRENE              | EMBOSSED CARRIER TAPE |         |      |
| NO.                                  | MATERIAL        | FINISH, REMARKS                 | NO.       | MATERIAL                 | FINISH, REMARKS       |         |      |
| UNITS<br>mm                          |                 | SCALE<br>4 : 1                  | COUNT<br> | DESCRIPTION OF REVISIONS | DESIGNED              | CHECKED | DATE |
| <b>HRS</b> HIROSE ELECTRIC CO., LTD. |                 | APPROVED : HS. OKAWA            | 08.02.20  | DRAWING NO.              | EDC3-151979-21        |         |      |
|                                      |                 | CHECKED : HS. OZAWA             | 08.02.20  | PART NO.                 | FX10A-140S/14-SV(91)  |         |      |
|                                      |                 | DESIGNED : SY. KAMIGA           | 08.02.20  | CODE NO.                 | CL570-0204-2-91       |         |      |
|                                      |                 | DRAWN : HK. SUNADORI            | 08.02.19  |                          | 1/2                   |         |      |

Sep.1.2021 Copyright 2021 HIROSE ELECTRIC CO., LTD. All Rights Reserved.  
 In case of consideration for using Automotive equipment / device which demand high reliability, kindly contact our sales window correspondents.

DRAWING FOR PACKING(2:1)

REELED DIMENSION(Free)



- NOTES 1 1REEL : 1000 CONNECTORS.  
 2 MINIMUM 10 COMPARTMENTS FROM BOTH REEL ENDS REMAIN EMPTY.  
 3 THIS PRODUCT HAS NO POLARITY TO TAPE AND REEL PACKAGING.  
 4 THE DIMENSIONS IN PARENTHESES ARE FOR REFERENCE.

|            |             |                      |
|------------|-------------|----------------------|
| <b>HRS</b> | DRAWING NO. | EDC3-151979-21       |
|            | PART NO.    | FX10A-140S/14-SV(91) |
|            | CODE NO.    | CL570-0204-2-91      |
|            |             | △ 2/2                |

## X-ON Electronics

Largest Supplier of Electrical and Electronic Components

*Click to view similar products for [Board to Board & Mezzanine Connectors](#) category:*

*Click to view products by [Hirose](#) manufacturer:*

Other Similar products are found below :

[589158040000018](#) [MDF7C-18P-2.54DSA\(55\)](#) [FCN-230C068-11](#) [FCN-268F012-G/BD](#) [FCN-268F036-G/BD](#) [FCN-268M012-G/0D](#) [FCN-268M024-G/1D](#) [FCN-723J004/1](#) [MIS-048-01-F-D-DP-K](#) [832-10-034-10-001000](#) [FX4C-80S-1.27DSA](#) [FCN-214Q030-G/0](#) [FCN-234P048-G/0](#) [FCN-235D050-G/C](#) [210-93-314-41-105000](#) [2-22603-0](#) [MDF7-40DP-2.54DSA\(55\)](#) [AXG720047](#) [MIT-114-03-F-D-K](#) [55323-1519](#) [DF33-2P-3.3DSA\(24\)](#) [YFT-20-05-H-03-SB-K](#) [503308-3040](#) [026-6203-PDB](#) [027-6203-PDB](#) [069159702701000](#) [10123981-102LF](#) [101A10019X](#) [55650-0588-C](#) [68682-310LF](#) [68684-306](#) [75140-7012](#) [87471-650](#) [YTW-30-07-H-Q-410-140](#) [FCN-268F024-G0D](#) [10124054-515LF](#) [68685-603](#) [8-1616154-3](#) [MIS-019-01-F-D](#) [FCN-268M024-G/3D](#) [FCN-268M036-G/BD](#) [20021832-06016C1LF](#) [KX15-20KLDL-E1000E](#) [AXE810124](#) [FCN-214J100-G/0](#) [FCN-230C068-E/S](#) [AXE812124](#) [AXE816124](#) [AXE720127](#) [354184](#)