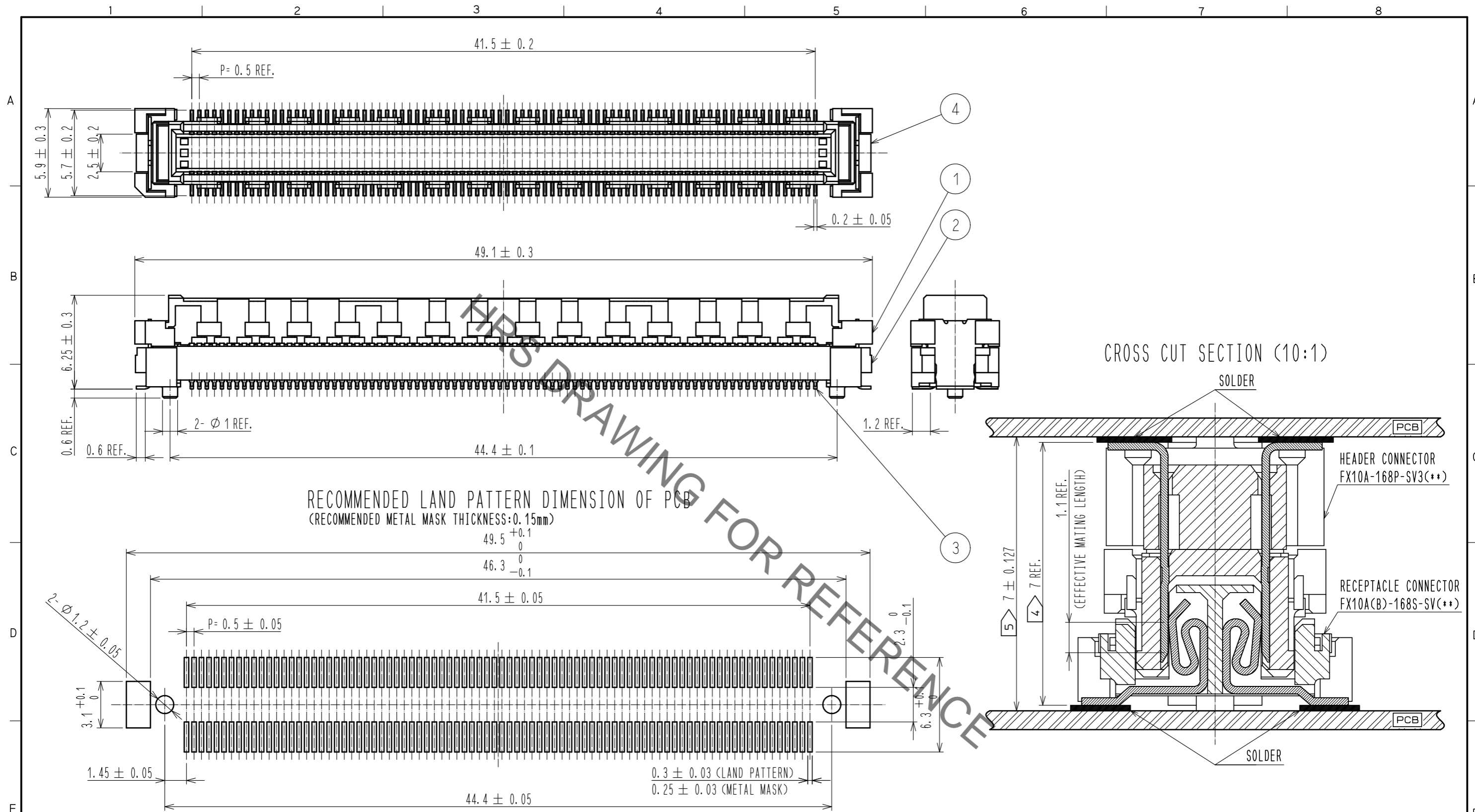


Aug.1.2021 Copyright 2021 HIROSE ELECTRIC CO., LTD. All Rights Reserved.
 In case of consideration for using Automotive equipment / device which demand high reliability, kindly contact our sales window correspondents.



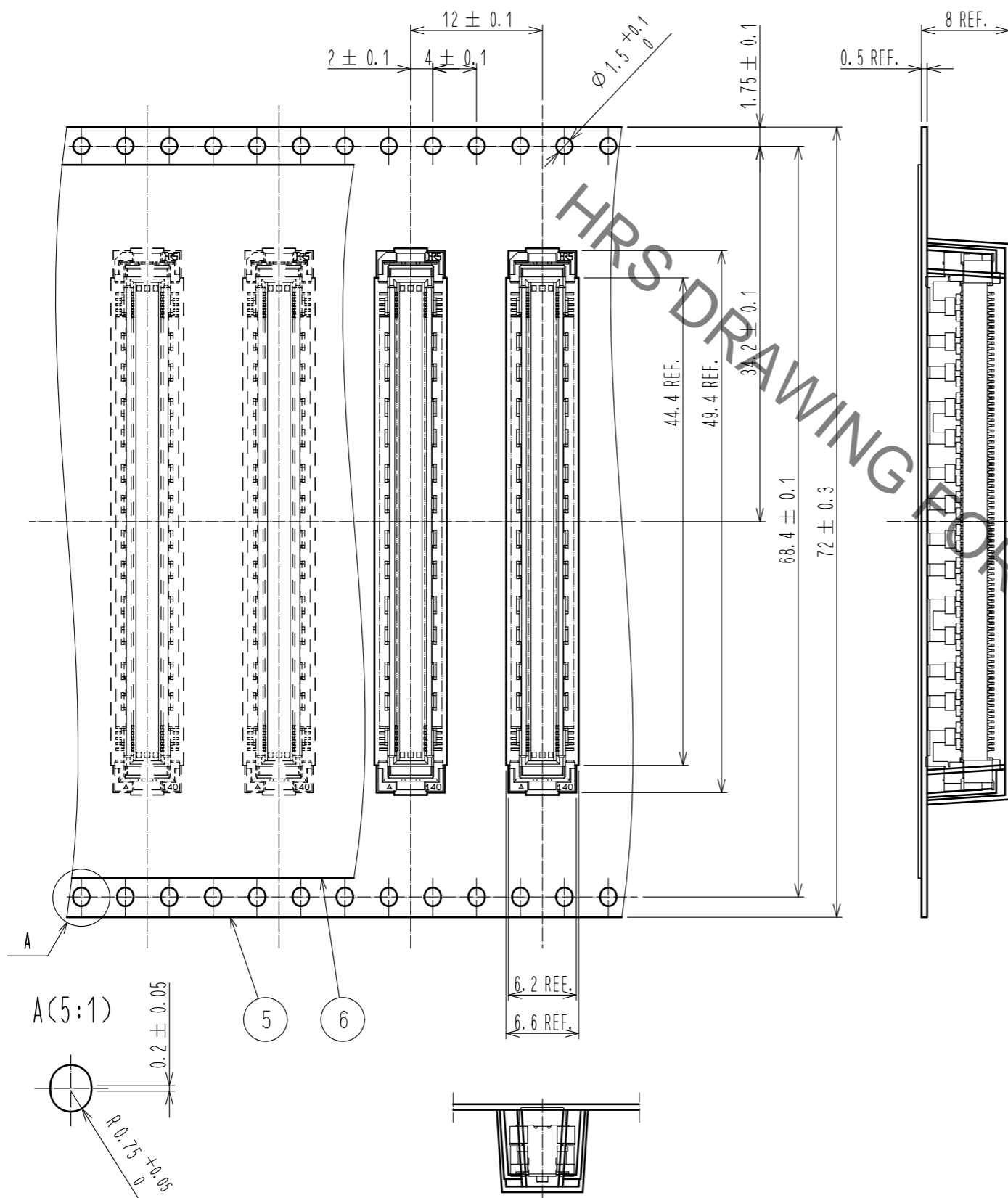
- NOTE
- SMT LEAD-COPLANARITY: 0.1 MAX.
 - THIS PRODUCT HAS NO POLARITY TO PATTERN FOR MOUNTING.
 - STACKING HEIGHT FROM LEAD TO LEAD.
 - BOARD DISTANCE

3	COPPER ARROY	CONTACT: GOLD PLATING 0.76μm MIN LEAD : GOLD PLATING 0.03μm MIN UNDER : NICKEL PLATING 1.3μm MIN	6	PS	TOP COVER TAPE
2	LCP	BEIGE, UL94V-0	5	PS	EMBOSSED CARRIER TAPE
1	LCP	BEIGE, UL94V-0	4	COPPER ARROY	LEAD : GOLD PLATING 0.03μm MIN UNDER : NICKEL PLATING 1.3μm MIN
NO.	MATERIAL	FINISH . REMARKS	NO.	MATERIAL	FINISH . REMARKS
UNITS		SCALE	COUNT	DESCRIPTION OF REVISIONS	
mm		4:1	△	DESIGNED	CHECKED
HRS		APPROVED : NH. NAKATA	16.11.10	DRAWING NO. EDC-330881-85-00	
HIROSE ELECTRIC CO., LTD.		CHECKED : HT. YAMAGUCHI	16.11.10	PART NO. FX10A-168P-SV3(85)	
		DESIGNED : MT. ITANO	16.11.10	CODE NO. CL570-0304-7-85	
		DRAWN : MT. ITANO	16.11.10	1/2	

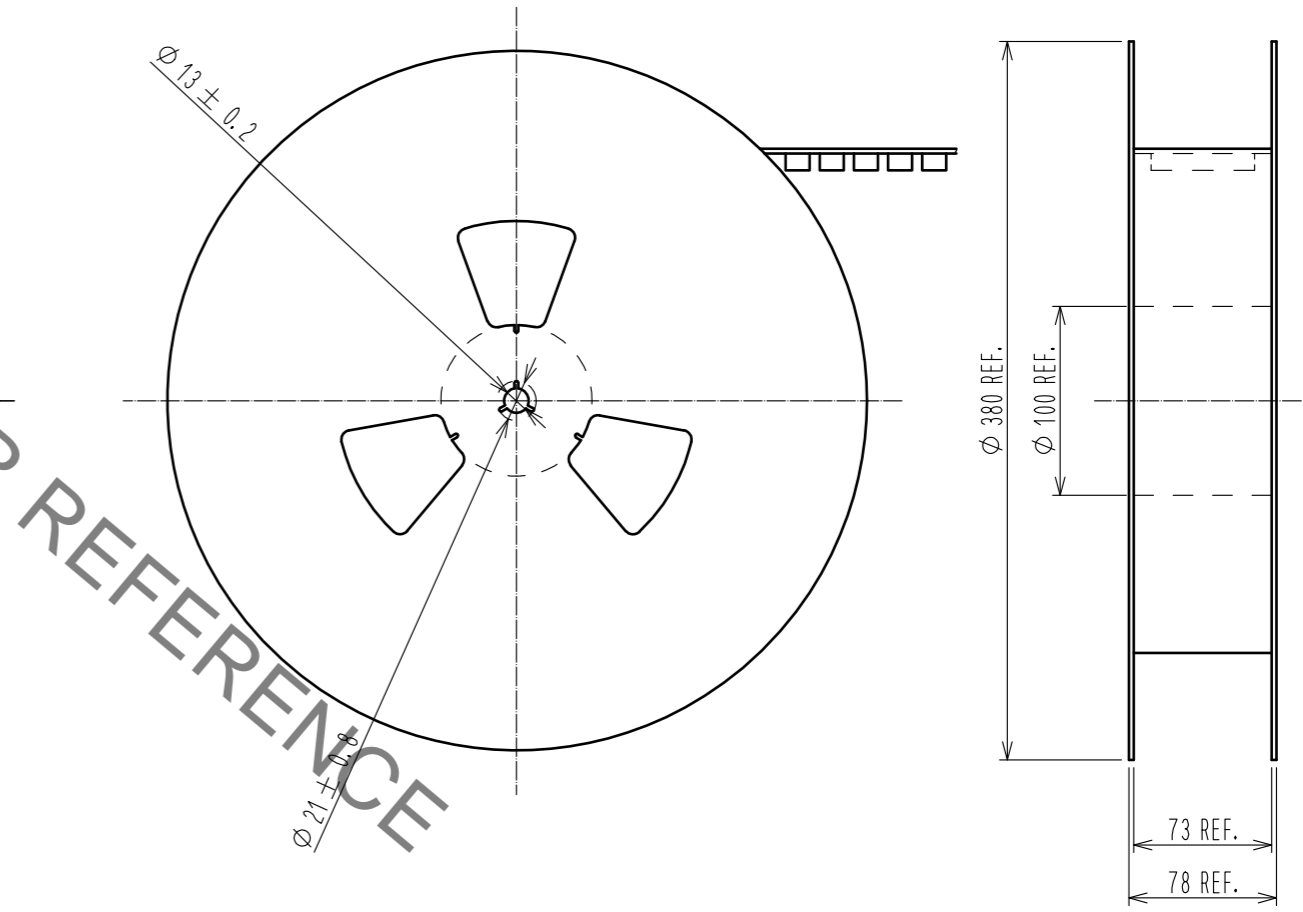
Aug.1.2021 Copyright 2021 HIROSE ELECTRIC CO., LTD. All Rights Reserved.
 In case of consideration for using Automotive equipment / device which demand high reliability, kindly contact our sales window correspondents.

DRAWING FOR PACKING(2:1)

THE DIRECTION OF PULLING OUT 



REELED DIMENSION (FREE)



- NOTE
- 5. 1 REEL: 250 CONNECTORS.
 - 6. MINIMUM 10 COMPARTMENTS FROM BOTH REEL ENDS REMAIN EMPTY.
 - 7. THIS PRODUCT HAS NO POLARITY TO TAPE AND REEL PACKAGING.

X-ON Electronics

Largest Supplier of Electrical and Electronic Components

Click to view similar products for [Board to Board & Mezzanine Connectors](#) category:

Click to view products by [Hirose](#) manufacturer:

Other Similar products are found below :

[589158040000018](#) [MDF7C-18P-2.54DSA\(55\)](#) [FCN-230C068-11](#) [FCN-268F012-G/BD](#) [FCN-268F036-G/BD](#) [FCN-268M012-G/0D](#) [FCN-268M024-G/1D](#) [FCN-723J004/1](#) [MIS-048-01-F-D-DP-K](#) [832-10-034-10-001000](#) [FX4C-80S-1.27DSA](#) [FCN-214Q030-G/0](#) [FCN-234P048-G/0](#) [FCN-235D050-G/C](#) [210-93-314-41-105000](#) [2-22603-0](#) [MDF7-40DP-2.54DSA\(55\)](#) [AXG720047](#) [MIT-114-03-F-D-K](#) [55323-1519](#) [DF33-2P-3.3DSA\(24\)](#) [YFT-20-05-H-03-SB-K](#) [503308-3040](#) [026-6203-PDB](#) [027-6203-PDB](#) [069159702701000](#) [10123981-102LF](#) [101A10019X](#) [55650-0588-C](#) [68682-310LF](#) [68684-306](#) [75140-7012](#) [87471-650](#) [YTW-30-07-H-Q-410-140](#) [FCN-268F024-G0D](#) [10124054-515LF](#) [68685-603](#) [8-1616154-3](#) [MIS-019-01-F-D](#) [FCN-268M024-G/3D](#) [FCN-268M036-G/BD](#) [20021832-06016C1LF](#) [KX15-20KLDL-E1000E](#) [AXE810124](#) [FCN-214J100-G/0](#) [FCN-230C068-E/S](#) [AXE812124](#) [AXE816124](#) [AXE720127](#) [354184](#)