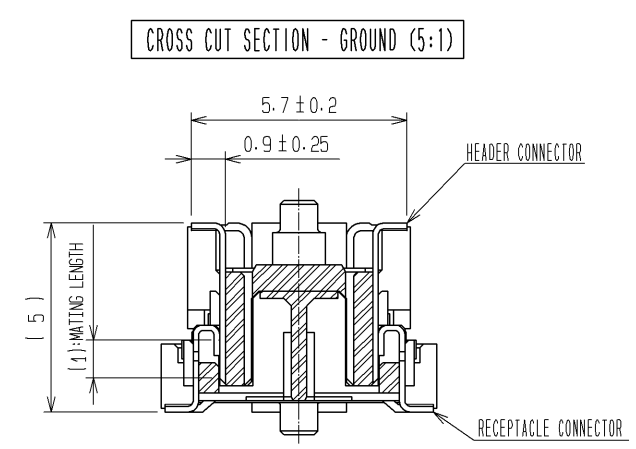
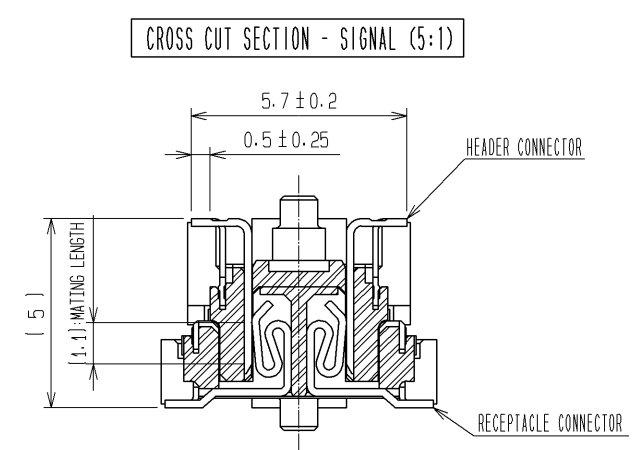
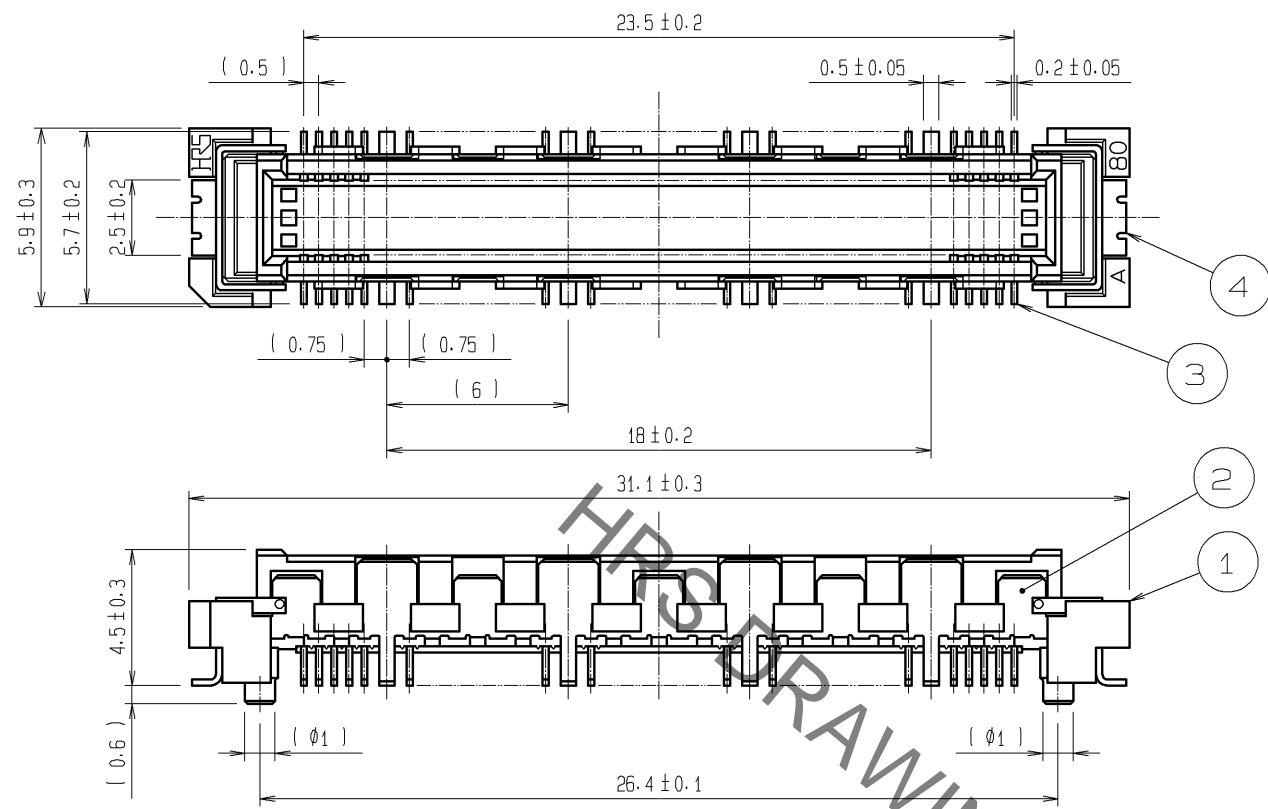
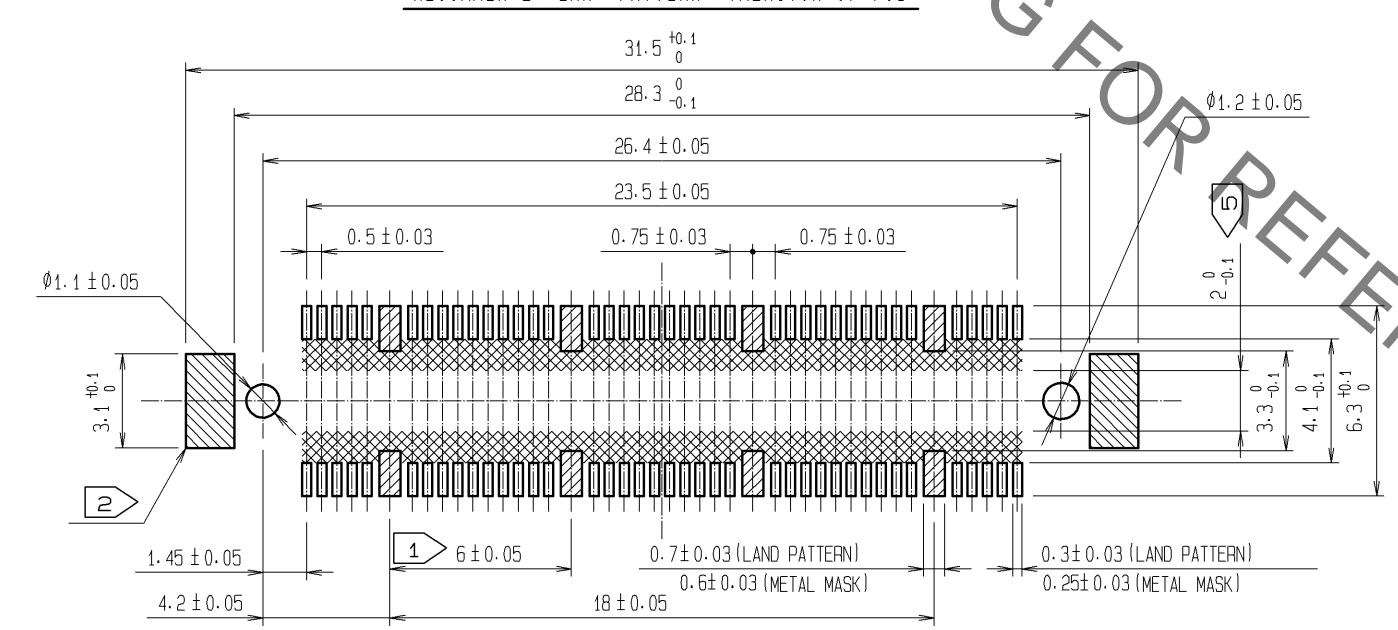


Sep.1.2021 Copyright 2021 HIROSE ELECTRIC CO., LTD. All Rights Reserved.  
In case of consideration for using Automotive equipment / device which demand high reliability, kindly contact our sales window correspondents.



RECOMMENDED LAND PATTERN DIMENSION OF PCB



- NOTES
- 1 8 HATCHED PARTS:GROUND CIRCUIT.
  - 2 2 HATCHED PARTS:GROUND CIRCUIT.
  - 3 SMT LEAD-COPLANARITY:0.1MAX.
  - 4 THIS PRODUCT HAS NO POLARITY TO PATTERN FOR MOUNTING.
  - 5 MAKE SURE WIDTH OF PATTERN IS WITHIN THAT OF LAND. OR LEAD MAY TOUCH PATTERN. (THIS APPLIES TO HATCHED AREA.)
  - 6 EMBOSS CARRIER TAPE PACKAGE IS APPLIED ON THIS PRODUCT. PLEASE REFER TO THE SHEET 2/2 FOR THE DETAILS.
  - 7 THE DIMENSIONS IN PARENTHESES ARE FOR REFERENCE.

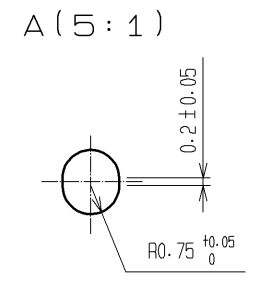
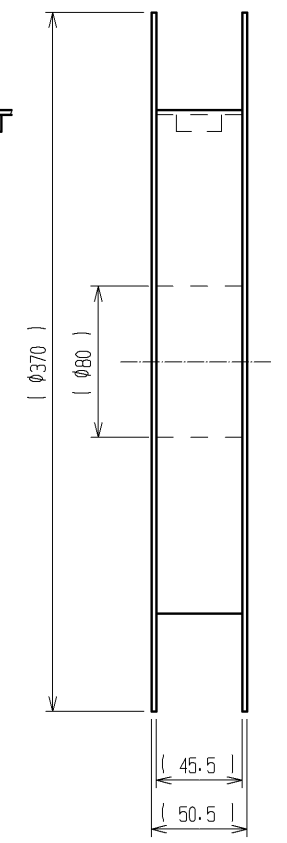
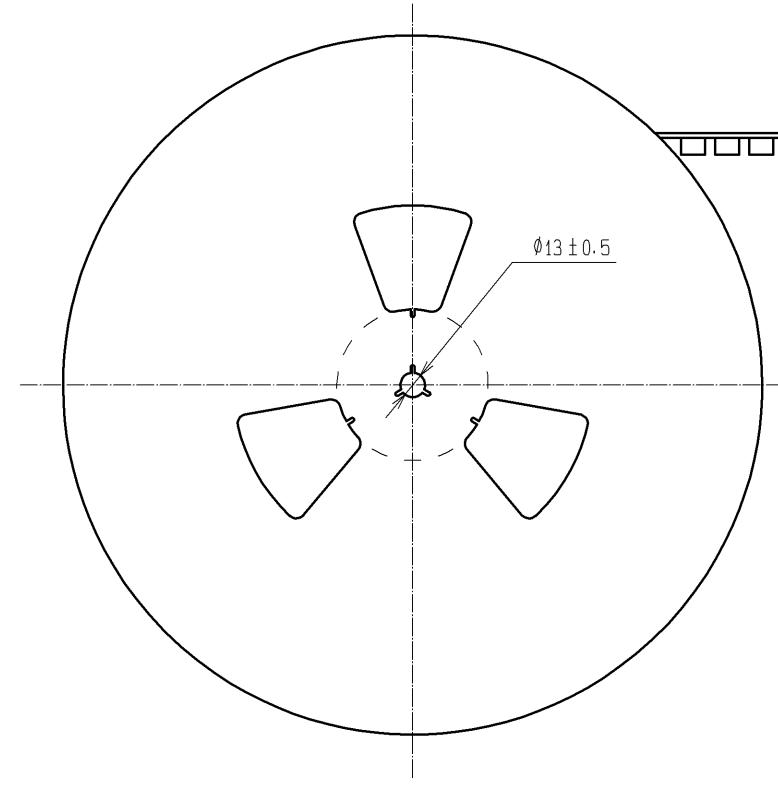
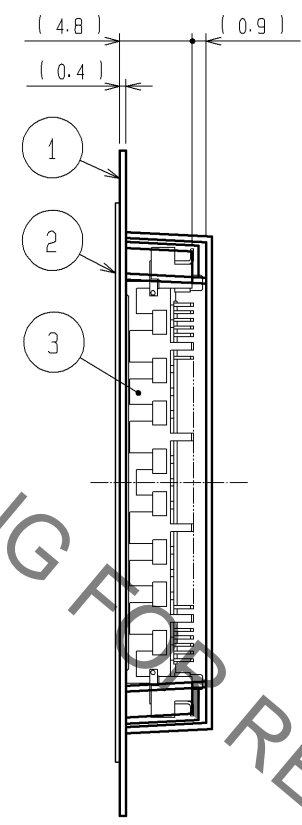
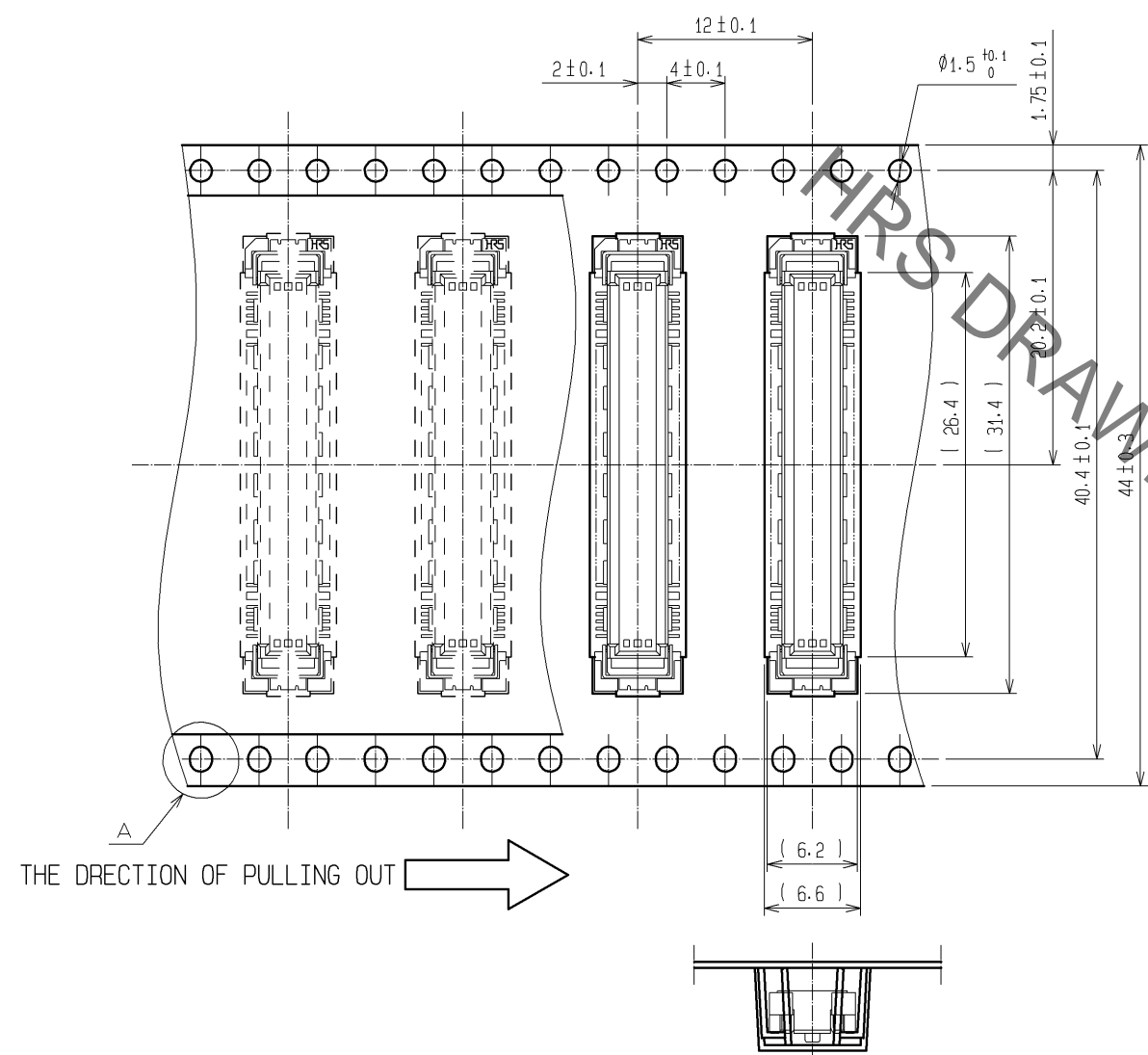
2	PHOSPHOR BRONZE	TIN-PLATING	4	PHOSPHOR BRONZE	TIN-PLATING
1	LCP	BEIGE UL94V-0	3	PHOSPHOR BRONZE	CONTACT AREA:GOLD 0.1μm min. LEAD AREA:TIN 1μm min. UNDER PLATING:NICKEL 1μm min.
NO.	MATERIAL	FINISH . REMARKS	NO.	MATERIAL	FINISH . REMARKS

UNITS		SCALE	COUNT	DESCRIPTION OF REVISIONS	DESIGNED	CHECKED	DATE
mm		4 : 1	△				
<b>HRS</b> HIROSE ELECTRIC CO., LTD.		APPROVED : HS. OKAWA	07.03.22	DRAWING NO.		EDC3-151960-21	
		CHECED : HS. OZAWA	07.03.22	PART NO.		FX10A-80P/8-SV1(91)	
		DESIGNED : KT. DOI	07.03.22	CODE NO.		CL570-0101-0-91	
		DRAWN : TS. MIYAKI	07.03.19			1/2	

# DRAWING FOR PACKING

REELED DIMENSION(FREE)



- NOTES
- 1 REEL:1000 CONNECTORS.
  - MINIMUM 10 COMPARTMENTS FROM BOTH REEL ENDS REMAIN EMPTY.
  - THIS PRODUCT HAS NO POLARITY TO TAPE AND REEL PACKAGING.
  - THE DIMENSIONS IN PARENTHESSES ARE FOR REFERENCE.

2	POLYESTER	TOP COVER TAPE				
1	PS	EMBOSS CARRIER TAPE	3		(CONNECTOR)	
NO.	MATERIAL	FINISH . REMARKS	NO.	MATERIAL	FINISH . REMARKS	
UNITS mm		SCALE 2 : 1		COUNT	DESCRIPTION OF REVISIONS	DESIGNED
						CHECKED
						DATE
<b>HRS</b> HIROSE ELECTRIC CO., LTD.		APPROVED : HS. OKAWA	07.03.22	DRAWING NO.	EDC3-151960-21	
		CHECED : HS. OZAWA	07.03.22	PART NO.	FX10A-80P/8-SV1(91)	
		DESIGNED : KT. DOI	07.03.22	CODE NO.	CL570-0101-0-91	
		DRAWN : TS. MIYAKI	07.03.19			

Sep.1.2021 Copyright 2021 HIROSE ELECTRIC CO., LTD. All Rights Reserved. In case of consideration for using Automotive equipment / device which demand high reliability, kindly contact our sales window correspondents.

## X-ON Electronics

Largest Supplier of Electrical and Electronic Components

*Click to view similar products for [Board to Board & Mezzanine Connectors](#) category:*

*Click to view products by [Hirose](#) manufacturer:*

Other Similar products are found below :

[589158040000018](#) [MDF7C-18P-2.54DSA\(55\)](#) [FCN-230C068-11](#) [FCN-268F012-G/BD](#) [FCN-268F036-G/BD](#) [FCN-268M012-G/0D](#) [FCN-268M024-G/1D](#) [FCN-723J004/1](#) [MIS-048-01-F-D-DP-K](#) [832-10-034-10-001000](#) [FX4C-80S-1.27DSA](#) [FCN-214Q030-G/0](#) [FCN-234P048-G/0](#) [FCN-235D050-G/C](#) [210-93-314-41-105000](#) [2-22603-0](#) [MDF7-40DP-2.54DSA\(55\)](#) [AXG720047](#) [MIT-114-03-F-D-K](#) [55323-1519](#) [DF33-2P-3.3DSA\(24\)](#) [YFT-20-05-H-03-SB-K](#) [503308-3040](#) [026-6203-PDB](#) [027-6203-PDB](#) [069159702701000](#) [10123981-102LF](#) [101A10019X](#) [55650-0588-C](#) [68682-310LF](#) [68684-306](#) [75140-7012](#) [87471-650](#) [YTW-30-07-H-Q-410-140](#) [FCN-268F024-G0D](#) [10124054-515LF](#) [68685-603](#) [8-1616154-3](#) [MIS-019-01-F-D](#) [FCN-268M024-G/3D](#) [FCN-268M036-G/BD](#) [20021832-06016C1LF](#) [KX15-20KLDL-E1000E](#) [AXE810124](#) [FCN-214J100-G/0](#) [FCN-230C068-E/S](#) [AXE812124](#) [AXE816124](#) [AXE720127](#) [354184](#)