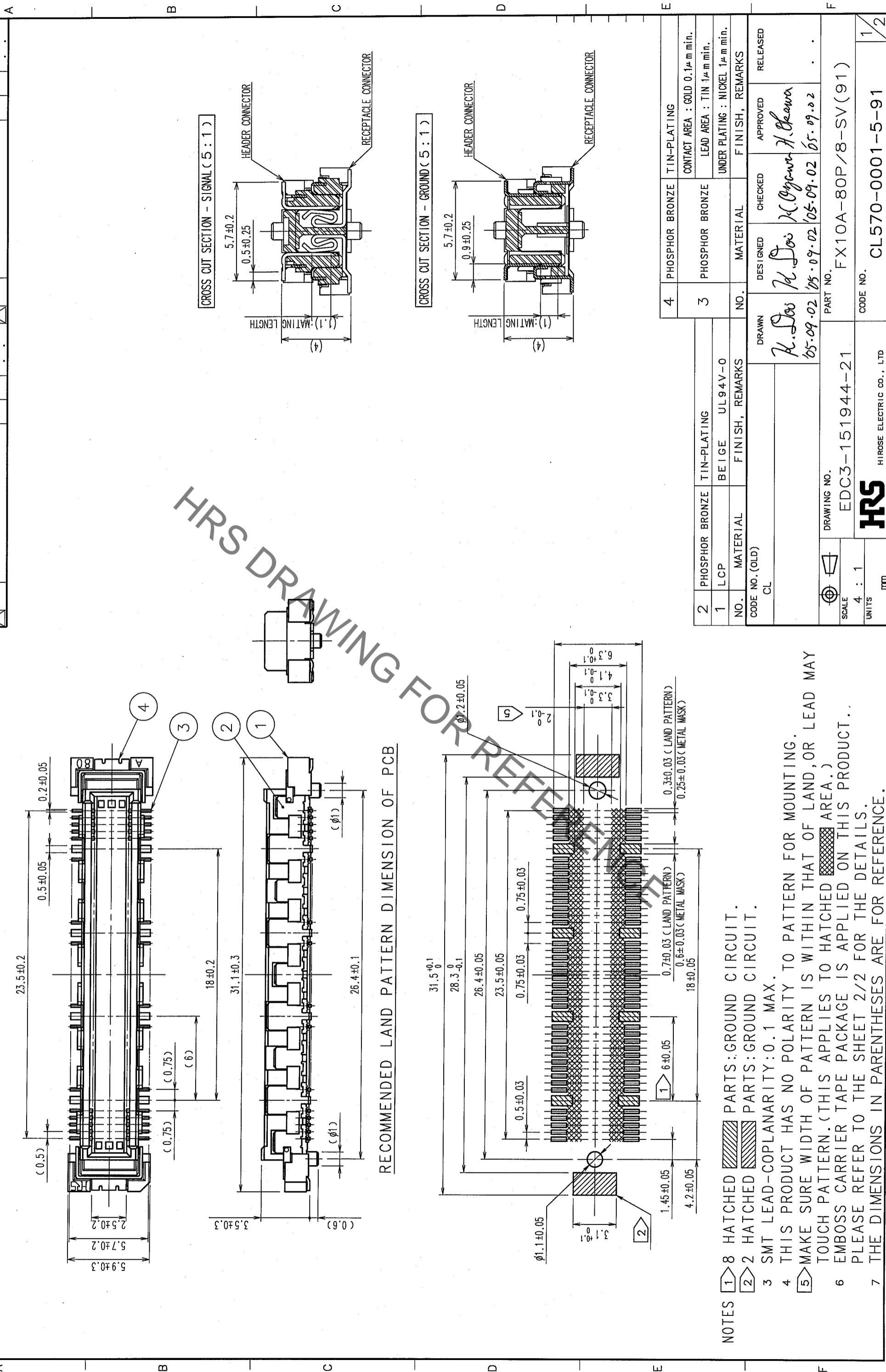


COUNT	DESCRIPTION OF REVISIONS	BY	CHKD	DATE	COUNT	DESCRIPTION OF REVISIONS	BY	CHKD	DATE
△					△				
△					△				
△					△				



HRS DRAWING FOR REFERENCE

RECOMMENDED LAND PATTERN DIMENSION OF PCB

- NOTES
- 1 HATCHED PARTS: GROUND CIRCUIT.
 - 2 HATCHED PARTS: GROUND CIRCUIT.
 - 3 SMT LEAD-COPLANARITY: 0.1 MAX.
 - 4 THIS PRODUCT HAS NO POLARITY TO PATTERN FOR MOUNTING.
 - 5 MAKE SURE WIDTH OF PATTERN IS WITHIN THAT OF LAND, OR LEAD MAY TOUCH PATTERN. (THIS APPLIES TO HATCHED AREA.)
 - 6 EMBOSS CARRIER TAPE PACKAGE IS APPLIED ON THIS PRODUCT. PLEASE REFER TO THE SHEET 2/2 FOR THE DETAILS.
 - 7 THE DIMENSIONS IN PARENTHESES ARE FOR REFERENCE.

NO.	PHOSPHOR BRONZE	TIN-PLATING	TIN-PLATING
2	PHOSPHOR BRONZE	BEIGE	UL94V-0
1	LCP	BEIGE	UL94V-0
NO.	MATERIAL	FINISH, REMARKS	
4	PHOSPHOR BRONZE	TIN-PLATING	CONTACT AREA : GOLD 0.1μm min. LEAD AREA : TIN 1μm min.
3	PHOSPHOR BRONZE	TIN-PLATING	UNDER PLATING : NICKEL 1μm min.
NO.	MATERIAL	FINISH, REMARKS	

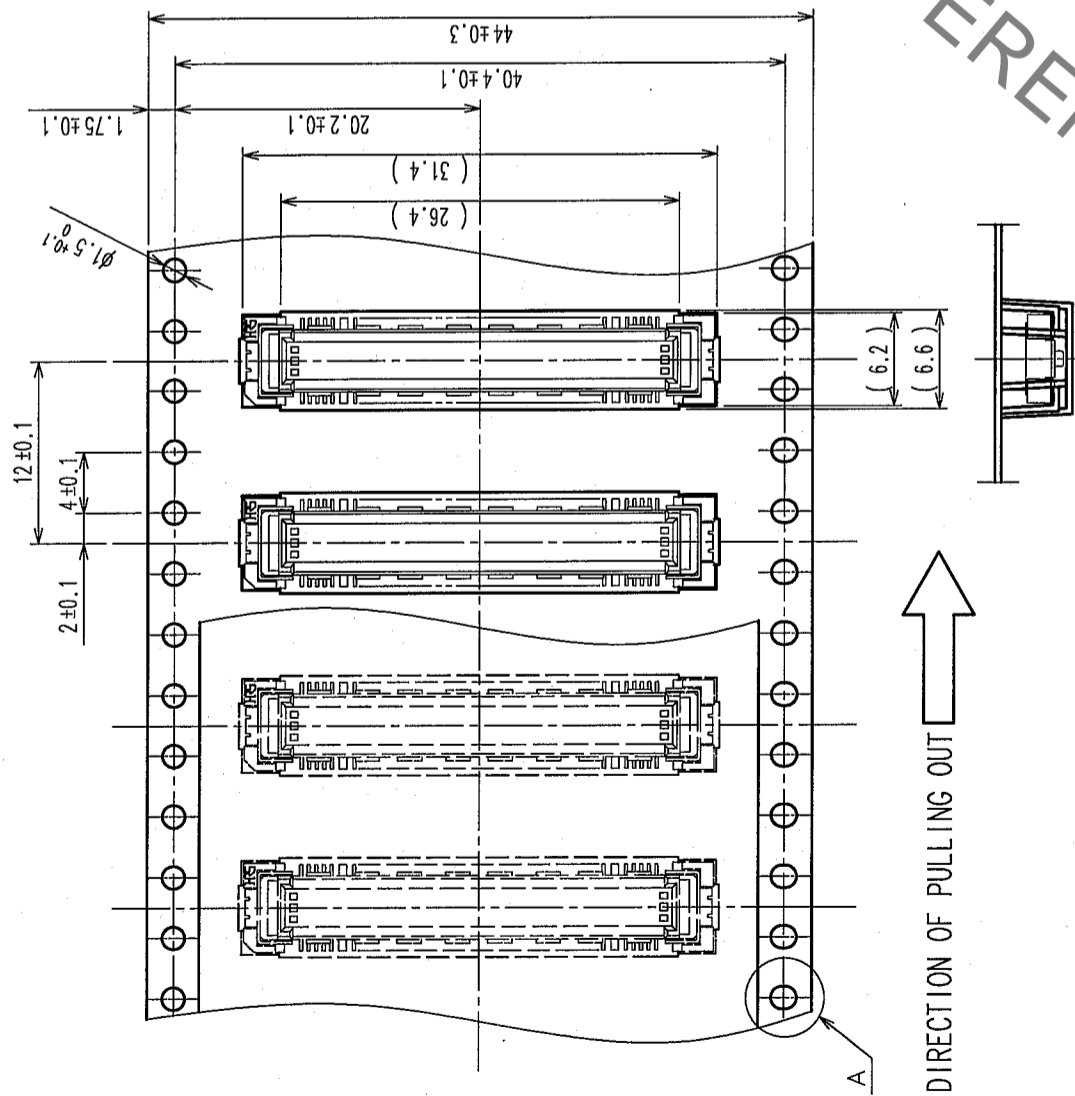
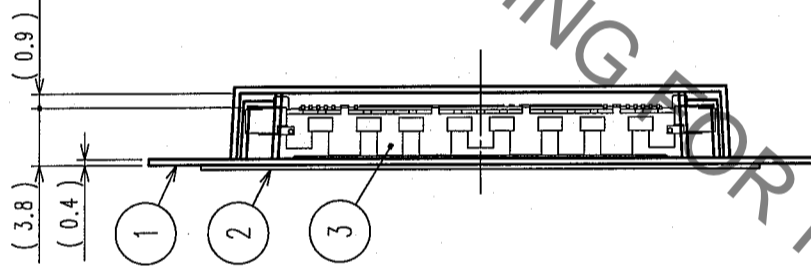
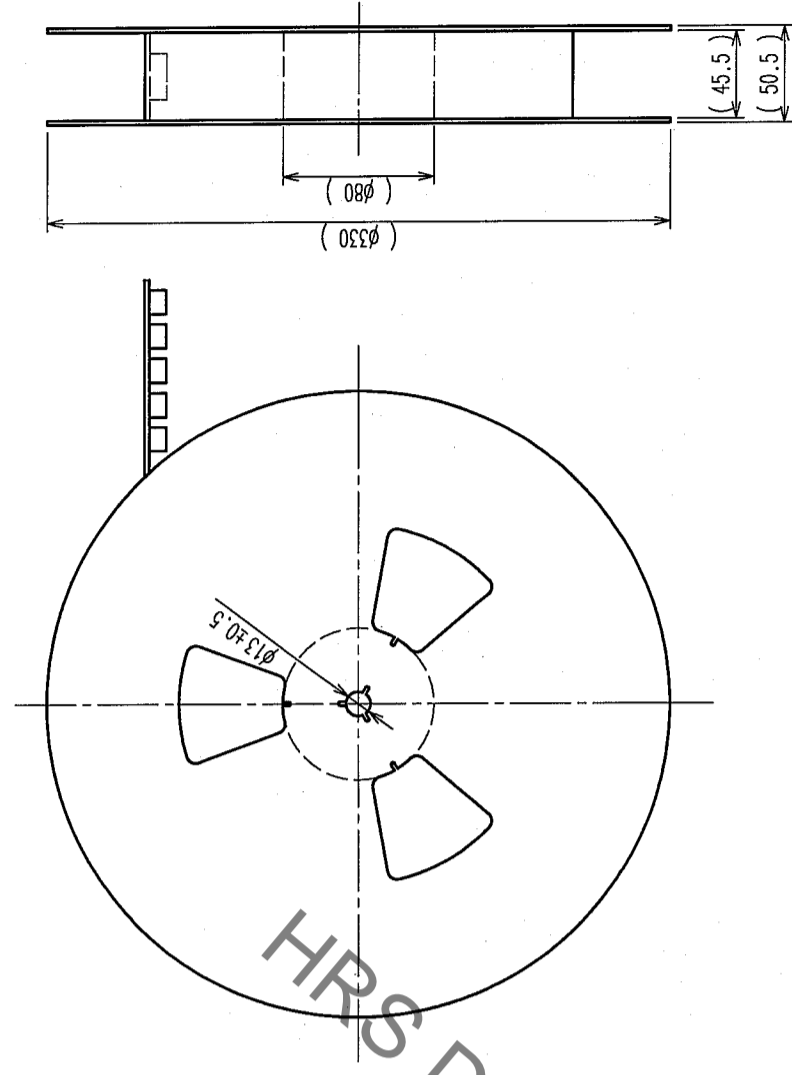
DRAWN	DESIGNED	CHECKED	APPROVED	RELEASED
K. Sato	K. Sato	K. Ogawa	K. Sato	K. Sato
05-09-02	05-09-02	05-09-02	05-09-02	05-09-02

SCALE	DRAWING NO.	PART NO.
4 : 1	EDC3-151944-21	FX10A-80P/8-SV(91)
UNITS		
mm		
	CODE NO.	CL570-0001-5-91

TO	
PCK	

COUNT	DESCRIPTION OF REVISIONS	BY	CHKD	DATE	COUNT	DESCRIPTION OF REVISIONS	BY	CHKD	DATE
△					△				
△					△				
△					△				

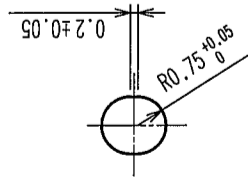
REELED DIMENSION(Free)



THE DIRECTION OF PULLING OUT

- NOTES
- 1 REEL: 1000 CONNECTORS.
 - 2 MINIMUM 10 COMPARTMENTS FROM BOTH REEL ENDS REMAIN EMPTY.
 - 3 THIS PRODUCT HAS NO POLARITY TO TAPE AND REEL PACKAGING.
 - 4 THE DIMENSIONS IN PARENTHESES ARE FOR REFERENCE.

A (5:1)



POLYESTER		TOP COVER TAPE		POLYSTYRENE		EMBOSSED CARRIER TAPE		(CONNECTOR)	
NO.	MATERIAL	FINISH, REMARKS	NO.	MATERIAL	FINISH, REMARKS	NO.	MATERIAL	FINISH, REMARKS	RELEASED
2			3						
DRAWING FOR PACKING		DRAWN		DESIGNED		CHECKED		APPROVED	
CL		H. Doi		H. Doi		K. Ogawa		H. Okawa	
CODE NO. (OLD)		'05-09-02		'05-09-02		'05-09-02		'05-09-02	
DRAWING NO.		EDC3-151944-21		PART NO.		FX10A-80P/8-SV(91)			
SCALE		2:1		CODE NO.		CL570-0001-5-91			
UNITS		mm		HIROSE ELECTRIC CO., LTD					

TO	
PCK	

X-ON Electronics

Largest Supplier of Electrical and Electronic Components

Click to view similar products for [Board to Board & Mezzanine Connectors](#) category:

Click to view products by [Hirose](#) manufacturer:

Other Similar products are found below :

[589158040000018](#) [MDF7C-18P-2.54DSA\(55\)](#) [FCN-230C068-11](#) [FCN-268F012-G/BD](#) [FCN-268F036-G/BD](#) [FCN-268M012-G/0D](#) [FCN-268M024-G/1D](#) [FCN-723J004/1](#) [MIS-048-01-F-D-DP-K](#) [832-10-034-10-001000](#) [FX4C-80S-1.27DSA](#) [FCN-214Q030-G/0](#) [FCN-234P048-G/0](#) [FCN-235D050-G/C](#) [210-93-314-41-105000](#) [2-22603-0](#) [MDF7-40DP-2.54DSA\(55\)](#) [AXG720047](#) [MIT-114-03-F-D-K](#) [55323-1519](#) [DF33-2P-3.3DSA\(24\)](#) [YFT-20-05-H-03-SB-K](#) [503308-3040](#) [026-6203-PDB](#) [027-6203-PDB](#) [069159702701000](#) [10123981-102LF](#) [101A10019X](#) [55650-0588-C](#) [68682-310LF](#) [68684-306](#) [75140-7012](#) [87471-650](#) [YTW-30-07-H-Q-410-140](#) [FCN-268F024-G0D](#) [10124054-515LF](#) [68685-603](#) [8-1616154-3](#) [MIS-019-01-F-D](#) [FCN-268M024-G/3D](#) [FCN-268M036-G/BD](#) [20021832-06016C1LF](#) [KX15-20KLDL-E1000E](#) [AXE810124](#) [FCN-214J100-G/0](#) [FCN-230C068-E/S](#) [AXE812124](#) [AXE816124](#) [AXE720127](#) [354184](#)