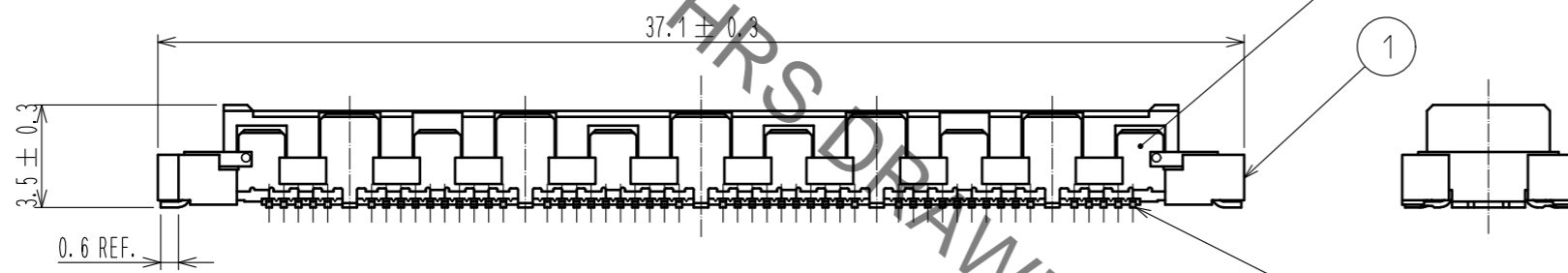
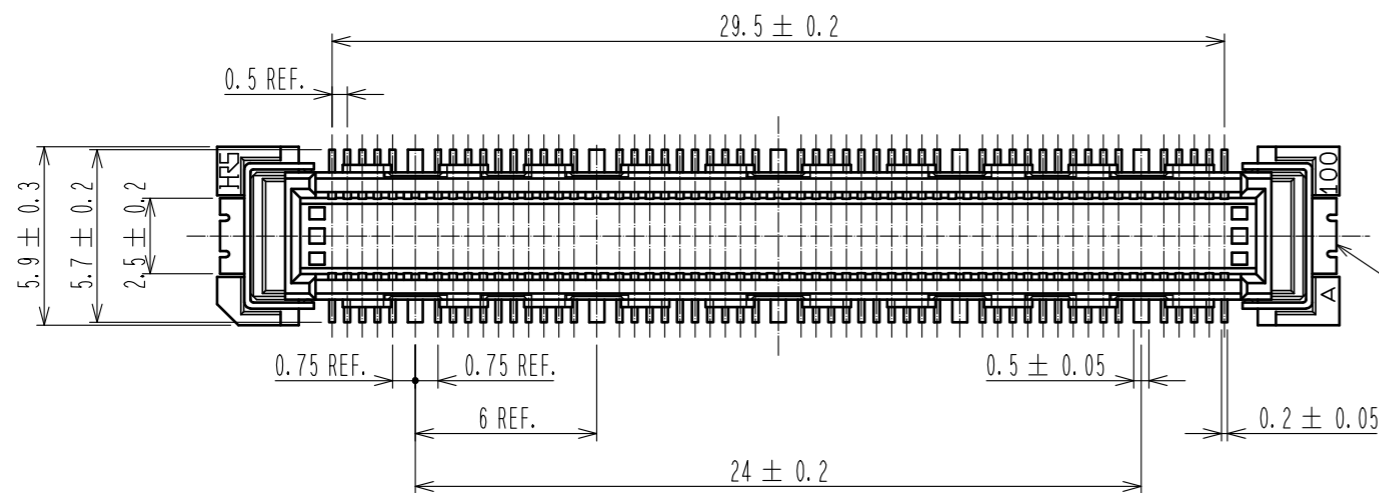
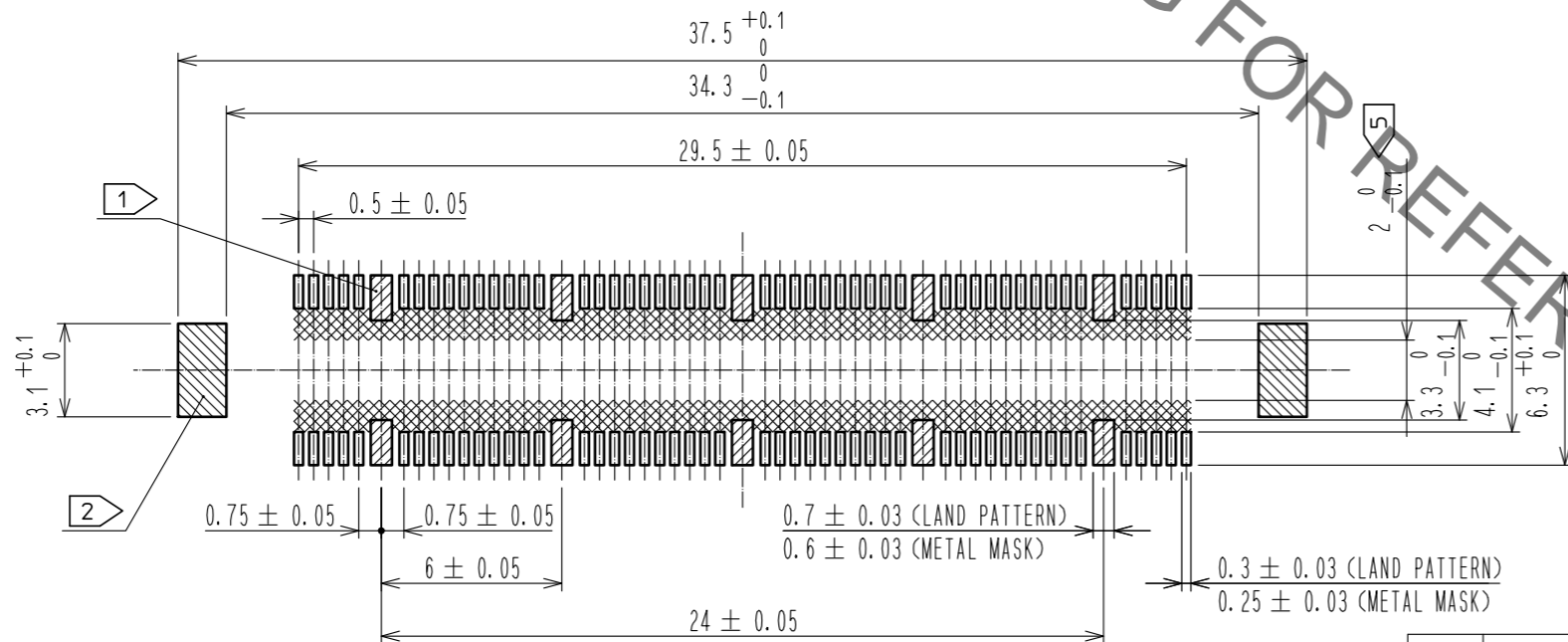


Dec.1.2021 Copyright 2021 HIROSE ELECTRIC CO., LTD. All Rights Reserved.
 In case of consideration for using Automotive equipment / device which demand high reliability, kindly contact our sales window correspondents.

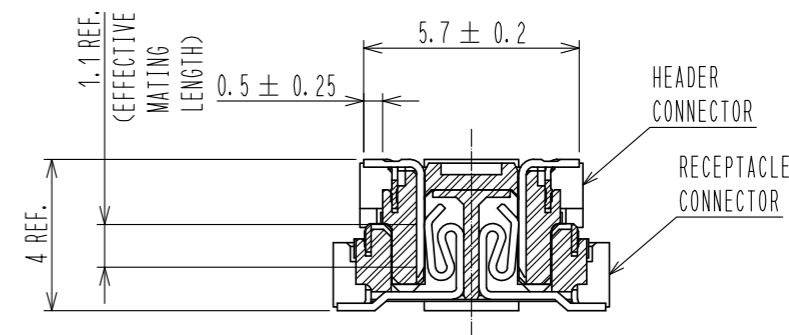


RECOMMENDED LAND PATTERN DIMENSION OF PCB
 (RECOMMENDED METAL MASK THICKNESS:0.15mm)

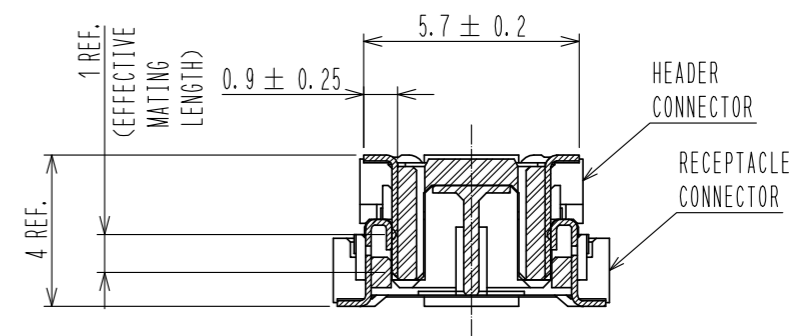


- NOTE
- 1 10 HATCHED PARTS:GROUND CIRCUIT.
 - 2 2 HATCHED PARTS:GROUND CIRCUIT.
 - 3. SMT LEAD-COPLANARITY:0.1 MAX.
 - 4. THIS PRODUCT HAS NO POLARITY TO PATTERN FOR MOUNTING.
 - 5 MAKE SURE WIDTH OF PATTERN IS WITHIN THAT OF LAND, OR LEAD MAY TOUCH PATTERN.
 (THIS APPLIES TO HATCHED AREA.)
 - 6. EMBOSS CARRIER TAPE PACKAGE IS APPLIED ON THIS PRODUCT.
 PLEASE REFER TO THE SHEET 2/2 FOR THE DETAILS.

CROSS CUT SECTION - SIGNAL(5:1)



CROSS CUT SECTION - GROUND(5:1)



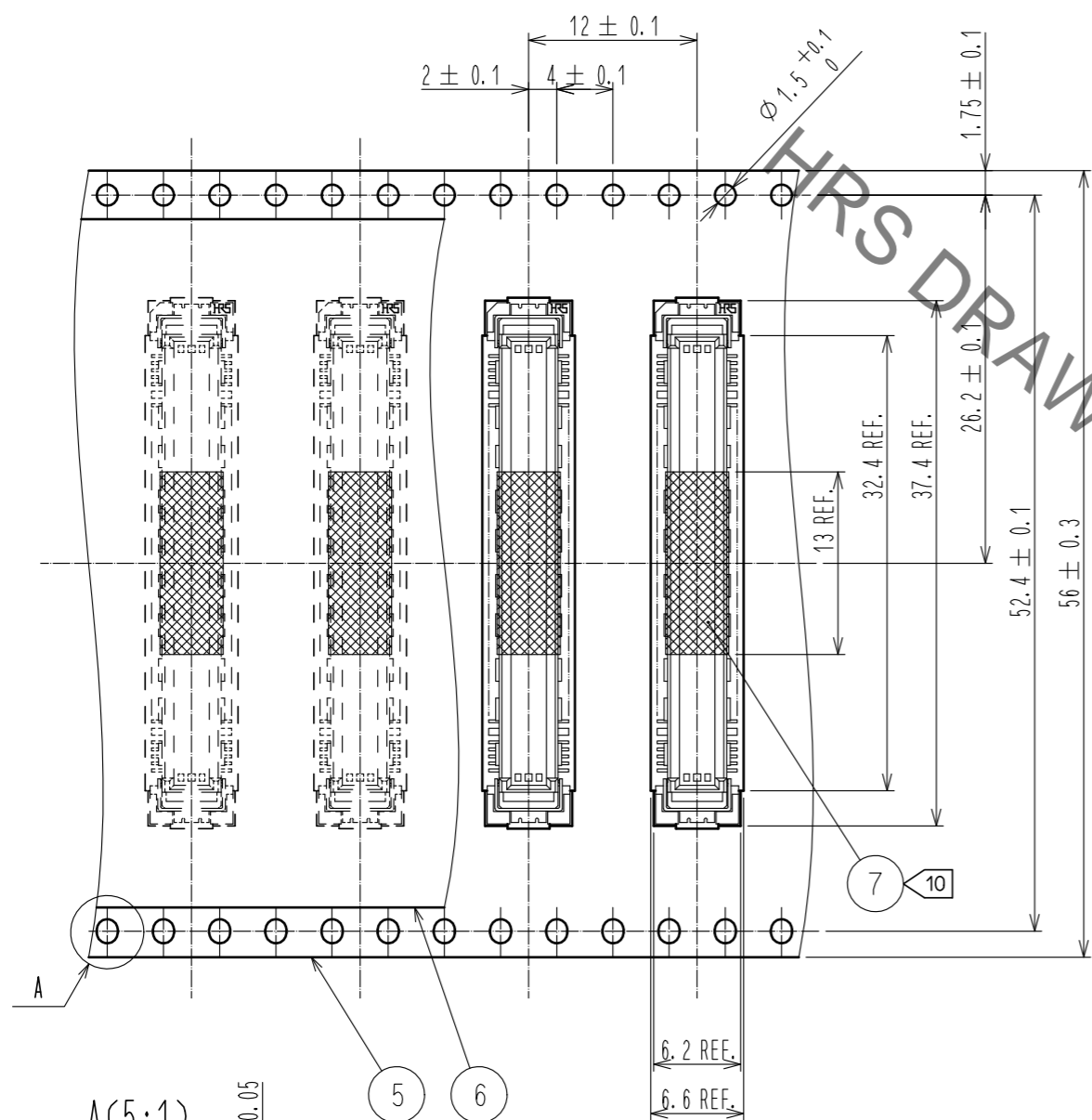
3	PHOSPHOR BRONZE	CONTACT: GOLD PLATING 0.1μm MIN LEAD : TIN PLATING 1μm MIN UNDER :NICKEL PLATING 1μm MIN	7	POLYIMIDE	PICK & PLACE TAPE
2	PHOSPHOR BRONZE	OVER : TIN PLATING 1μm MIN UNDER :NICKEL PLATING 1μm MIN	6	PS	TOP COVER TAPE
1	LCP	BEIGE, UL94V-0	5	PS	EMBOSSED CARRIER TAPE
NO.	MATERIAL	FINISH . REMARKS	NO.	MATERIAL	FINISH . REMARKS

UNITS	SCALE	COUNT	DESCRIPTION OF REVISIONS	DESIGNED	CHECKED	DATE
mm	4:1	△				
APPROVED :NH. NAKATA			16.11.10	DRAWING NO. EDC-151949-92-00		
CHECKED :HT. YAMAGUCHI			16.11.10	PART NO. FX10B-100P/10-SV(92)		
DESIGNED :MT. ITANO			16.11.10	CODE NO. CL570-0022-5-92		
DRAWN :MT. ITANO			16.11.10	1/2		

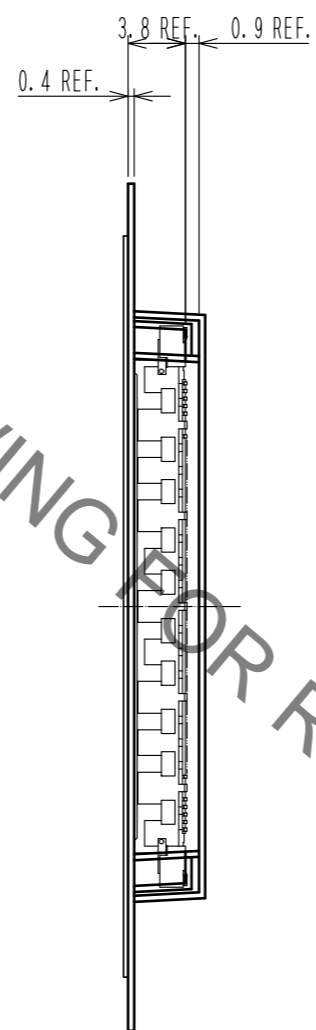
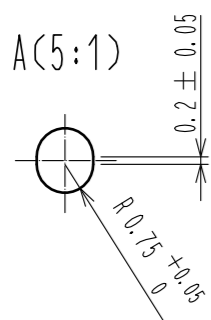
Dec.1.2021 Copyright 2021 HIROSE ELECTRIC CO., LTD. All Rights Reserved.
In case of consideration for using Automotive equipment / device which demand high reliability, kindly contact our sales window correspondents.

DRAWING FOR PACKING(2:1)

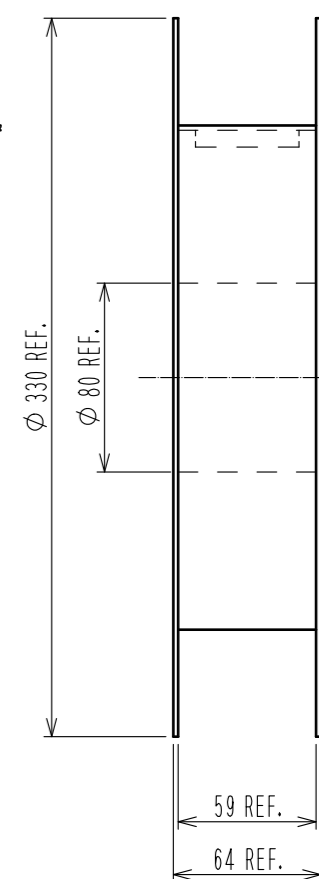
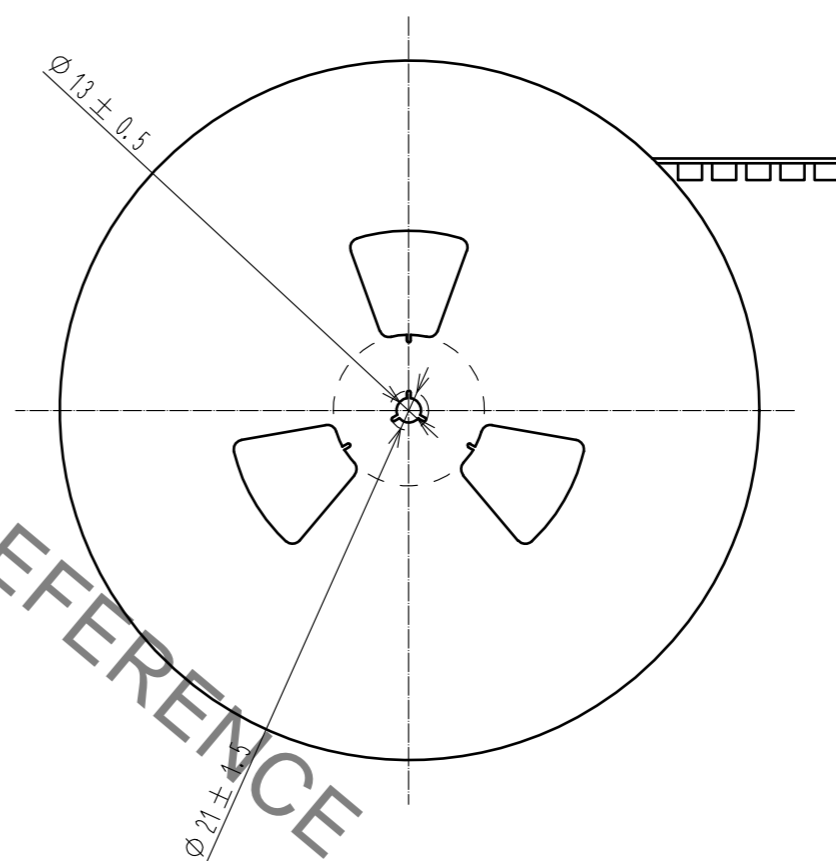
THE DIRECTION OF PULLING OUT 



A(5:1)



REELED DIMENSION (FREE)



- NOTE
- 7. 1 REEL:1000 CONNECTORS.
 - 8. MINIMUM 10 COMPARTMENTS FROM BOTH REEL ENDS REMAIN EMPTY.
 - 9. THIS PRODUCT HAS NO POLARITY TO TAPE AND REEL PACKAGING.
 - 10 REMOVE THE VACUUM PICKUP TAPE AFTER MOUNTING THE CONNECTOR.

X-ON Electronics

Largest Supplier of Electrical and Electronic Components

Click to view similar products for [Board to Board & Mezzanine Connectors](#) category:

Click to view products by [Hirose](#) manufacturer:

Other Similar products are found below :

[589158040000018](#) [MDF7C-18P-2.54DSA\(55\)](#) [FCN-230C068-11](#) [FCN-268F012-G/BD](#) [FCN-268F036-G/BD](#) [FCN-268M012-G/0D](#) [FCN-268M024-G/1D](#) [FCN-723J004/1](#) [MIS-048-01-F-D-DP-K](#) [832-10-034-10-001000](#) [FX4C-80S-1.27DSA](#) [FCN-214Q030-G/0](#) [FCN-234P048-G/0](#) [FCN-235D050-G/C](#) [210-93-314-41-105000](#) [2-22603-0](#) [MDF7-40DP-2.54DSA\(55\)](#) [AXG720047](#) [5031084030](#) [MIT-114-03-F-D-K](#) [55323-1519](#) [45970-4130](#) [YFT-20-05-H-03-SB-K](#) [503308-3040](#) [026-6203-PDB](#) [027-6203-PDB](#) [069159702701000](#) [101A10019X](#) [55650-0588-C](#) [68684-306](#) [75140-7012](#) [194261-1](#) [FCN-268F024-G0D](#) [10124054-515LF](#) [68685-603](#) [8-1616154-3](#) [MIS-019-01-F-D](#) [589159005002045](#) [541371078](#) [IL-WX-10PB-HF-B-E1000E](#) [FCN-268M024-G/3D](#) [20021832-06016C1LF](#) [KX15-20KLDL-E1000E](#) [MDF7-16DP-2.54DSA\(55\)](#) [AXE810124](#) [FCN-214J100-G/0](#) [FCN-230C068-E/S](#) [AXE812124](#) [AXE816124](#) [AXE720127](#)