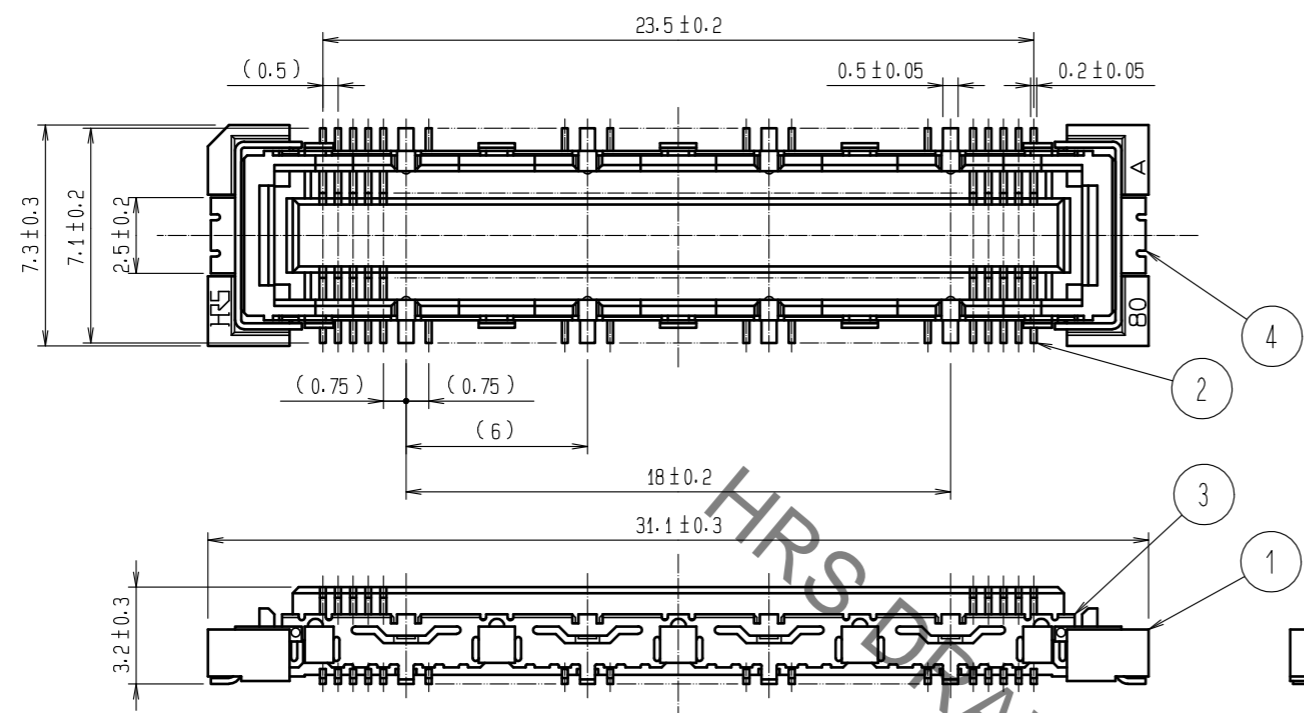
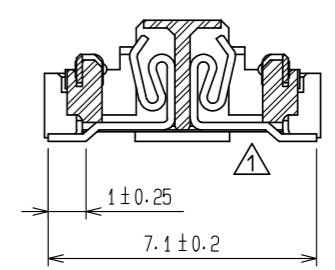


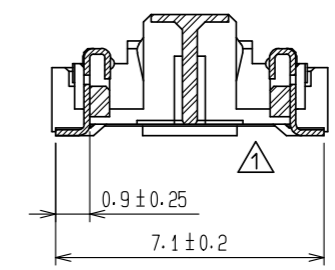
Jan.1.2022 Copyright 2022 HIROSE ELECTRIC CO., LTD. All Rights Reserved.  
 In case of consideration for using Automotive equipment / device which demand high reliability, kindly contact our sales window correspondents.



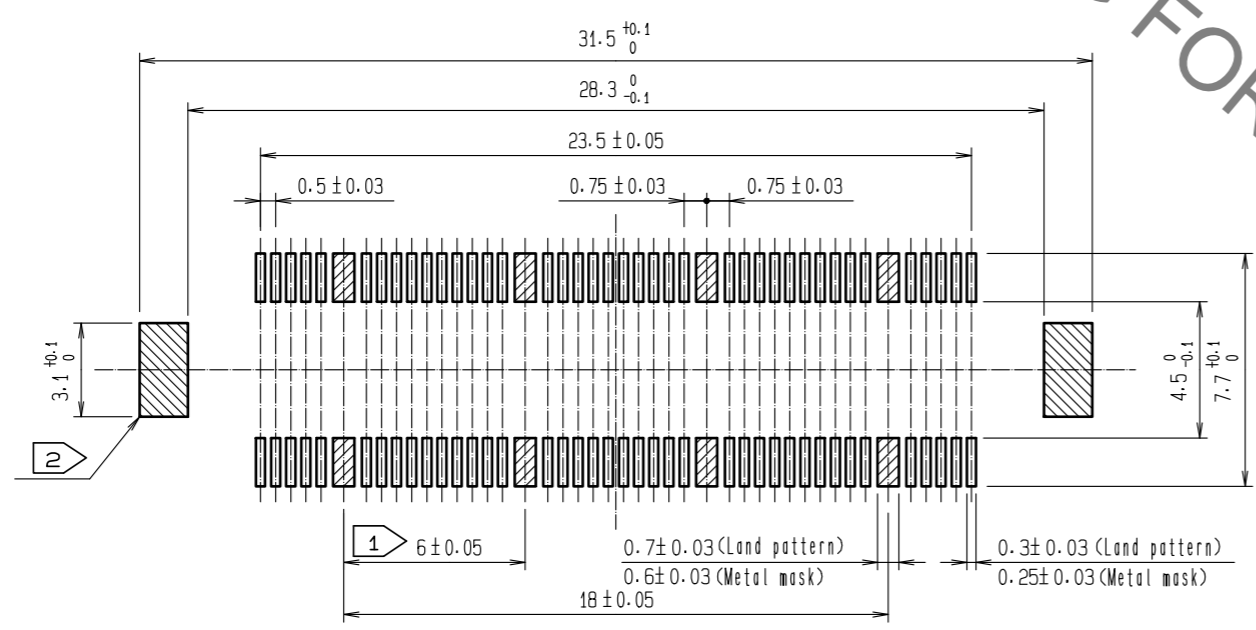
Cross cut section - signal (5:1)



Cross cut section - ground (5:1)



Recommended land pattern dimension of PCB  
 (Recommended metal mask thickness : 0.15mm)  $\triangle$

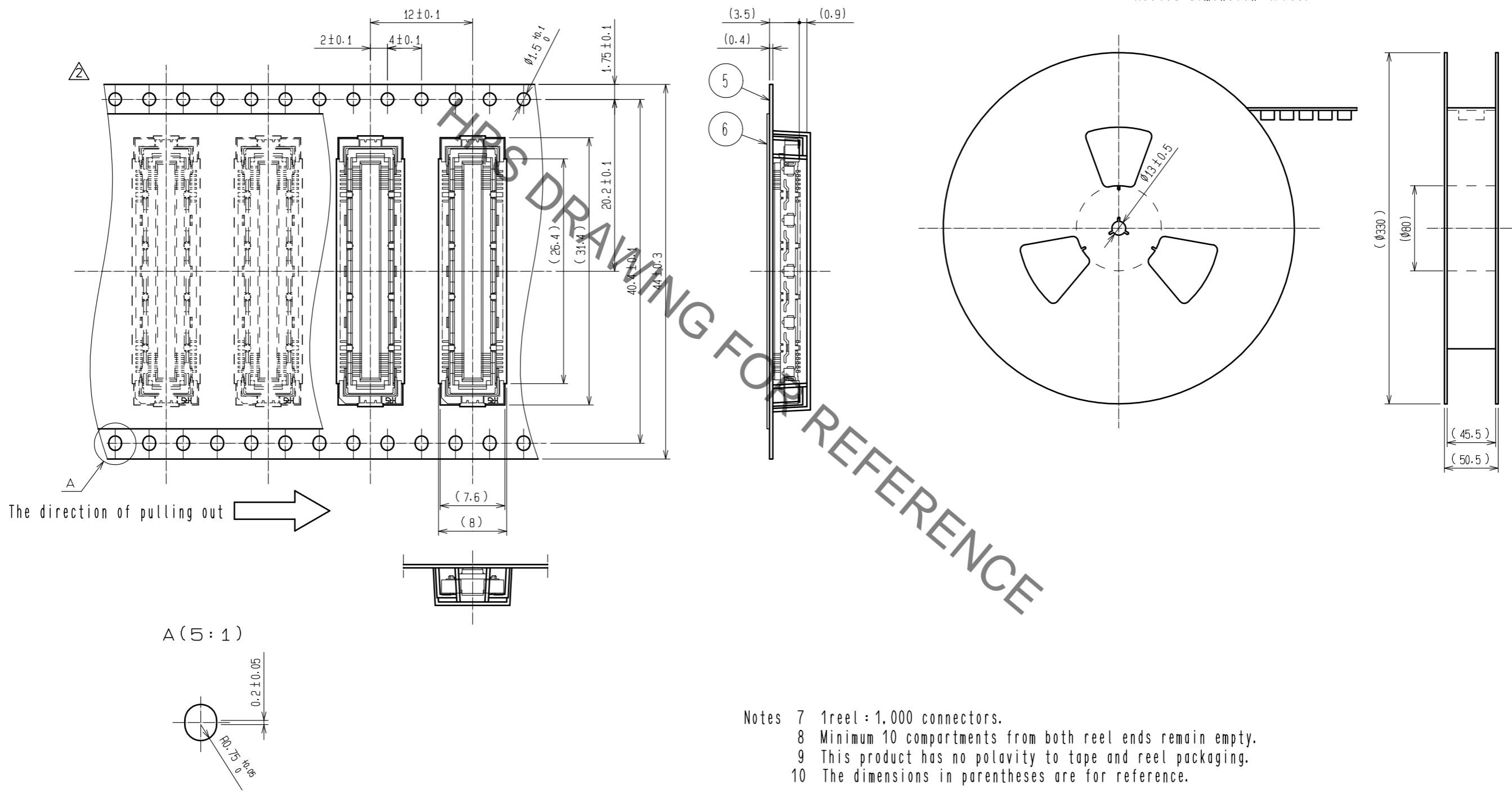


- Notes
- 1  $\triangle$  8 hatched parts : ground circuit.
  - 2  $\triangle$  2 hatched parts : ground circuit.
  - 3 SMT lead - coplanarity : 0.1 max.
  - 4 This product has no polarity to pattern for mounting.
  - 5 Emboss carrier tape package is applied on this product. Please refer to the sheet 2/2 for the details.
  - 6 The dimensions in parentheses are for reference.

2	Phosphor blonze	Contact area : Gold 0.1 $\mu$ m min	6	Polyester	(Top cover tape)		
		Lead area : Gold 0.05 $\mu$ m min	5	Polyethylene	(Emboss carrier tape)		
		Under plating : Nickel 1 $\mu$ m min	4	Phosphor blonze	Tin - plating		
1	LCP	Beige UL94V-0	3	Phosphor blonze	Tin - plating		
NO.	MATERIAL	FINISH . REMARKS	NO.	MATERIAL	FINISH . REMARKS		
UNITS mm		SCALE 4 : 1	COUNT $\triangle$ 1	DESCRIPTION OF REVISIONS DIS-F-00011032	DESIGNED MT. ITANO	CHECKED HT. YAMAGUCHI	DATE 20211007
<b>HRS</b> HIROSE ELECTRIC CO., LTD.		APPROVED : HS. OKAWA 20071015	DRAWING NO. EDC3-151980-26				
		CHECKED : HS. OZAWA 20071015	PART NO. FX10B-80S/8-SV(91)				
		DESIGNED : SY. KAMIGA 20071015	CODE NO. CL0570-0221-1-91				
		DRAWN : HK. SUNADORI 20071012					

Jan.1.2022 Copyright 2022 HIROSE ELECTRIC CO., LTD. All Rights Reserved.  
 In case of consideration for using Automotive equipment / device which demand high reliability, kindly contact our sales window correspondents.

Drawing for packing (2:1)



- Notes
- 7 1reel = 1.000 connectors.
  - 8 Minimum 10 compartments from both reel ends remain empty.
  - 9 This product has no polavity to tape and reel packaging.
  - 10 The dimensions in parentheses are for reference.

<b>HRS</b>	DRAWING NO.	EDC3-151980-26	2/2
	PART NO.	FX10B-80S/8-SV(91)	
	CODE NO.	CL0570-0221-1-91	

## X-ON Electronics

Largest Supplier of Electrical and Electronic Components

*Click to view similar products for [Board to Board & Mezzanine Connectors](#) category:*

*Click to view products by [Hirose](#) manufacturer:*

Other Similar products are found below :

[589158040000018](#) [MDF7C-18P-2.54DSA\(55\)](#) [FCN-230C068-11](#) [FCN-268F012-G/BD](#) [FCN-268F036-G/BD](#) [FCN-268M012-G/0D](#) [FCN-268M024-G/1D](#) [FCN-723J004/1](#) [MIS-048-01-F-D-DP-K](#) [832-10-034-10-001000](#) [FX4C-80S-1.27DSA](#) [FCN-214Q030-G/0](#) [FCN-234P048-G/0](#) [FCN-235D050-G/C](#) [210-93-314-41-105000](#) [2-22603-0](#) [MDF7-40DP-2.54DSA\(55\)](#) [AXG720047](#) [5031084030](#) [MIT-114-03-F-D-K](#) [55323-1519](#) [45970-4130](#) [YFT-20-05-H-03-SB-K](#) [503308-3040](#) [026-6203-PDB](#) [027-6203-PDB](#) [069159702701000](#) [101A10019X](#) [55650-0588-C](#) [68684-306](#) [75140-7012](#) [194261-1](#) [FCN-268F024-G0D](#) [10124054-515LF](#) [68685-603](#) [8-1616154-3](#) [MIS-019-01-F-D](#) [589159005002045](#) [541371078](#) [IL-WX-10PB-HF-B-E1000E](#) [FCN-268M024-G/3D](#) [20021832-06016C1LF](#) [KX15-20KLDL-E1000E](#) [MDF7-16DP-2.54DSA\(55\)](#) [AXE810124](#) [FCN-214J100-G/0](#) [FCN-230C068-E/S](#) [AXE812124](#) [AXE816124](#) [AXE720127](#)