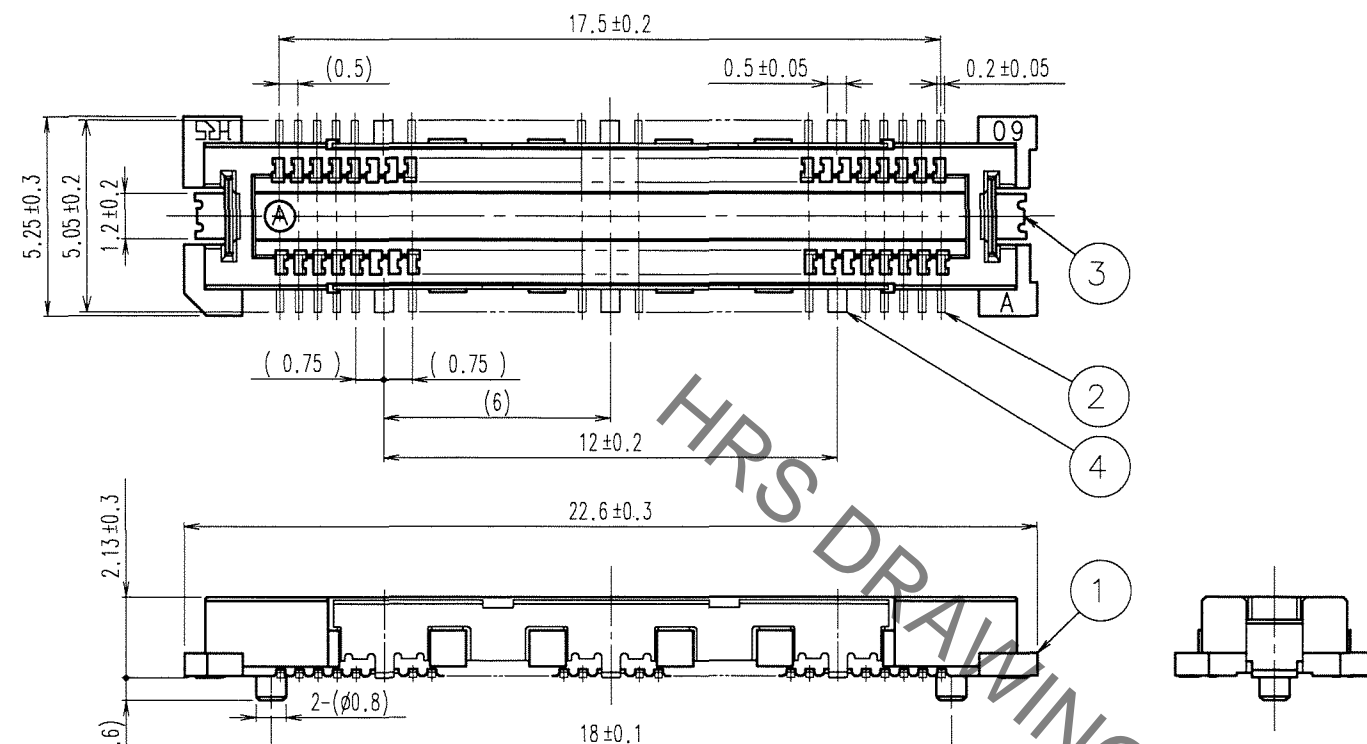
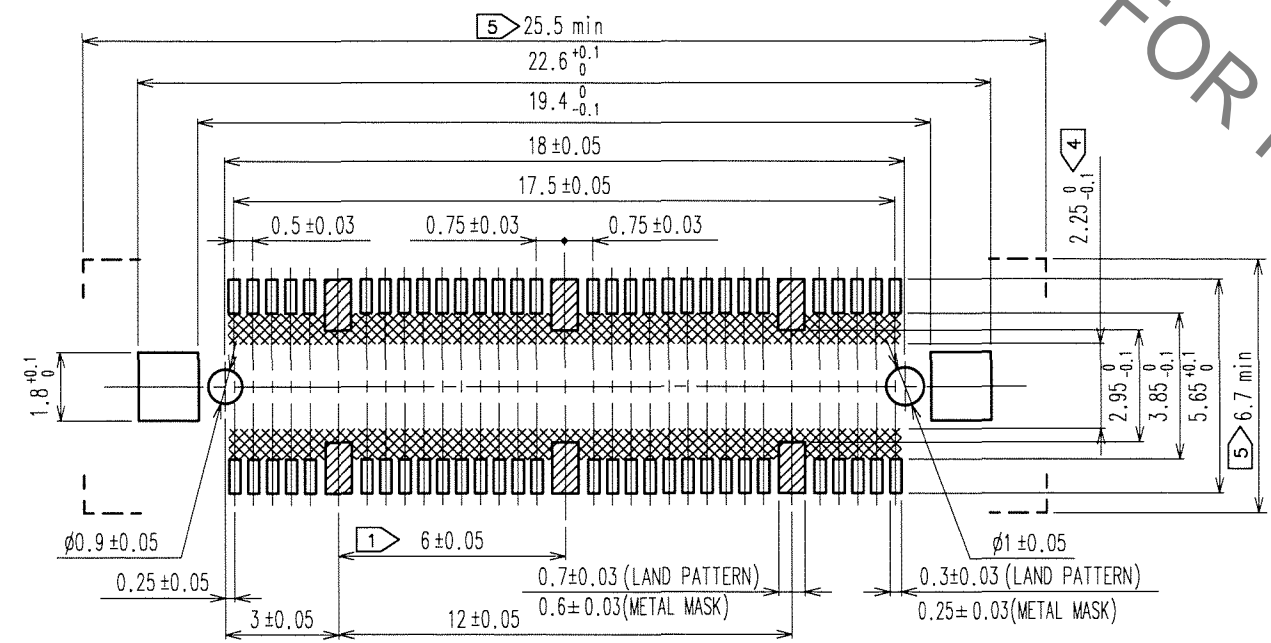


Sep.1.2021 Copyright 2021 HIROSE ELECTRIC CO., LTD. All Rights Reserved.  
In case of consideration for using Automotive equipment / device which demand high reliability, kindly contact our sales window correspondents.

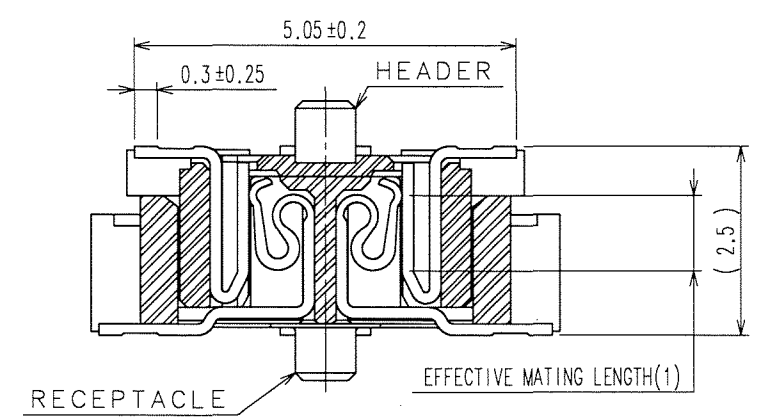
1	2	3	4	5	6	7	8



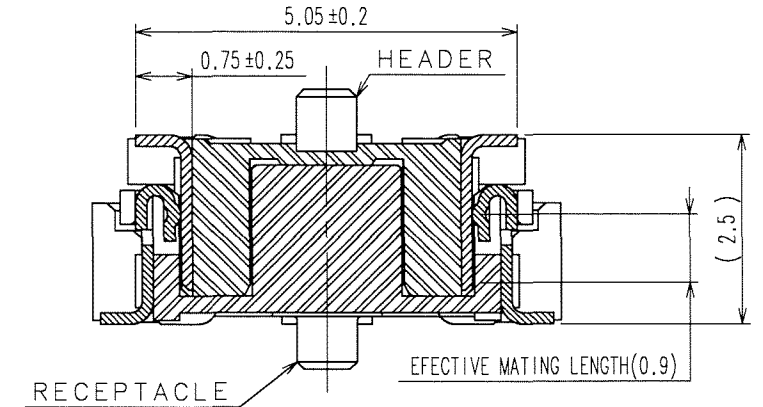
RECOMMENDED LAND PATTERN DIMENSION OF PCB



SIGNAL PORTION CROSS SECTION (10:1)



GROUND PORTION CROSS SECTION (10:1)



- NOTES
- ① 6 HATCHED PARTS: GROUND CIRCUIT.
  - ② SMT LEAD-COPLANARITY: 0.1 MAX.
  - ③ THIS PRODUCT HAS NO POLARITY TO PATTERN FOR MOUNTING.
  - ④ MAKE SURE WIDTH OF PATTERN IS WITHIN THAT OF LAND, OR LEAD MAY TOUCH PATTERN. (THIS APPLIES TO HATCHED AREA.)
  - ⑤ DO NOT MOUNT OTHER DEVICES ONTO AREA, OR MATING PAIR CANNOT BE MATED.
  - ⑥ THE DIMENSIONS IN PARENTHESES ARE FOR REFERENCE.

3, 4	PHOSPHOR BRONZE	TIN-PLATING	2	COPPER ALLOY	CONTACT AREA : GOLD 0.1μm min.
1	LCP	BEIGE UL94V-0			LEAD AREA : GOLD FLASH
					UNDER PLATING : NICKEL 1μm min.
NO.	MATERIAL	FINISH, REMARKS	NO.	MATERIAL	FINISH, REMARKS
CODE NO. (OLD) CL			DRAWN	DESIGNED	CHECKED
			A. SUZUKAWA	<i>K. Nakamura</i>	<i>M. Ogawa</i>
			'06.10.11	'06.10.11	'06.10.11
DRAWING NO. EDC3-152597-25			PART NO. FX11A-60P/6-SV(71)		
SCALE 5 : 1			CODE NO. CL573-0502-0-71		
UNITS mm			1/1		

## X-ON Electronics

Largest Supplier of Electrical and Electronic Components

*Click to view similar products for [Board to Board & Mezzanine Connectors](#) category:*

*Click to view products by [Hirose](#) manufacturer:*

Other Similar products are found below :

[589158040000018](#) [MDF7C-18P-2.54DSA\(55\)](#) [FCN-230C068-11](#) [FCN-268F012-G/BD](#) [FCN-268F036-G/BD](#) [FCN-268M012-G/0D](#) [FCN-268M024-G/1D](#) [FCN-723J004/1](#) [MIS-048-01-F-D-DP-K](#) [832-10-034-10-001000](#) [FX4C-80S-1.27DSA](#) [FCN-214Q030-G/0](#) [FCN-234P048-G/0](#) [FCN-235D050-G/C](#) [210-93-314-41-105000](#) [2-22603-0](#) [MDF7-40DP-2.54DSA\(55\)](#) [AXG720047](#) [MIT-114-03-F-D-K](#) [55323-1519](#) [DF33-2P-3.3DSA\(24\)](#) [YFT-20-05-H-03-SB-K](#) [503308-3040](#) [026-6203-PDB](#) [027-6203-PDB](#) [069159702701000](#) [10123981-102LF](#) [101A10019X](#) [55650-0588-C](#) [68682-310LF](#) [68684-306](#) [75140-7012](#) [87471-650](#) [YTW-30-07-H-Q-410-140](#) [FCN-268F024-G0D](#) [10124054-515LF](#) [68685-603](#) [8-1616154-3](#) [MIS-019-01-F-D](#) [FCN-268M024-G/3D](#) [FCN-268M036-G/BD](#) [20021832-06016C1LF](#) [KX15-20KLDL-E1000E](#) [AXE810124](#) [FCN-214J100-G/0](#) [FCN-230C068-E/S](#) [AXE812124](#) [AXE816124](#) [AXE720127](#) [354184](#)