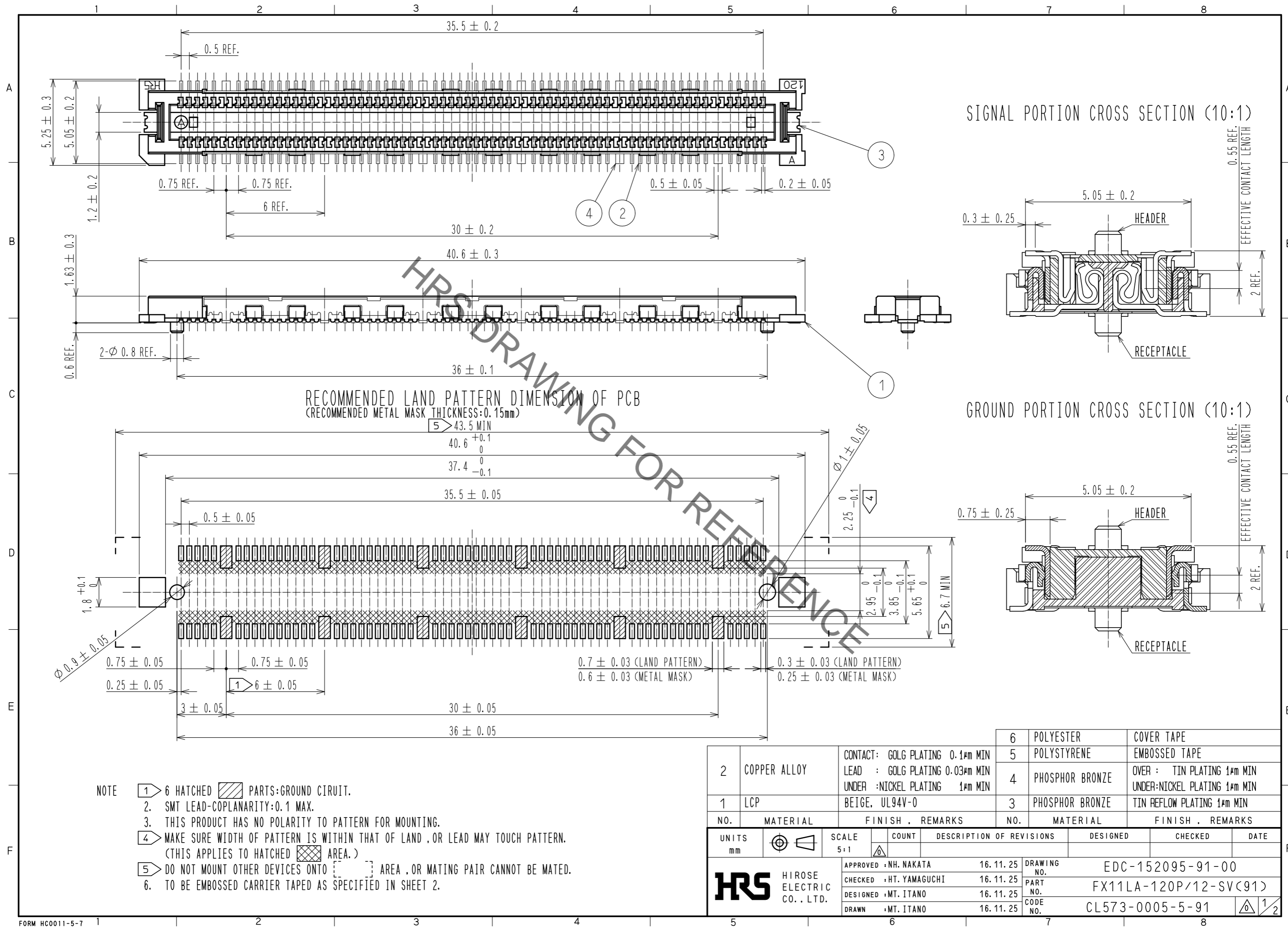


Sep.1.2021 Copyright 2021 HIROSE ELECTRIC CO., LTD. All Rights Reserved.
In case of consideration for using Automotive equipment / device which demand high reliability, kindly contact our sales window correspondents.

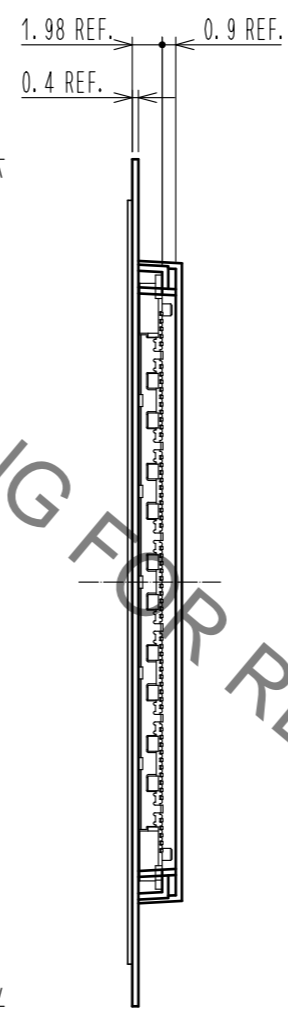
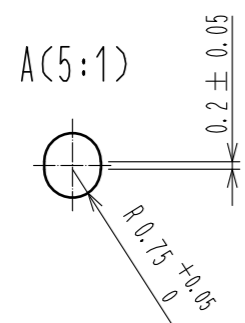
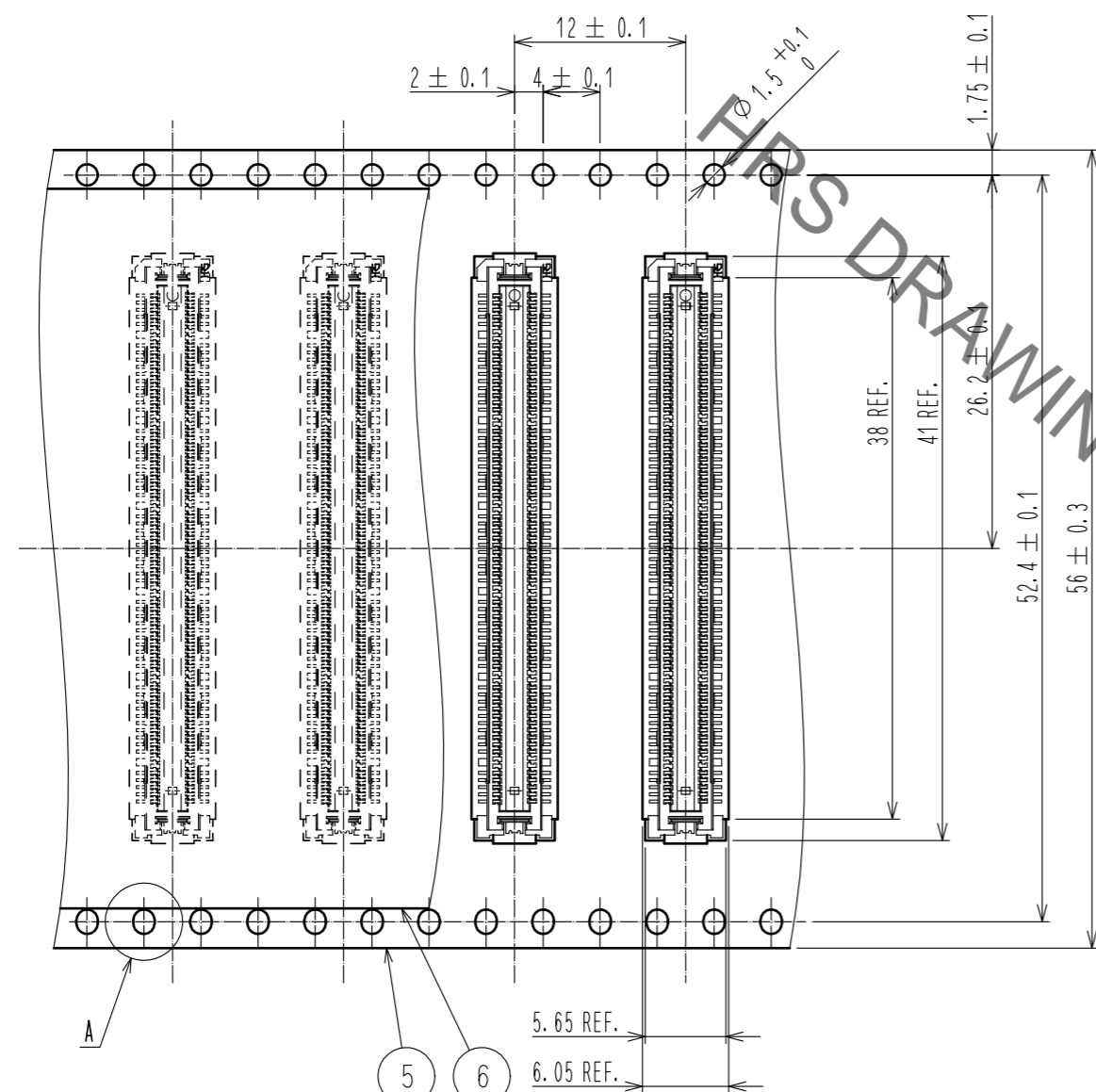


2	COPPER ALLOY	CONTACT: GOLG PLATING 0.1μm MIN LEAD : GOLG PLATING 0.03μm MIN UNDER : NICKEL PLATING 1μm MIN	6	POLYESTER	COVER TAPE			
1	LCP	BEIGE, UL94V-0	5	POLYSTYRENE	EMBOSSED TAPE			
			4	PHOSPHOR BRONZE	OVER : TIN PLATING 1μm MIN UNDER: NICKEL PLATING 1μm MIN			
			3	PHOSPHOR BRONZE	TIN REFLOW PLATING 1μm MIN			
NO.	MATERIAL	FINISH . REMARKS	NO.	MATERIAL	FINISH . REMARKS			
UNITS	mm	SCALE	5:1	COUNT	DESCRIPTION OF REVISIONS	DESIGNED	CHECKED	DATE
HRS HIROSE ELECTRIC CO., LTD.		APPROVED : NH. NAKATA	16.11.25	DRAWING NO. EDC-152095-91-00				
		CHECKED : HT. YAMAGUCHI	16.11.25	PART NO. FX11LA-120P/12-SV(91)				
		DESIGNED : MT. ITANO	16.11.25	CODE NO. CL573-0005-5-91				
		DRAWN : MT. ITANO	16.11.25					

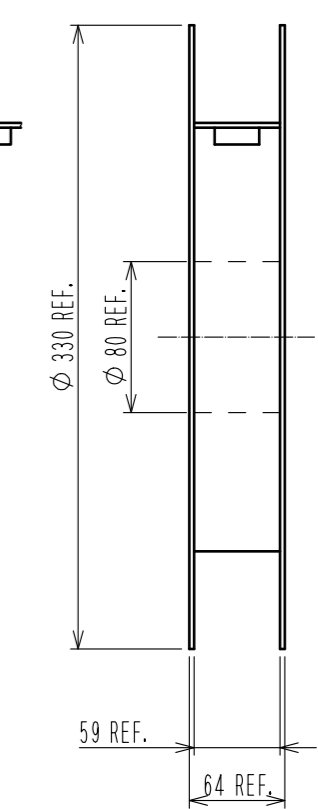
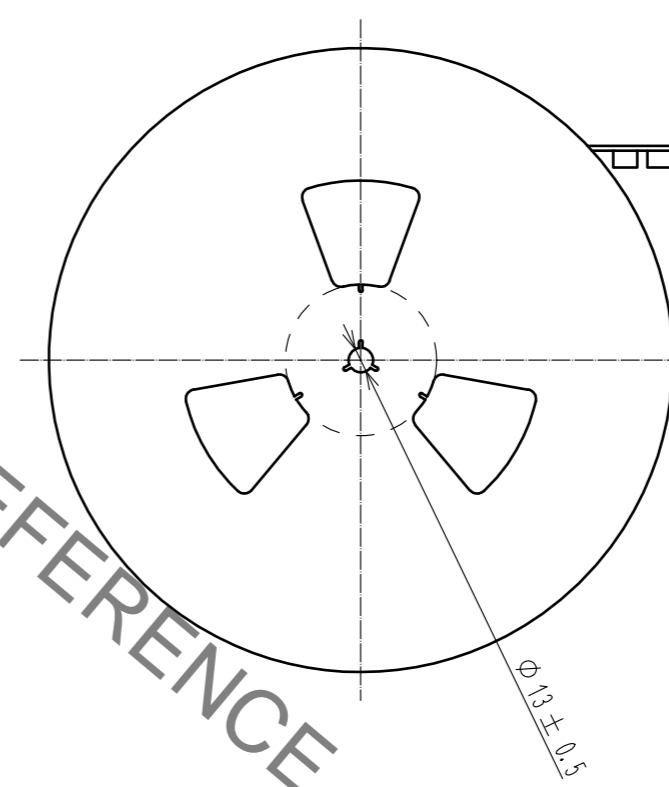
Sep.1.2021 Copyright 2021 HIROSE ELECTRIC CO., LTD. All Rights Reserved.
 In case of consideration for using Automotive equipment / device which demand high reliability, kindly contact our sales window correspondents.

DRAWING FOR PACKING(2:1)

THE DIRECTION OF PULLING OUT



REELED DIMENSION(FREE)



- NOTE
- 7. 1 REEL:1000 CONNECTORS.
 - 8. MINIMUM 10 COMPARTMENTS FROM BOTH REEL ENDS REMAIN EMPTY.
 - 9. THIS PRODUCT HAS NO POLARITY TO TAPE AND REEL PACKAGING.

HRS	DRAWING NO.	EDC-152095-91-00	
	PART NO.	FX11LA-120P/12-SV(91)	
	CODE NO.	CL573-0005-5-91	2/2

X-ON Electronics

Largest Supplier of Electrical and Electronic Components

Click to view similar products for [Board to Board & Mezzanine Connectors](#) category:

Click to view products by [Hirose](#) manufacturer:

Other Similar products are found below :

[589158040000018](#) [MDF7C-18P-2.54DSA\(55\)](#) [FCN-230C068-11](#) [FCN-268F012-G/BD](#) [FCN-268F036-G/BD](#) [FCN-268M012-G/0D](#) [FCN-268M024-G/1D](#) [FCN-723J004/1](#) [MIS-048-01-F-D-DP-K](#) [832-10-034-10-001000](#) [FX4C-80S-1.27DSA](#) [FCN-214Q030-G/0](#) [FCN-234P048-G/0](#) [FCN-235D050-G/C](#) [210-93-314-41-105000](#) [2-22603-0](#) [MDF7-40DP-2.54DSA\(55\)](#) [AXG720047](#) [MIT-114-03-F-D-K](#) [55323-1519](#) [DF33-2P-3.3DSA\(24\)](#) [YFT-20-05-H-03-SB-K](#) [503308-3040](#) [026-6203-PDB](#) [027-6203-PDB](#) [069159702701000](#) [10123981-102LF](#) [101A10019X](#) [55650-0588-C](#) [68682-310LF](#) [68684-306](#) [75140-7012](#) [87471-650](#) [YTW-30-07-H-Q-410-140](#) [FCN-268F024-G0D](#) [10124054-515LF](#) [68685-603](#) [8-1616154-3](#) [MIS-019-01-F-D](#) [FCN-268M024-G/3D](#) [FCN-268M036-G/BD](#) [20021832-06016C1LF](#) [KX15-20KLDL-E1000E](#) [AXE810124](#) [FCN-214J100-G/0](#) [FCN-230C068-E/S](#) [AXE812124](#) [AXE816124](#) [AXE720127](#) [354184](#)