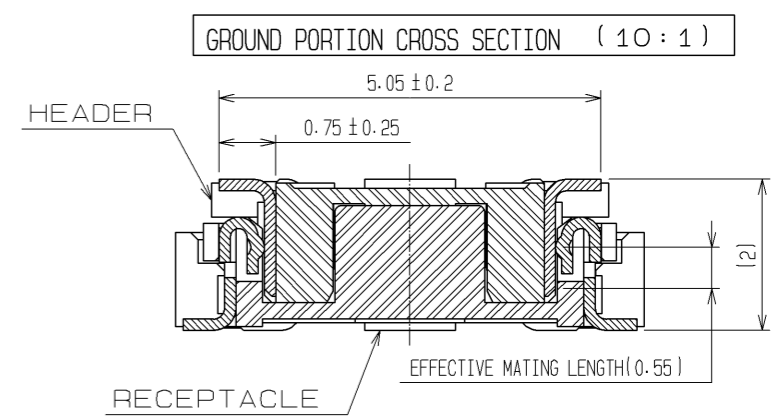
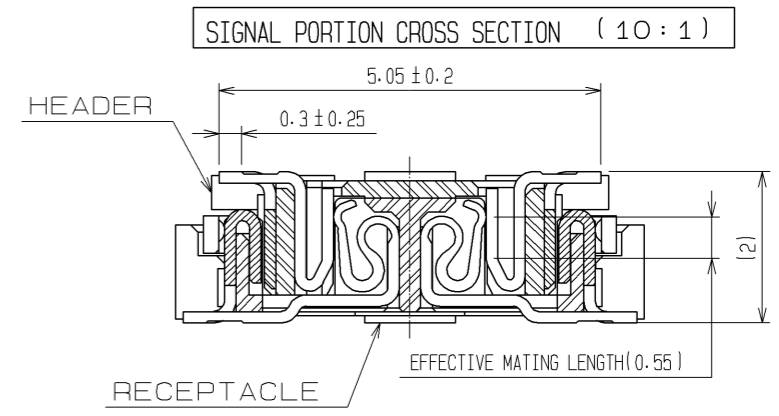
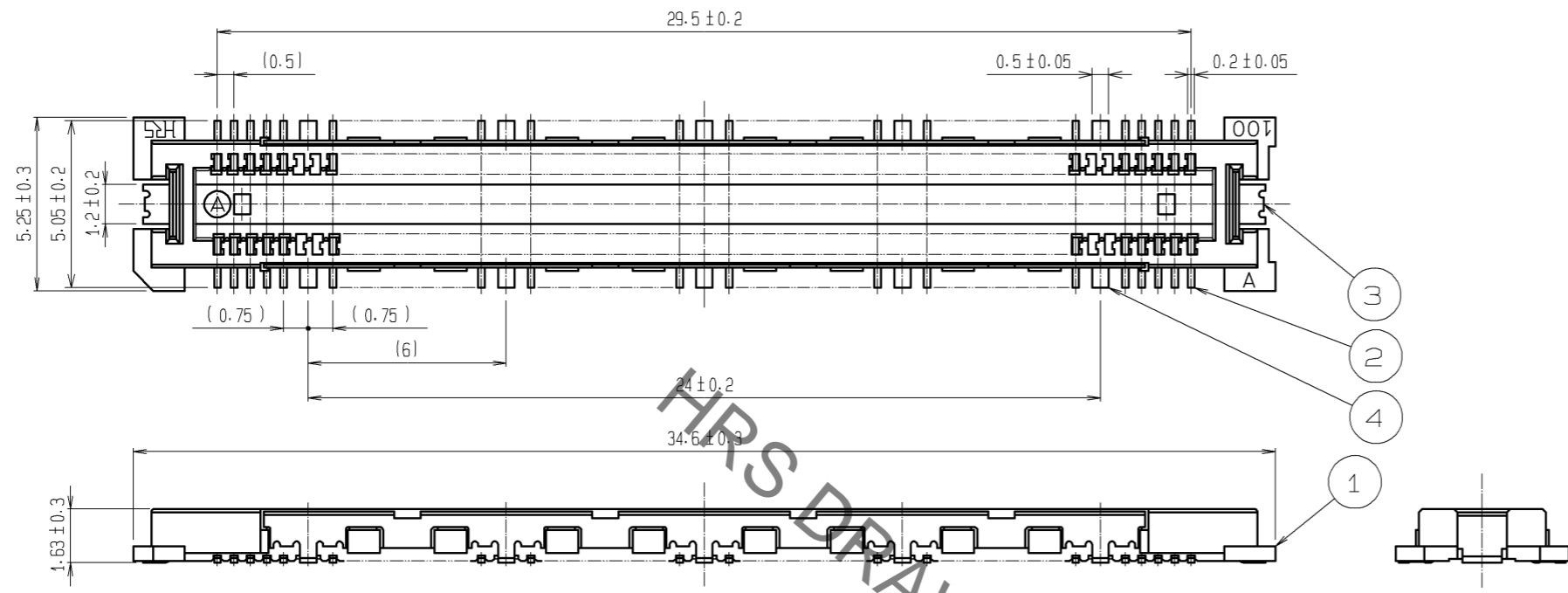
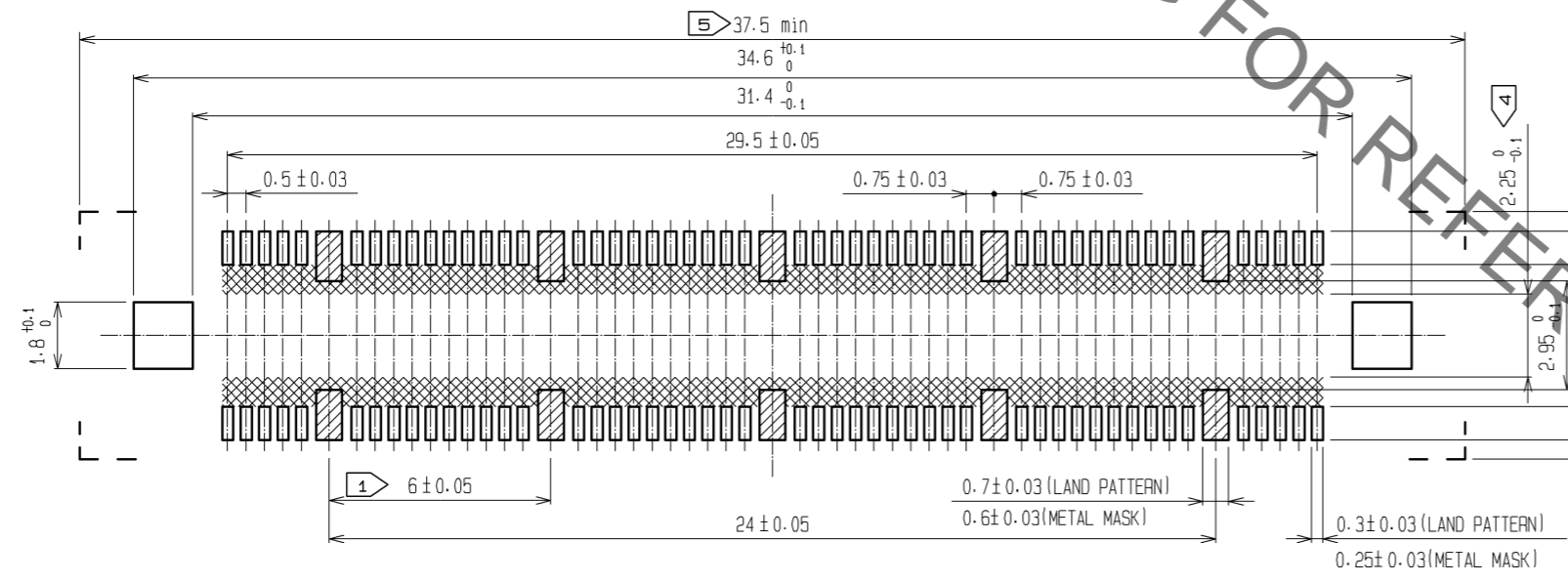


Sep.1.2021 Copyright 2021 HIROSE ELECTRIC CO., LTD. All Rights Reserved.
In case of consideration for using Automotive equipment / device which demand high reliability, kindly contact our sales window correspondents.



RECOMMENDED LAND PATTERN DIMENSION OF PCB



- NOTES
- ① 10 HATCHED PARTS: GROUND CIRCUIT.
 - ② SMT LEAD-COPLANARITY: 0.1 MAX.
 - ③ THIS PRODUCT HAS NO POLARITY TO PATTERN FOR MOUNTING.
 - ④ MAKE SURE WIDTH OF PATTERN IS WITHIN THAT OF LAND, OR LEAD MAY TOUCH PATTERN. (THIS APPLIES TO HATCHED AREA.)
 - ⑤ DO NOT MOUNT OTHER DEVICES ONTO AREA, OR MATING PAIR CANNOT BE MATED.
 - ⑥ THE DIMENSIONS IN PARENTHESES ARE FOR REFERENCE.

1	LCP	BEIGE	UL94V-0	4	PHOSPHOR BRONZE	TIN PLATING
NO.	MATERIAL	FINISH	REMARKS	NO.	MATERIAL	FINISH
				3	PHOSPHOR BRONZE	TIN PLATING
				2	COPPER ALLOY	CONTACT AREA : GOLD 0.1μm min.
			LEAD AREA : GOLD FLASH			
			UNDER PLATING : NICKEL 1μm min.			

UNITS mm		SCALE 5 : 1	COUNT 	DESCRIPTION OF REVISIONS	DESIGNED	CHECKED	DATE
HIROSE ELECTRIC CO., LTD.				APPROVED : HS. OKAWA 07.06.04	DRAWING NO. EDC3-152098-25		
				CHECED : HS. OZAWA 07.06.04	PART NO. FX11LB-100P/10-SV(71)		
				DESIGNED : SY. KAMIGA 07.06.04	CODE NO. CL573-0014-6-71		
				DRAWN : HK. SUNADORI 07.05.30	1/1		

X-ON Electronics

Largest Supplier of Electrical and Electronic Components

Click to view similar products for [Board to Board & Mezzanine Connectors](#) category:

Click to view products by [Hirose](#) manufacturer:

Other Similar products are found below :

[589158040000018](#) [MDF7C-18P-2.54DSA\(55\)](#) [FCN-230C068-11](#) [FCN-268F012-G/BD](#) [FCN-268F036-G/BD](#) [FCN-268M012-G/0D](#) [FCN-268M024-G/1D](#) [FCN-723J004/1](#) [MIS-048-01-F-D-DP-K](#) [832-10-034-10-001000](#) [FX4C-80S-1.27DSA](#) [FCN-214Q030-G/0](#) [FCN-234P048-G/0](#) [FCN-235D050-G/C](#) [210-93-314-41-105000](#) [2-22603-0](#) [MDF7-40DP-2.54DSA\(55\)](#) [AXG720047](#) [MIT-114-03-F-D-K](#) [55323-1519](#) [DF33-2P-3.3DSA\(24\)](#) [YFT-20-05-H-03-SB-K](#) [503308-3040](#) [026-6203-PDB](#) [027-6203-PDB](#) [069159702701000](#) [10123981-102LF](#) [101A10019X](#) [55650-0588-C](#) [68682-310LF](#) [68684-306](#) [75140-7012](#) [87471-650](#) [YTW-30-07-H-Q-410-140](#) [FCN-268F024-G0D](#) [10124054-515LF](#) [68685-603](#) [8-1616154-3](#) [MIS-019-01-F-D](#) [FCN-268M024-G/3D](#) [FCN-268M036-G/BD](#) [20021832-06016C1LF](#) [KX15-20KLDL-E1000E](#) [AXE810124](#) [FCN-214J100-G/0](#) [FCN-230C068-E/S](#) [AXE812124](#) [AXE816124](#) [AXE720127](#) [354184](#)