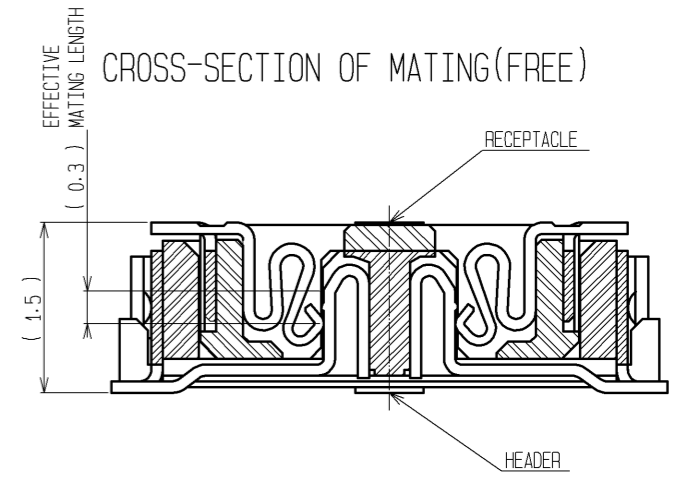
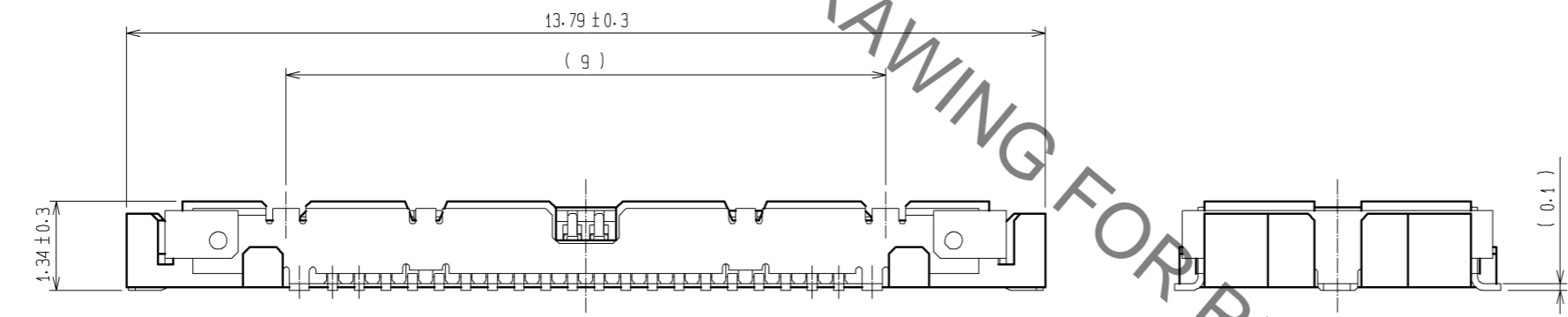
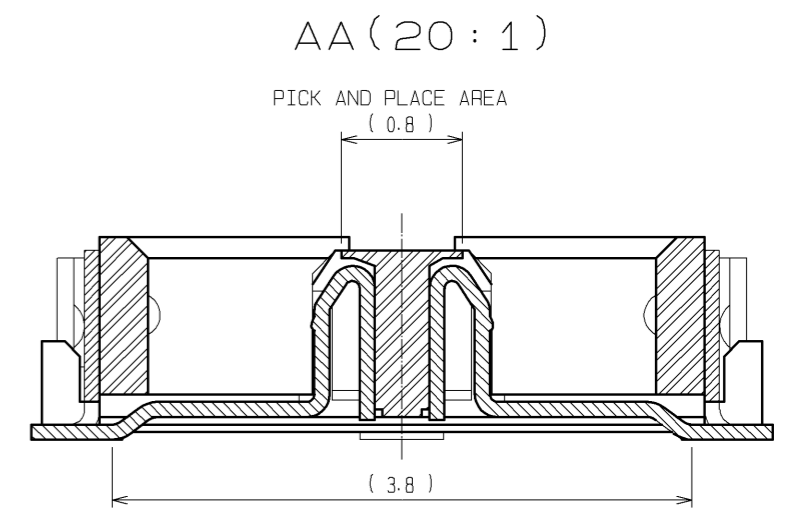
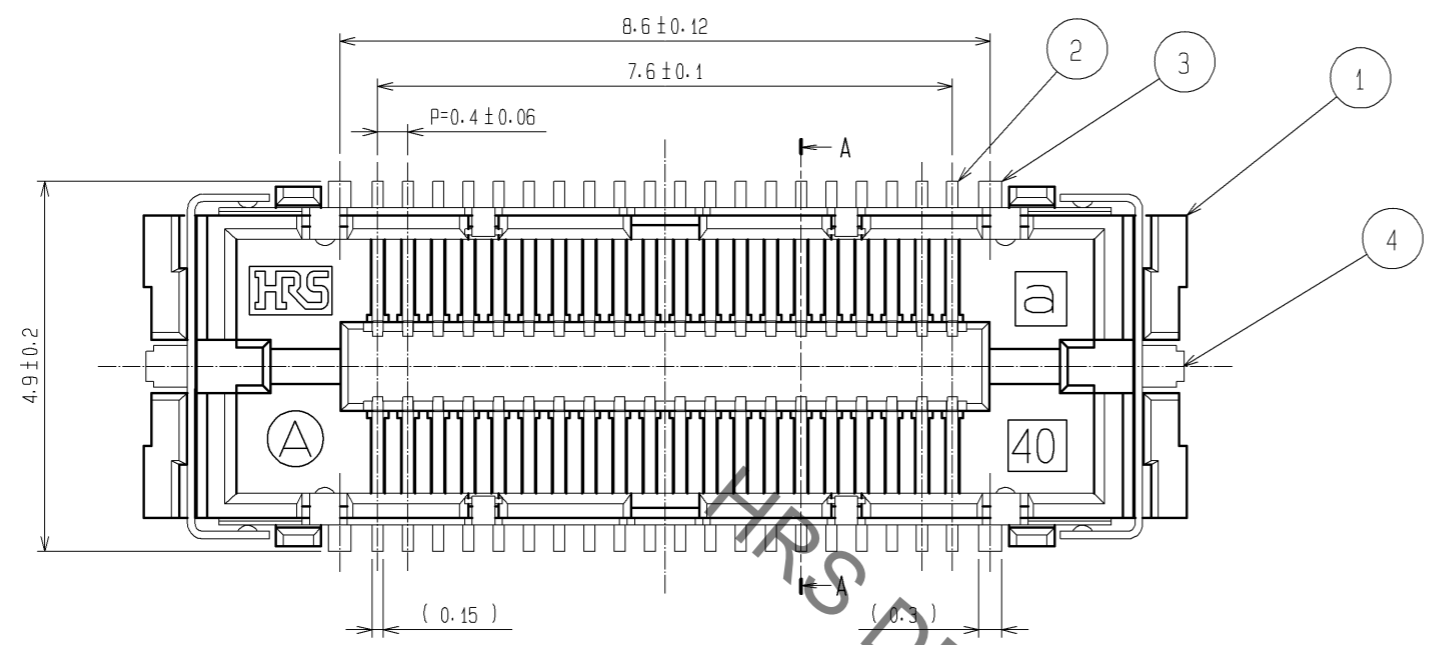
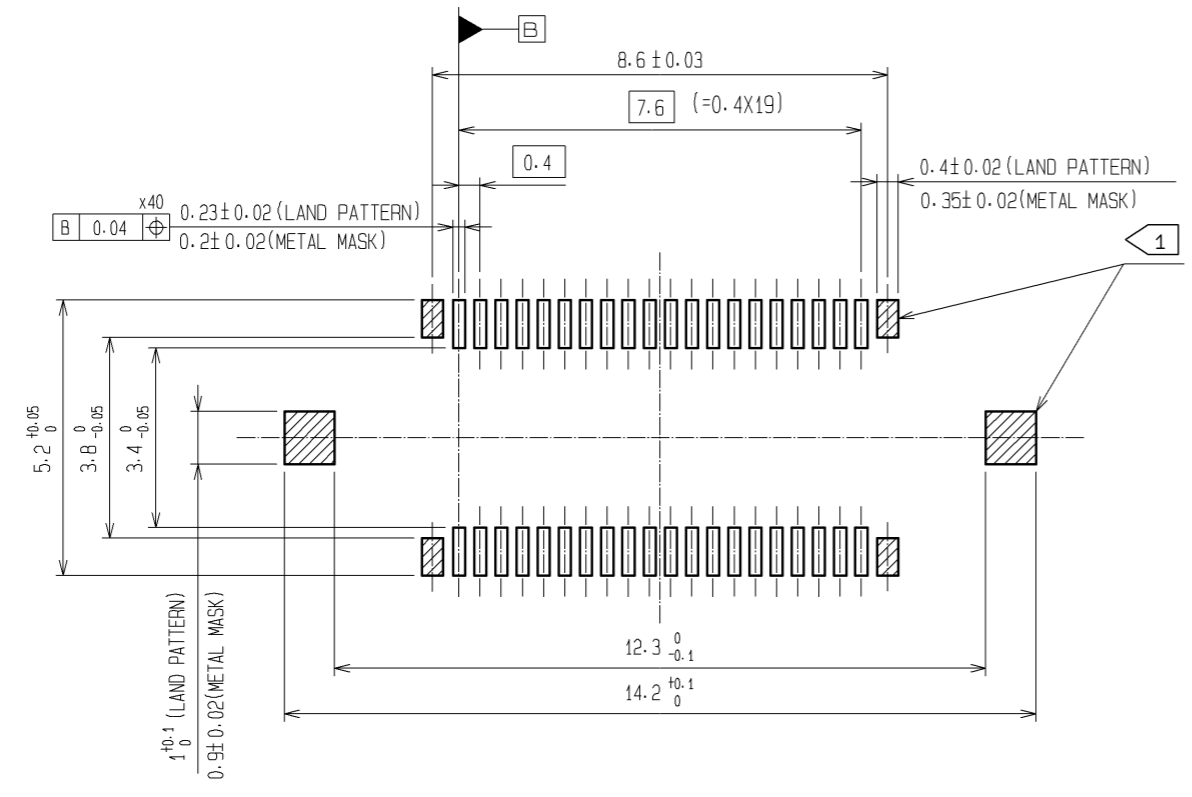


Jun.1.2019 Copyright 2019 HIROSE ELECTRIC CO., LTD. All Rights Reserved.
 In case of consideration for using Automotive equipment / device which demand high reliability, kindly contact our sales window correspondents.



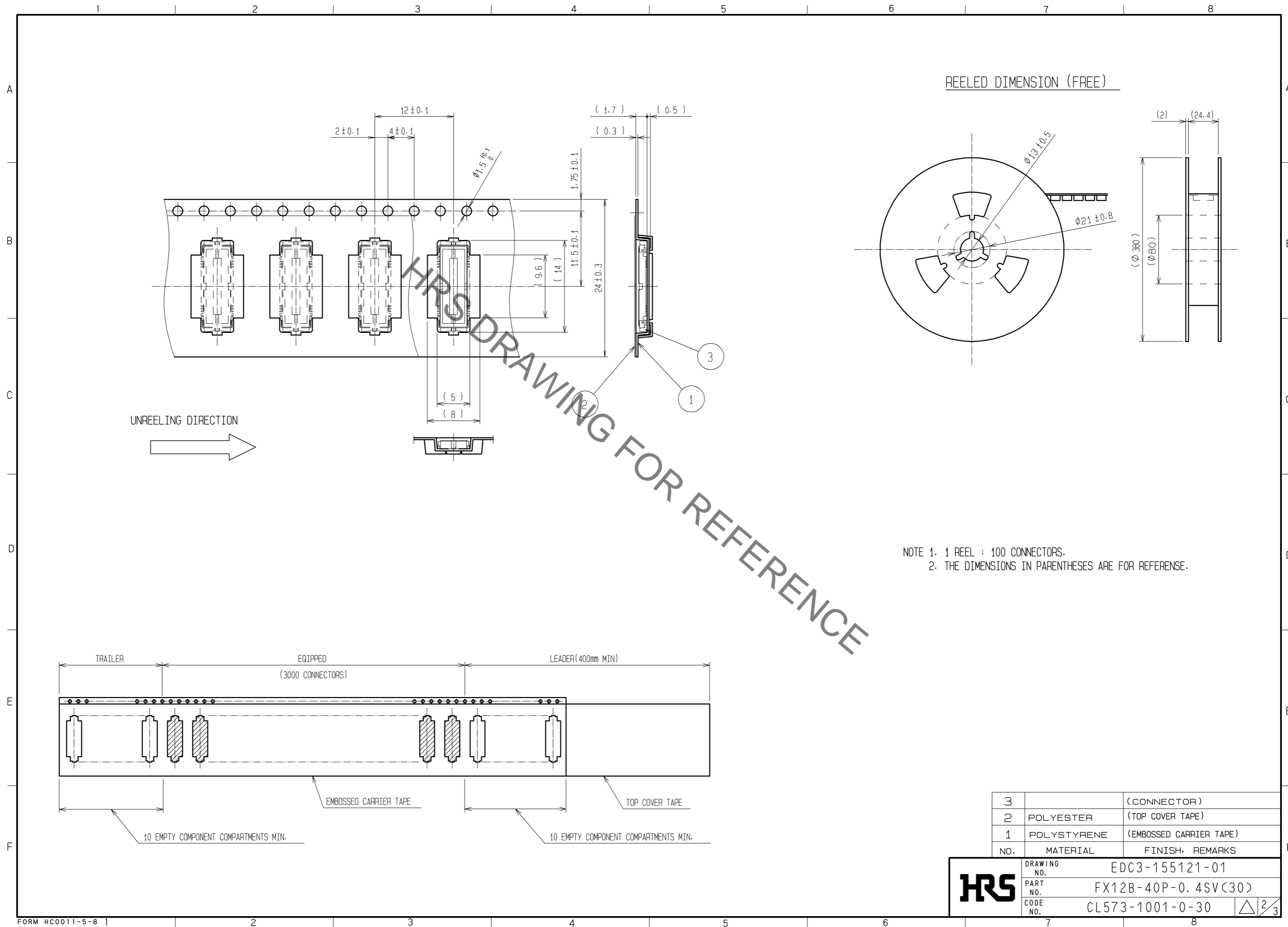
RECOMMENDED LAND PATTERN DIMENSION OF P.C.B. (FREE)
 (METAL MASK THICKNESS: t=0.12)



- NOTES
- 1 6 HATCHED PARTS: GROUND CIRCUIT.
 - 2 SMT LEAD-COPLANARITY: 0.1MAX.
 - 3 THIS PRODUCT HAS NO POLARITY TO PATTERN FOR MOUNTING.
 - 4 EMBOSSED CARRIER TAPE PACKAGING SHALL BE APPLIED FOR THIS PRODUCT. SEE NEXT PAGE FOR DETAILS.
 - 5 THE DIMENSIONS IN PARENTHESES ARE FOR REFERENCE.

| 4 | PHOSPHOR BRONZE | TIN-PLATING | 2 | PHOSPHOR BRONZE | CONTACT AREA: GOLD 0.1μm min. | | |
|-------------------------|-----------------|------------------|-----------|------------------------------|--------------------------------|---------|------|
| 3 | PHOSPHOR BRONZE | GOLD FLASH | | | LEAD AREA: GOLD FLASH | | |
| 1 | POLYAMIDE | BLACK UL94V-0 | | | UNDER PLATING: NICKEL 1μm min. | | |
| NO. | MATERIAL | FINISH . REMARKS | NO. | MATERIAL | FINISH . REMARKS | | |
| UNITS mm | | SCALE 10:1 | COUNT | DESCRIPTION OF REVISIONS | DESIGNED | CHECKED | DATE |
| APPROVED : HS. OKAWA | | | 14.04.10 | DRAWING NO. EDC3-155121-01 | | | |
| CHECKED : HT. YAMAGUCHI | | | 14.04.10 | PART NO. FX12B-40P-0.4SV(30) | | | |
| DESIGNED : TY. EDAGAWA | | | 14.04.08 | CODE NO. CL573-1001-0-30 | | | |
| DRAWN : TY. EDAGAWA | | | 14.04.08 | 1/3 | | | |

Jun.1.2019 Copyright 2019 HIROSE ELECTRIC CO., LTD. All Rights Reserved.
 In case of consideration for using Automotive equipment / device which demand high reliability, kindly contact our sales window correspondents.



| | | |
|-----|-------------|--------------------------|
| 3 | | (CONNECTOR) |
| 2 | POLYESTER | (TOP COVER TAPE) |
| 1 | POLYSTYRENE | (EMBOSSSED CARRIER TAPE) |
| NO. | MATERIAL | FINISH, REMARKS |

| | | | |
|------------|-------------|---------------------|-------|
| HRS | DRAWING NO. | EDC3-155121-01 | |
| | PART NO. | FX12B-40P-0.4SV(30) | |
| | CODE NO. | CL573-1001-0-30 | △ 2/3 |
| | | | |

Jun.1.2019 Copyright 2019 HIROSE ELECTRIC CO., LTD. All Rights Reserved.
 In case of consideration for using Automotive equipment / device which demand high reliability, kindly contact our sales window correspondents.

NOTES WHEN MATING FX12 SERIES CONNECTORS.

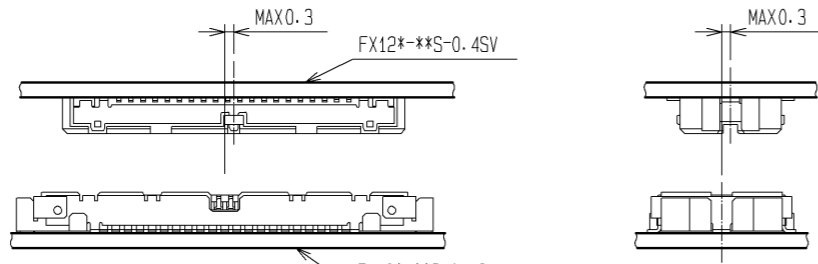


FIGURE-1

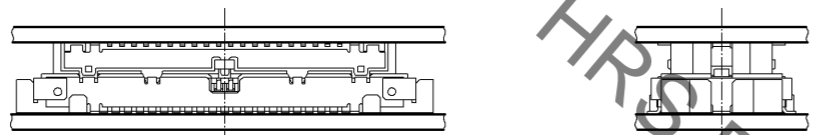


FIGURE-2

THE SELF ALIGNMENT RANGE OF THIS CONNECTOR IS 0.3 mm.
 PLACE THE CONNECTORS AT THE INITIAL MATING POSITION WHERE ITS MISALIGNMENT IS WITHIN 0.3 mm.
 THEN INSERT THE CONNECTOR ON THE CHAMFERED PARTS OF THE MATING-HALF'S OPENING. MAKE SURE TO
 KEEP THE CONNECTORS PARALLEL TO EACH OTHER.
 NOTE THAT ANGLED INSERTION OR THE PRESSURE APPLIED TO THE CONNECTORS BEFORE ALIGNMENT MAY
 RESULT IN DAMAGE TO MOLDED HOUSING OR CONTACT DEFORMATION.

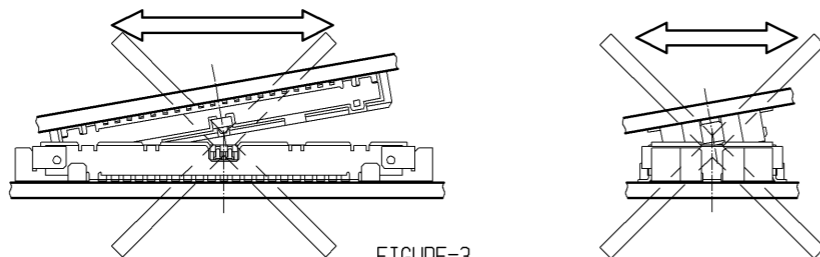


FIGURE-3

PRESS-DOWN EVENLY UNTIL SLIGHT RESISTANCE IS FELT.
 OVERCOMING THIS SLIGHT RESISTANCE WILL COMPLETE THE MATING OF RECEPTACLE WITH HEADER.
 A DEFINITE 'CLICK' SENSATION WILL CONFIRM THE FULLY MATED CONDITION.

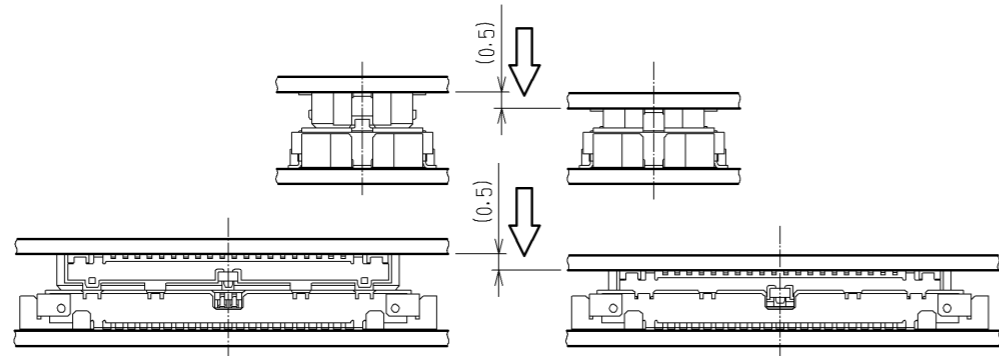


FIGURE-4

THE MATED CONDITIONS CAN BE RELEASED BY A DROP IMPACT OR THE APPLIED FORCE CAUSED BY FPC-HANDLING.
 FIX THE CONNECTORS BY APPLYING PRESSURE IN THE MATING DIRECTION WITH THE DEVICE OR A BUFFER MATERIAL.

NOTES WHEN EXTRACTING

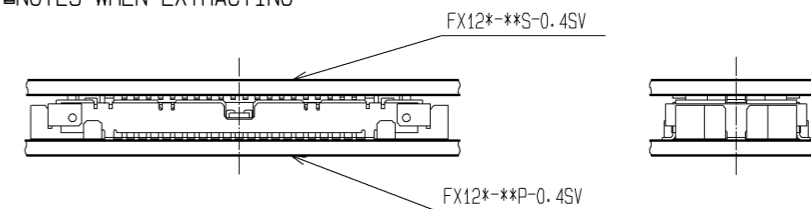


FIGURE-5

LEFT EVEN ONE SIDE, KEEPING BOTH BOARDS PARALLEL TO EACH OTHER.

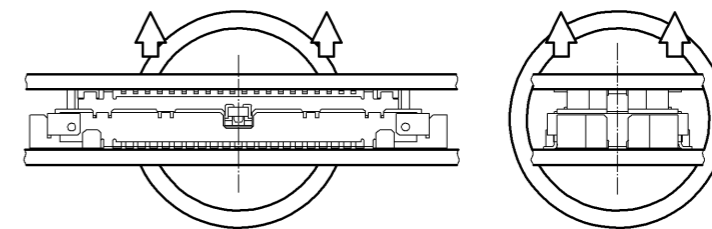


FIGURE-6

WHEN HANDLING CIRCUMSTANCES PREVENT THE CONNECTOR FROM BEING KEPT
 LEVEL DURING UN-MATING, ONE END MAY BE LIFTED SEPARATE AS SHOWN ON FIGURE-7.
 HOWEVER, TO UTILIZE THIS PROCEDURE THE CONNECTOR MUST BE MOUNTED ON
 A SUFFICIENTLY RIGID CIRCUIT BOARD.
 ANY DEFLECTION OF THE BOARD DURING THIS OPERATION MAY RESULT IN DAMAGE TO
 THE CONNECTOR OR SOLDER JOINTS.
 DO NOT ATTEMPT THE START OF THE UN-MATING OF THE CONNECTORS FROM ONE SIDE(FIGURE-8)

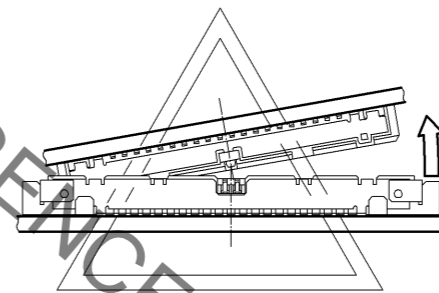


FIGURE-7

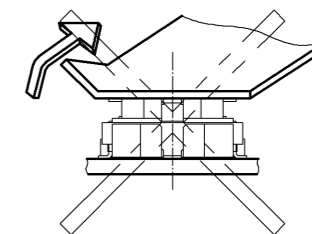


FIGURE-8

WHEN REMOVAL IS FROM THE WIDTH ORIENTATION AS ILLUSTRATED IN THE DIAGRAM TO THE LEFT,
 DAMAGE COULD BE CAUSED TO THE CONNECTOR. DO NOT PERFORM REMOVAL FROM
 THE WIDTH ORIENTATION.

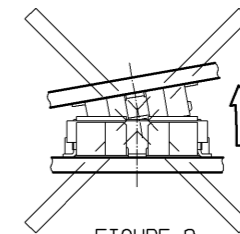


FIGURE-9

| | | |
|------------|-------------|---------------------|
| HRS | DRAWING NO. | EDC3-155121-01 |
| | PART NO. | FX12B-40P-0.4SV(30) |
| | CODE NO. | CL573-1001-0-30 |
| | | △ 3/3 |

X-ON Electronics

Largest Supplier of Electrical and Electronic Components

Click to view similar products for [Board to Board & Mezzanine Connectors](#) category:

Click to view products by [Hirose](#) manufacturer:

Other Similar products are found below :

[589158040000018](#) [MDF7C-18P-2.54DSA\(55\)](#) [FCN-230C068-11](#) [FCN-268F012-G/BD](#) [FCN-268F036-G/BD](#) [FCN-268M012-G/0D](#) [FCN-268M024-G/1D](#) [FCN-723J004/1](#) [MIS-048-01-F-D-DP-K](#) [832-10-034-10-001000](#) [FX4C-80S-1.27DSA](#) [FCN-214Q030-G/0](#) [FCN-234P048-G/0](#) [FCN-235D050-G/C](#) [210-93-314-41-105000](#) [2-22603-0](#) [MDF7-40DP-2.54DSA\(55\)](#) [AXG720047](#) [MIT-114-03-F-D-K](#) [55323-1519](#) [DF33-2P-3.3DSA\(24\)](#) [YFT-20-05-H-03-SB-K](#) [503308-3040](#) [026-6203-PDB](#) [027-6203-PDB](#) [069159702701000](#) [10123981-102LF](#) [101A10019X](#) [55650-0588-C](#) [68682-310LF](#) [68684-306](#) [75140-7012](#) [87471-650](#) [YTW-30-07-H-Q-410-140](#) [FCN-268F024-G0D](#) [10124054-515LF](#) [68685-603](#) [8-1616154-3](#) [MIS-019-01-F-D](#) [FCN-268M024-G/3D](#) [FCN-268M036-G/BD](#) [20021832-06016C1LF](#) [KX15-20KLDL-E1000E](#) [AXE810124](#) [FCN-214J100-G/0](#) [FCN-230C068-E/S](#) [AXE812124](#) [AXE816124](#) [AXE720127](#) [354184](#)