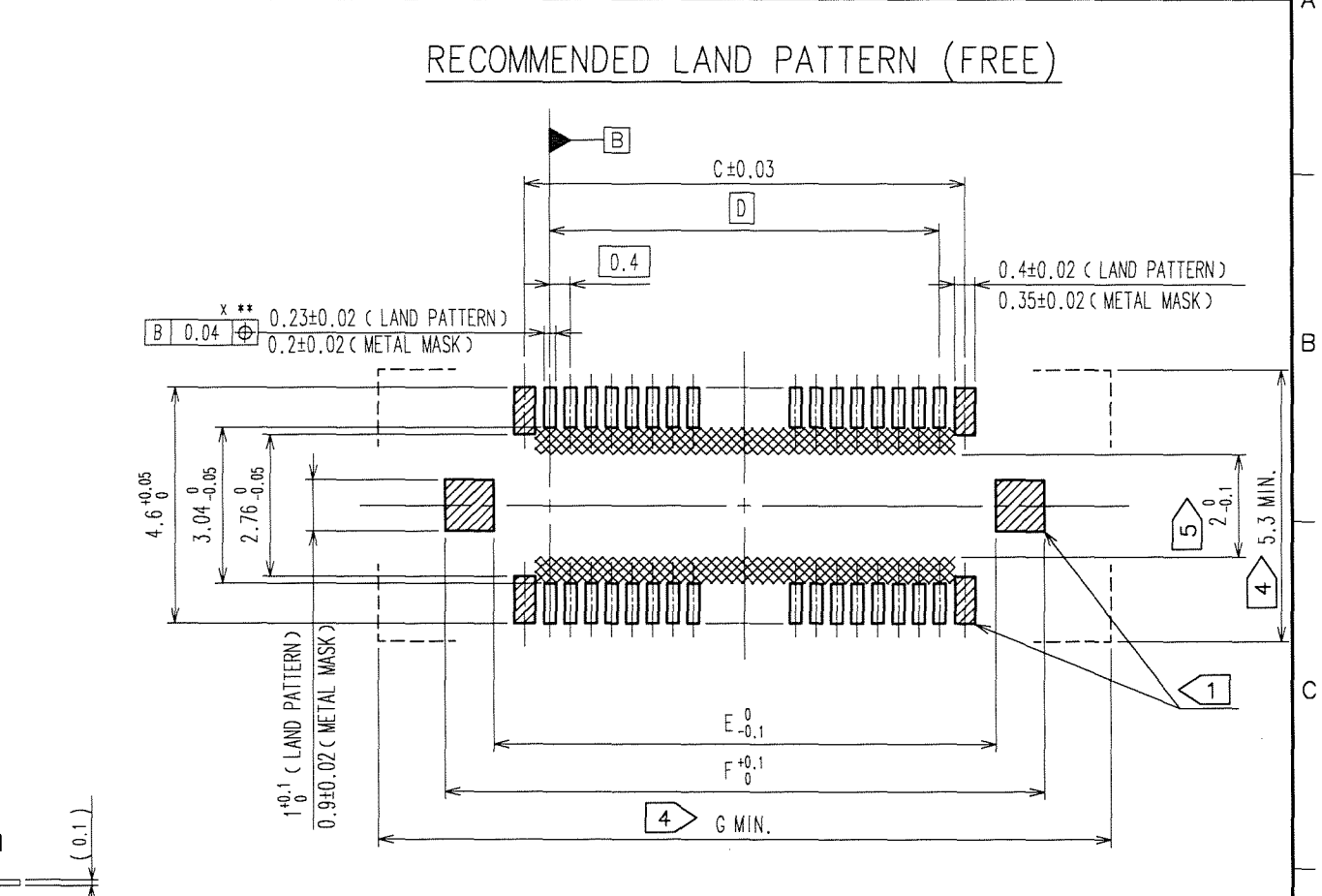
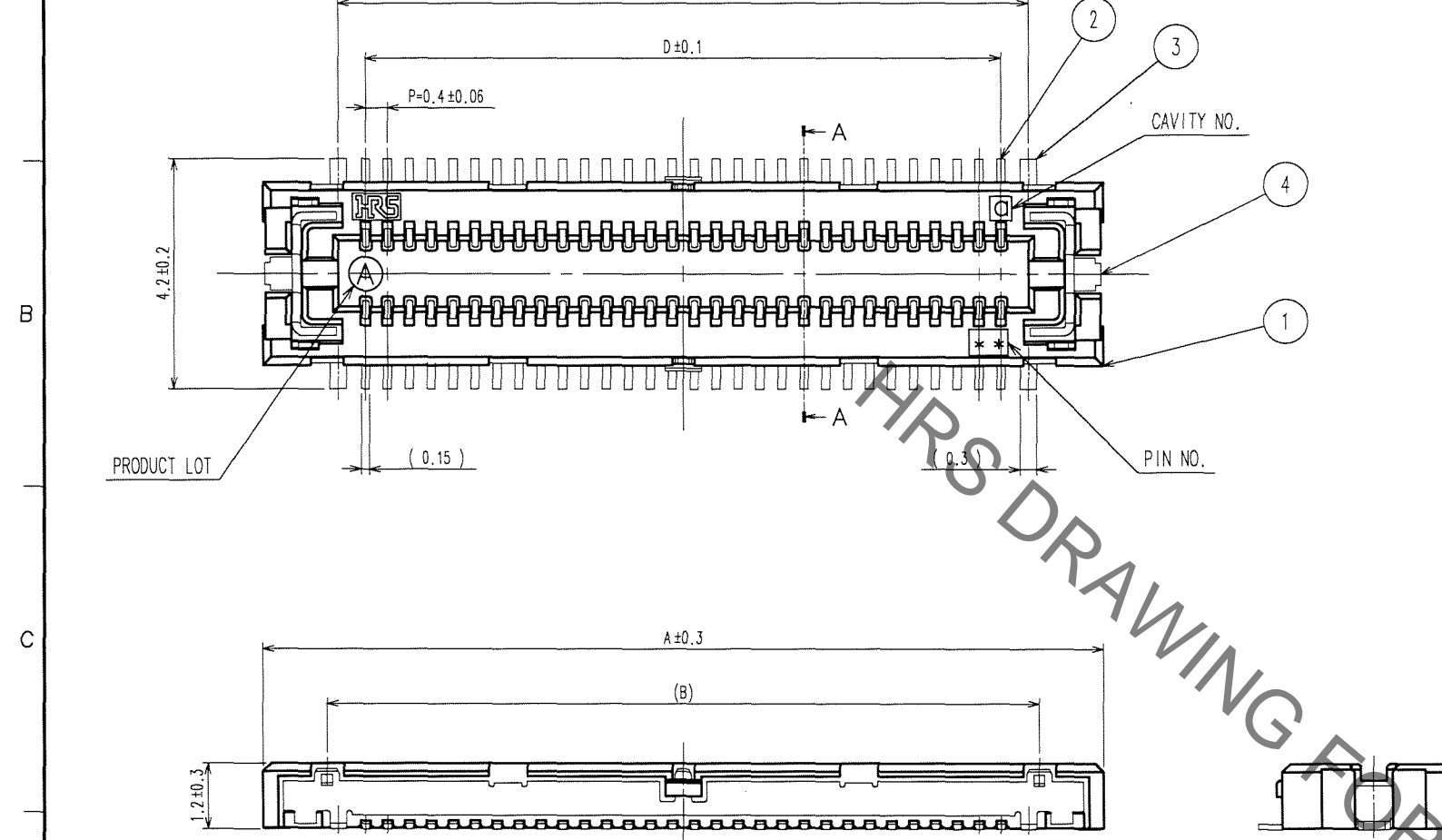
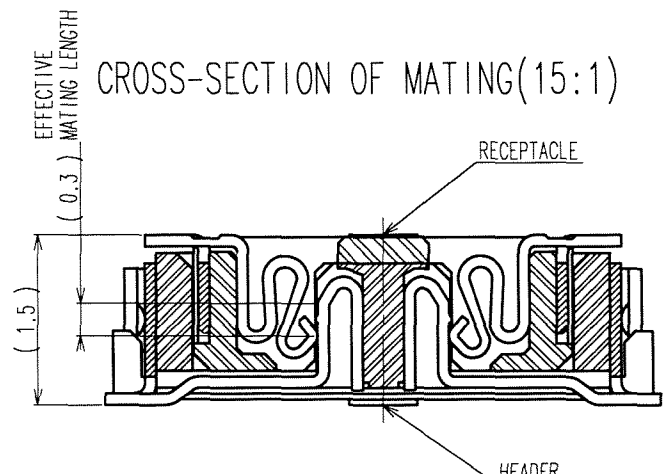
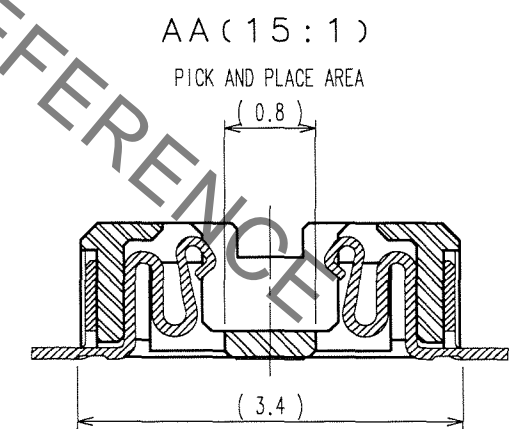


Aug.1.2021 Copyright 2021 HIROSE ELECTRIC CO., LTD. All Rights Reserved.  
In case of consideration for using Automotive equipment / device which demand high reliability, kindly contact our sales window correspondents.

COUNT	DESCRIPTION OF REVISIONS	BY	CHKD	DATE	COUNT	DESCRIPTION OF REVISIONS	BY	CHKD	DATE



- NOTES
- 1 6 HATCHED PARTS: GROUND CIRCUIT.
  - 2 SMT LEAD-COPLANARITY: 0.1 MAX.
  - 3 THIS PRODUCT HAS NO POLARITY TO PATTERN FOR MOUNTING.
  - 4 DO NOT MOUNT OTHER DEVICES ONTO AREA, OR MATING PAIR CANNOT BE MATED.
  - 5 MAKE SURE WIDTH OF PATTERN IS WITHIN THAT OF LAND, OR LEAD MAY TOUCH PATTERN. (THIS APPLIES TO HATCHED AREA)
  - 6 THE DIMENSIONS IN PARENTHESES ARE FOR REFERENCE.



PART NO.	CODE NO.	A	B	C	D	E	F	G
FX12B-24S-0.4SV	CL573-1006-3-00	8.14	5.8	5.4	4.4	6.6	8.5	11.1
FX12B-40S-0.4SV	CL573-1002-2-00	11.34	9	8.6	7.6	9.8	11.7	14.3
FX12B-50S-0.4SV	-	13.34	11	10.6	9.6	11.8	13.7	16.3
FX12B-60S-0.4SV	CL573-1008-9-00	15.34	13	12.6	11.6	13.8	15.7	18.3

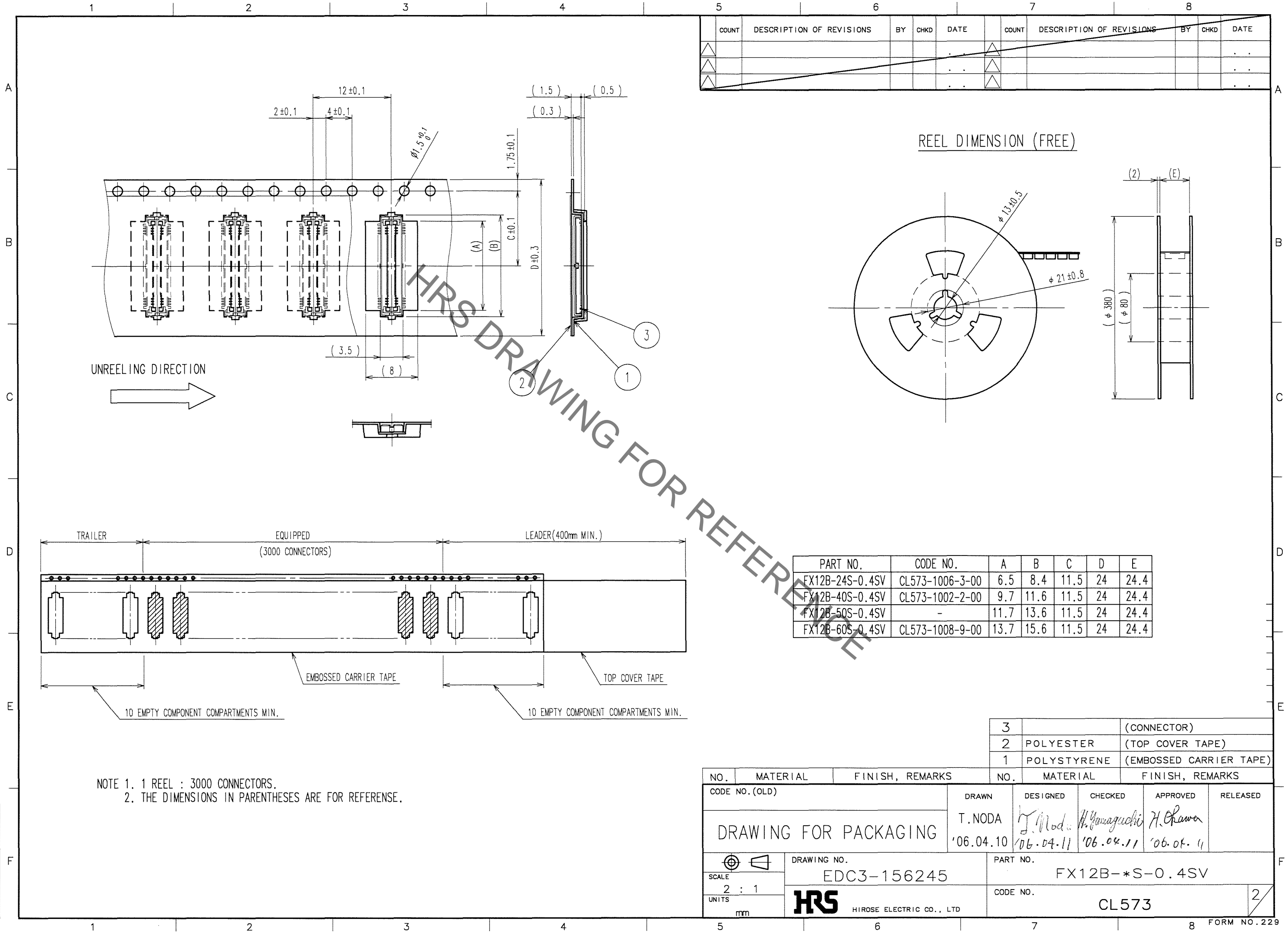
NO.	MATERIAL	FINISH, REMARKS	NO.	MATERIAL	FINISH, REMARKS
4	PHOSPHOR BRONZE	TIN-PLATING	2	PHOSPHOR BRONZE	CONTACT AREA: GOLD 0.1 μm min.
3	PHOSPHOR BRONZE	GOLD FLASH			LEAD AREA: GOLD FLASH
1	POLYAMIDE	BLACK, UL94V-0			UNDER PLATING: NICKEL 1 μm min.

CODE NO. (OLD)	DRAWN	DESIGNED	CHECKED	APPROVED	RELEASED
	T. NODA '06.04.10	<i>T. Noda</i> '06.07.11	<i>H. Yamaguchi</i> '06.07.11	<i>H. Okawa</i> '06.07.11	

SCALE FREE	DRAWING NO. EDC3-156245	PART NO. FX12B-*S-0.4SV
UNITS mm	<b>HRS</b> HIROSE ELECTRIC CO., LTD	CODE NO. CL573

TO

Aug.1.2021 Copyright 2021 HIROSE ELECTRIC CO., LTD. All Rights Reserved.  
In case of consideration for using Automotive equipment / device which demand high reliability, kindly contact our sales window correspondents.



COUNT	DESCRIPTION OF REVISIONS	BY	CHKD	DATE	COUNT	DESCRIPTION OF REVISIONS	BY	CHKD	DATE

PART NO.	CODE NO.	A	B	C	D	E
FX12B-24S-0.4SV	CL573-1006-3-00	6.5	8.4	11.5	24	24.4
FX12B-40S-0.4SV	CL573-1002-2-00	9.7	11.6	11.5	24	24.4
FX12B-50S-0.4SV	-	11.7	13.6	11.5	24	24.4
FX12B-60S-0.4SV	CL573-1008-9-00	13.7	15.6	11.5	24	24.4

3		(CONNECTOR)
2	POLYESTER	(TOP COVER TAPE)
1	POLYSTYRENE	(EMBOSSED CARRIER TAPE)

NOTE 1. 1 REEL : 3000 CONNECTORS.  
2. THE DIMENSIONS IN PARENTHESES ARE FOR REFERENCE.

NO.	MATERIAL	FINISH, REMARKS	NO.	MATERIAL	FINISH, REMARKS

CODE NO. (OLD)	DRAWN	DESIGNED	CHECKED	APPROVED	RELEASED
	T.NODA	T.Noda	H.Yamaguchi	H.Chawa	
	'06.04.10	'06.04.11	'06.04.11	'06.04.11	

SCALE	DRAWING NO.	PART NO.
2 : 1	EDC3-156245	FX12B-*S-0.4SV
UNITS	HIROSE ELECTRIC CO., LTD	CODE NO.
mm		CL573

TO

## X-ON Electronics

Largest Supplier of Electrical and Electronic Components

*Click to view similar products for [Board to Board & Mezzanine Connectors](#) category:*

*Click to view products by [Hirose](#) manufacturer:*

Other Similar products are found below :

[589158040000018](#) [MDF7C-18P-2.54DSA\(55\)](#) [FCN-230C068-11](#) [FCN-268F012-G/BD](#) [FCN-268F036-G/BD](#) [FCN-268M012-G/0D](#) [FCN-268M024-G/1D](#) [FCN-723J004/1](#) [MIS-048-01-F-D-DP-K](#) [832-10-034-10-001000](#) [FX4C-80S-1.27DSA](#) [FCN-214Q030-G/0](#) [FCN-234P048-G/0](#) [FCN-235D050-G/C](#) [210-93-314-41-105000](#) [2-22603-0](#) [MDF7-40DP-2.54DSA\(55\)](#) [AXG720047](#) [MIT-114-03-F-D-K](#) [55323-1519](#) [DF33-2P-3.3DSA\(24\)](#) [YFT-20-05-H-03-SB-K](#) [503308-3040](#) [026-6203-PDB](#) [027-6203-PDB](#) [069159702701000](#) [10123981-102LF](#) [101A10019X](#) [55650-0588-C](#) [68682-310LF](#) [68684-306](#) [75140-7012](#) [87471-650](#) [YTW-30-07-H-Q-410-140](#) [FCN-268F024-G0D](#) [10124054-515LF](#) [68685-603](#) [8-1616154-3](#) [MIS-019-01-F-D](#) [FCN-268M024-G/3D](#) [FCN-268M036-G/BD](#) [20021832-06016C1LF](#) [KX15-20KLDL-E1000E](#) [AXE810124](#) [FCN-214J100-G/0](#) [FCN-230C068-E/S](#) [AXE812124](#) [AXE816124](#) [AXE720127](#) [354184](#)