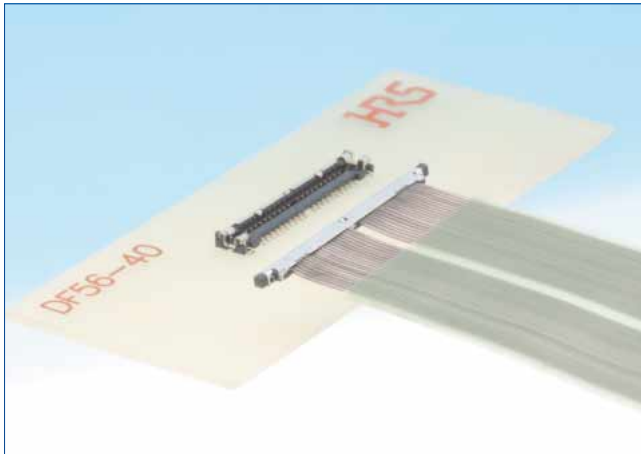


# 0.3mm Pitch, Vertical mating, Board-to-Micro Coaxial Cable Connectors

## DF56 Series



### High contact reliability

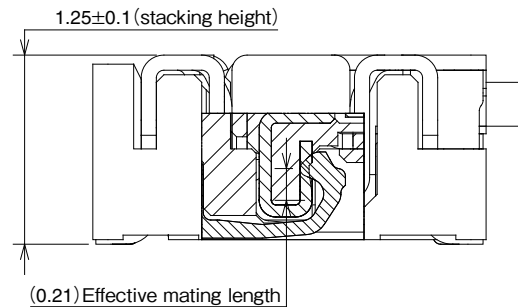


Fig.1

## ■ Features

### 1.Small mated height and board occupied space

Small pitch (0.3mm) and mated height (1.25mm) allows use in space-restricted areas. It's a small connector with mated height of 1.25mm (1.35mm MAX) and depth of 2.6mm.

### 2.Compatibility with small diameter hinges

AWG44 x 40 are compatible with hinge diameters of  $\phi 2.8$ mm, which allows wiring in small hinge in side devices.

### 3.Reliable electrical and mechanical connection

Despite its small mated height, unique contact configuration assures highly reliable connection, with effective mating length of 0.21mm.(Fig.1)

### 4.Durable plug construction

Formed metal shells on the top and side surfaces form a strong and rigid assembly.

### 5.Enhanced shielding and ground connections

Metal shells on the plug and receptacle connect to each other with a reliable multi-point ground contacts, assuring reliable ground connection and EMC protection. (Fig.2)

### 6.Reliable lock

Fully mated condition is assured with reliable locks at 4 locations, confirming it with a distinct tactile click. (Fig.3)

### 7.Solder wicking prevention

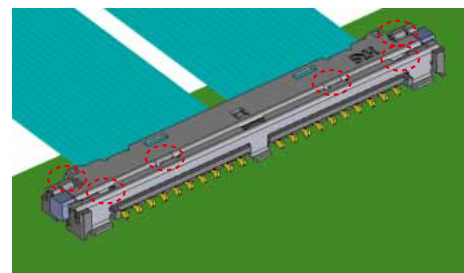
Nickel barriers prevent solder wicking in the critical contact areas.

### 8.RoHS, Halogen-free\*

\*As defined by IEC61249-2-21

Br-900 ppm maximum, Cl-900 ppm maximum,  
Cl + Br combined-1,500 ppm maximum.

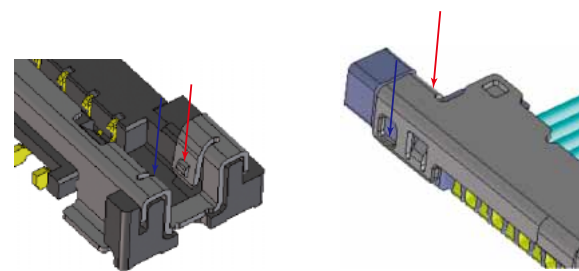
### Enhanced shielding



Multi-point ground contacts

Fig.2

### Distinct tactile click



4-point lock : 2 points at each end

Fig.3

## ■ Connectors for conductivity tests

We have a line-up of plug and receptacle connectors for inspection, usable for electrical testing.

## Specifications

Ratings	Current rating	0.2A (42 AWG) 0.15A (44 AWG) 0.1A (46 AWG)	Operating temperature range : Operating humidity range:	-35 to +85°C (Note 1) 20% to 80% RH
	Voltage rating 30Vrms AC	30V AC	Storage temperature range : Storage humidity range :	-10 to +60°C (Note 2) 40% to 70% RH

Item	Specification	Conditions
1. Insulation resistance	50MΩ min.	100V DC
2. Withstanding voltage	No flashover or insulation breakdown	100Vrms AC / 1 minute
3. Contact resistance	Signal : 80mΩ max, Ground 80mΩ max	100mA (DC or 1,000Hz)
4. Vibration	No electrical discontinuity of 1μs or longer	Frequency : 10 to 55Hz, single amplitude of 0.75mm, 10 cycles in each of the 3 axis
5. Humidity	Contact resistance (change from initial value) 50mΩ max. Insulation resistance : 25MΩ min.	96 hours at of 40 ±2°C, and humidity of 90 to 95%
6. Temperature cycle	Contact resistance (change from initial value) 50mΩ max. Insulation resistance : 25MΩ min.	-55°C → 5 to 35°C → 85°C → 5 to 35°C Time : 30 min. → 2 to 3 min. → 30 min. → 2 to 3 min. 5 cycles
7. Durability	Contact resistance (change from initial value) 50mΩ max.	20 cycles
8. Resistance to soldering heat	No deformation of affecting performance	Reflow : At the recommended temperature profile Manual soldering : 350°C for 3 seconds

Note1 : Includes temperature rise caused by current flow.

Note2 : The term "storage" refers to products stored for a long period prior to mounting and use. The operating temperature and humidity range covers the non-conducting condition of installed connectors in storage, shipment or during transportation after board mounting.

Note3 : Temperature rise of connector body only, and that of case is not included.

## Materials / Finish

Product	Part	Material	Finish	Remarks
Receptacle	Insulator	LCP	Color:Black	UL94V-0
	Contacts	Phosphor bronze	Gold plated	—
	Metal fittings	Phosphor bronze	Tin plated	—
Plug	Insulator	LCP	Color:Black	UL94V-0
	Contacts	Phosphor bronze	Gold plated	—
	Metal cover	Stainless	Tin plated	—
Shell	Metal cover	Stainless	Tin plated	—

## Product Number Structure

Refer to the chart below when determining the product specifications from the product number.  
Please select from the product numbers listed in this catalog when placing orders.

### Connector

**DF 56 J - \* S - 0.3 V (\*\*)**  
 ① ② ③ ④ ⑤ ⑥ ⑦ ⑧

**DF 56 J - \* P - SHL**  
 ① ② ③ ④ ⑤ ⑨

① Series name : DF	⑥ Contact pitch : 0.3mm
② Series No. : 56	
③ Connector style C : Stand-off type (No pattern prohibited area under connector) J : Connector for conductivity tests Blank : Standard (With pattern prohibited area under connector)	⑦ Termination type V : Straight SMT SD : Fine coaxial cable plug
④ Number of contacts C : Stand-off type 26, 30, 40 Standard : 40, 50	⑧ Packaging (51) : Embossed tape packaging
⑤ Connector type S : Receptacle P : Plug	⑨ Installation item (separate) SHL : Metal cover

## Combinations

### [Standard use]

DF56-\*S-0.3V(\*\*) + DF56-\*P-ASSY  
 [DF56-\*P-0.3SD(\*\*)]  
 [DF56-\*P-SHL]

Note : The product specification of the above combination is shown on page 2.

### [Receptacle conductivity test]

DF56-\*S-0.3V(\*\*) + DF56J-\*P-ASSY(Note)  
 [DF56-\*P-0.3SD(\*\*)]  
 [DF56J-\*P-SHL]

Note : This harness item is only usable for the receptacle test.

For the product specification of the above combination, please contact our sales department.

### [Plug for conductivity test]

DF56J-\*S-0.3V(\*\*)(Note) + DF56-\*P-ASSY  
 [DF56-\*P-0.3SD(\*\*)]  
 [DF56-\*P-SHL]  
 DF56CJ-\*S-0.3V(\*\*) + DF56-\*P-ASSY  
 [DF56-\*P-0.3SD(\*\*)]  
 [DF56-\*P-SHL]

Note : This harness item is only usable for the plugs and receptacles test.

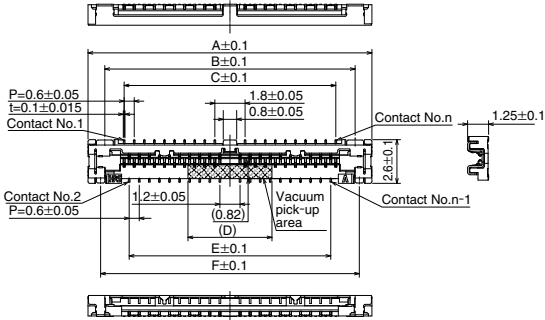
For the product specification of the above combination, please contact our sales department.

\* : ASSY means a harness item.

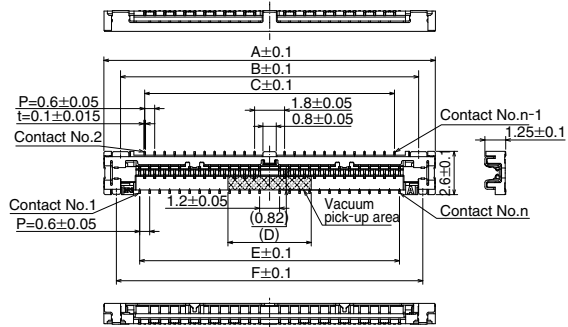
## ■ Receptacle (SMT)



### ●40 pos



### ●50 pos



Note : The position of contact No.1 is different depending on No. of positions.

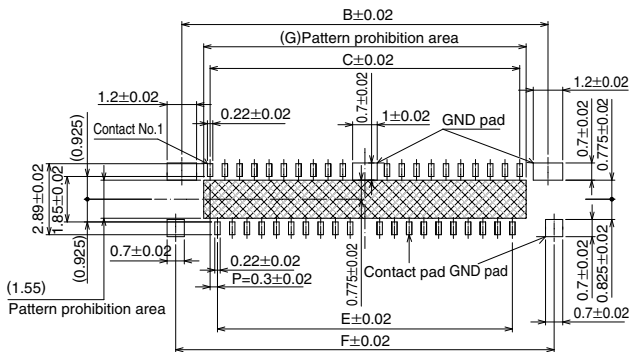
[Specifications number] - \*\*, (\*\*)  
(51) : Embossed tape packaging

Unit : mm

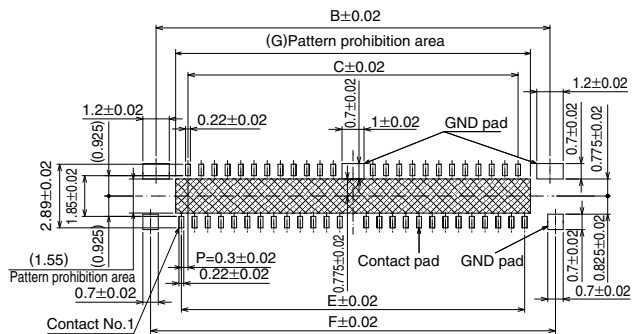
Part No.	HRS No.	No. of contacts	A	B	C	D	E	F
DF56-40S-0.3V(**)	662-5600-0 **	40	16.90	14.90	12.60	(5.00)	12.00	15.40
DF56-50S-0.3V(**)	662-5606-7 **	50	19.90	17.90	15.00		15.60	18.40

## ◆ Recommended PCB mounting pattern

### ●40 pos



### ●50 pos



Note : The position of contact No.1 is different depending on No. of positions.

[Specifications number] - \*\*, (\*\*)  
(51) : Embossed tape packaging

Unit : mm

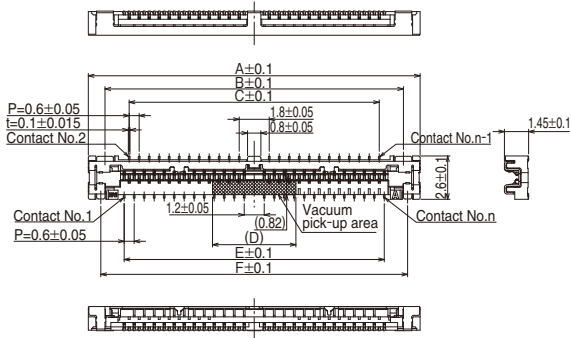
Part No.	HRS No.	No. of contacts	B	C	D	E	F	G
DF56-40S-0.3V(**)	662-5600-0 **	40	14.90	12.60	(5.00)	12.00	15.40	13.12
DF56-50S-0.3V(**)	662-5606-7 **	50	17.90	15.00		15.60	18.40	16.12

Note 1 : Tape and reel packaging (5,000 pcs/reel).  
Order by number of reels.

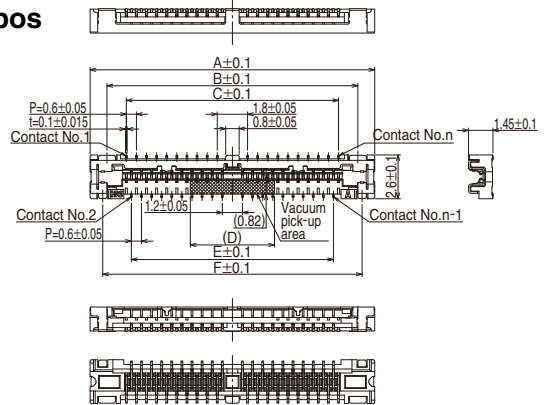
## ■ Receptacle (SMT).....Stand-off type



### ●26 pos/30 pos



### ●40 pos



Note : The position of contact No.1 is different depending on No. of positions.

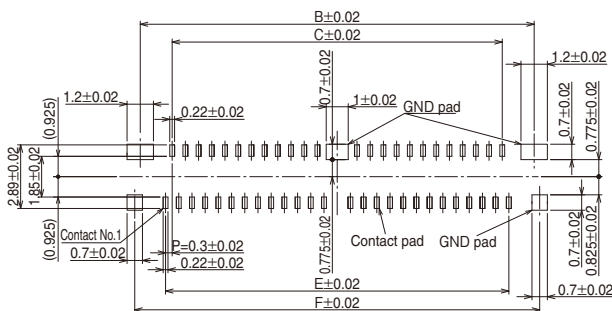
[Specifications number] - \*\*, (\*\*)  
(51) : Embossed tape packaging

Unit : mm

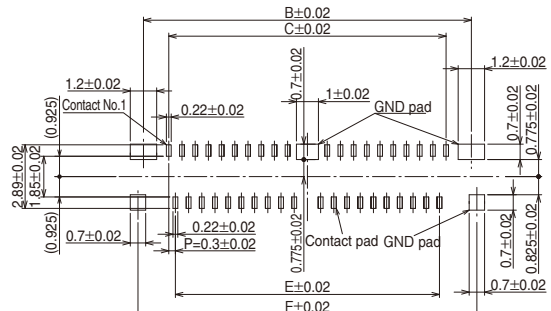
Part No.	HRS No.	No. of contacts	A	B	C	D	E	F
DF56C-26S-0.3V(**)	662-5603-9 **	26	12.70	10.70	7.80	(5.00)	8.40	11.20
DF56C-30S-0.3V(**)	662-5616-0 **	30	13.90	11.90	9.00		9.60	12.40
DF56C-40S-0.3V(**)	662-5619-9 **	40	16.90	14.90	12.60		12.00	15.40

## ◆ Recommended PCB mounting pattern.....Stand-off type

### ●26 pos/30 pos



### ●40 pos



Note : The position of contact No.1 is different depending on No. of positions.

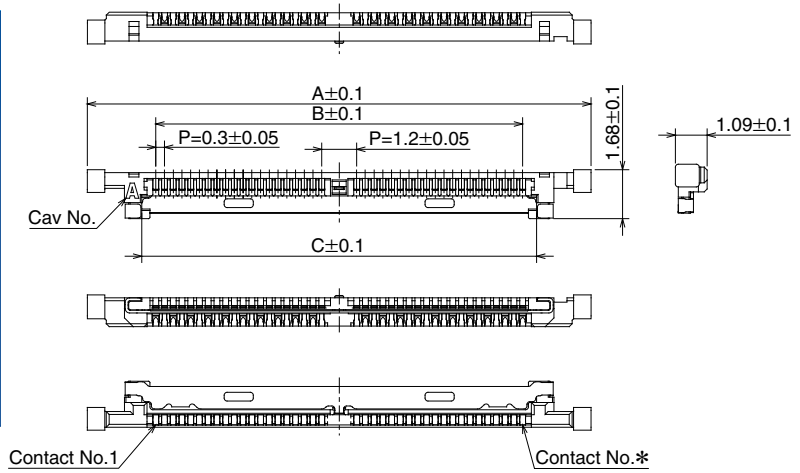
[Specifications number] - \*\*, (\*\*)  
(51) : Embossed tape packaging

Unit : mm

Part No.	HRS No.	No. of contacts	B	C	E	F
DF56C-26S-0.3V(**)	662-5603-9 **	26	10.70	7.80	8.40	11.20
DF56C-30S-0.3V(**)	662-5616-0 **	30	11.90	9.00	9.60	12.40
DF56C-40S-0.3V(**)	662-5619-9 **	40	14.90	12.60	12.00	15.40

Note 1 : Tape and reel packaging (5,000 pcs/reel).  
Order by number of reels.

**Plug**



[Specifications number] - \*\*, (\*\*)  
(51) : Embossed tape packaging

**★Standard type**

Unit : mm

Part No.	HRS No.	No. of contacts	A	B	C	D
DF56-26P-0.3SD(**)	662-5604-1 **	26	13.10	8.40	9.36	9.20
DF56-30P-0.3SD(**)	662-5617-3 **	30	14.30	9.60	10.56	10.40
DF56-40P-0.3SD(**)	662-5601-3 **	40	17.30	12.60	13.56	13.40
DF56-50P-0.3SD(**)	662-5607-0 **	50	20.30	15.60	16.56	16.40

Note 1 : Tape and reel packaging (10,000 pcs/reel). Order by number of reels.

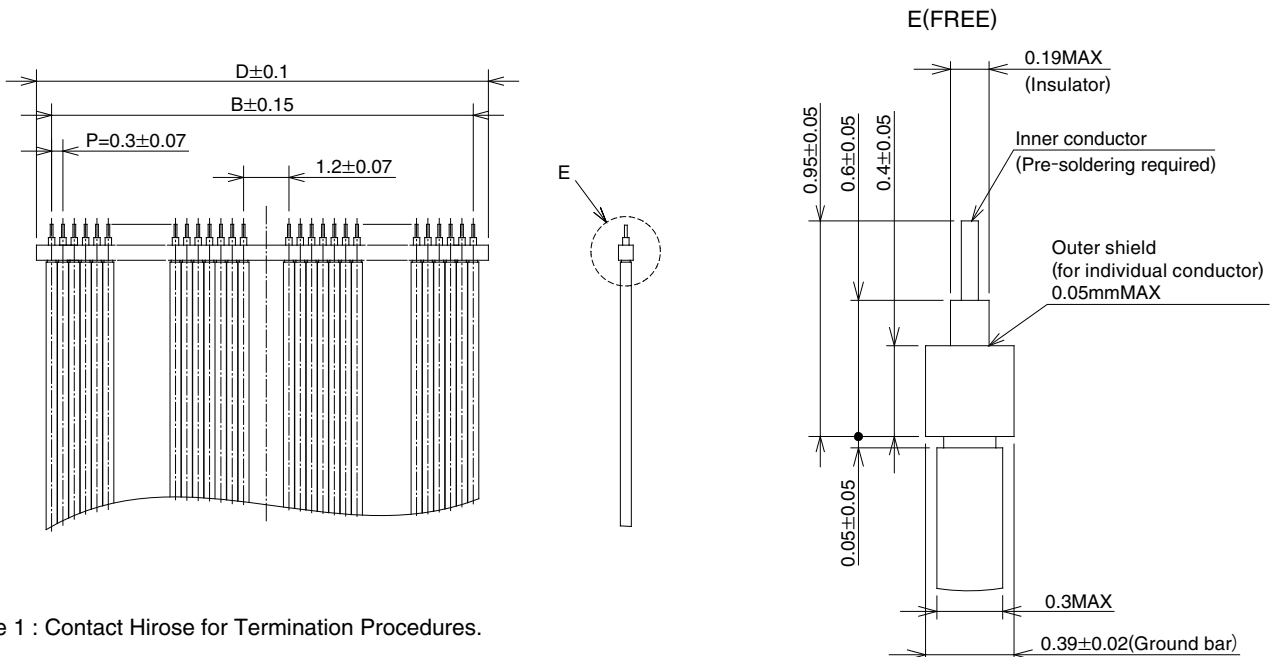
Note 2 : The metal cover (DF56-\*P-SHL) is required for micro coaxial cable termination.

**★The type of emphasis for operation (A part in a different)**

Unit : mm

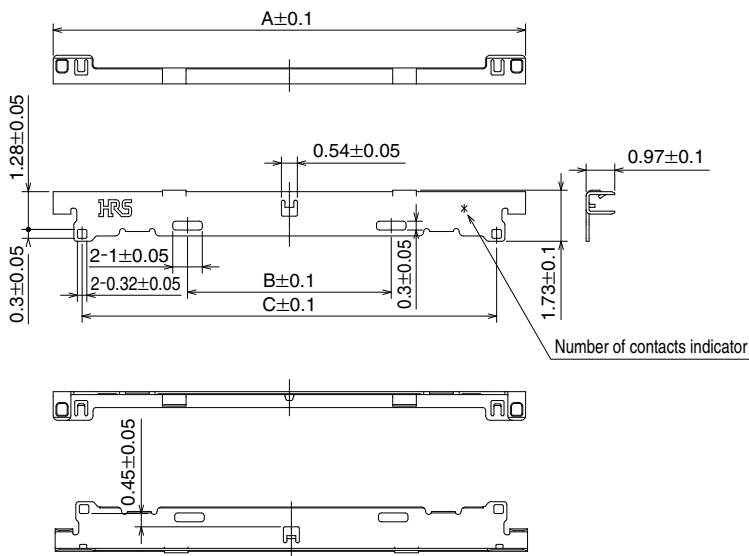
Part No.	HRS No.	No. of contacts	A	B	C	D
DF56L-26P-0.3SD(**)	662-5623-6 **	26	13.50	8.40	9.36	9.20
DF56L-30P-0.3SD(**)	662-5625-1 **	30	14.70	9.60	10.56	10.40
DF56L-50P-0.3SD(**)	662-5626-4 **	50	20.70	15.60	16.56	16.40

**◆Recommended Micro Coaxial Cable Preparation**



Note 1 : Contact Hirose for Termination Procedures.

**■ Metal cover**



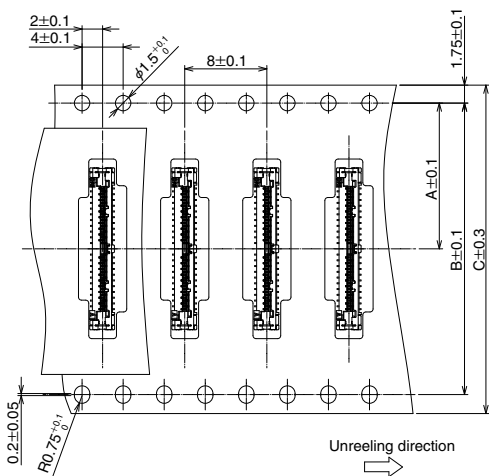
Unit : mm

Part No.	HRS No.	No. of contacts	A	B	C
DF56-26P-SHL	662-5605-4	26	11.80	3.90	9.84
DF56-30P-SHL	662-5618-6	30	13.00	3.90	11.04
DF56-40P-SHL	662-5602-6	40	16.00	6.90	14.04
DF56-50P-SHL	662-5608-2	50	19.00	7.50	17.04

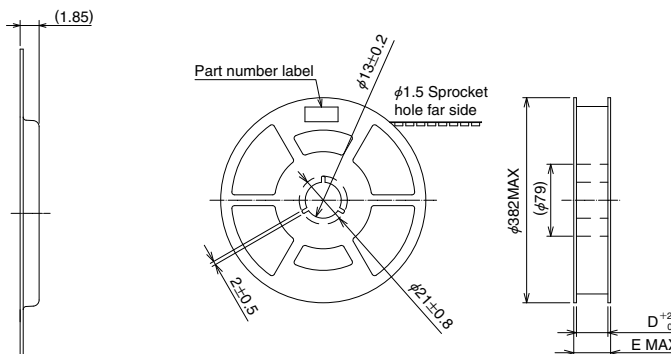
Note 1 : Tape and reel packaging (10,000 pcs/reel). Order by number of reels.

**◆ Packaging Specification**

**● Embossed Carrier Tape Dimensions—Receptacles**



**● Reel Dimensions**



Unit : mm

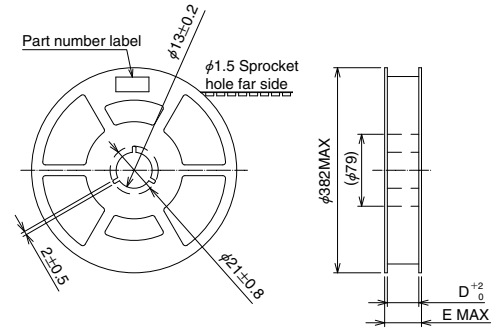
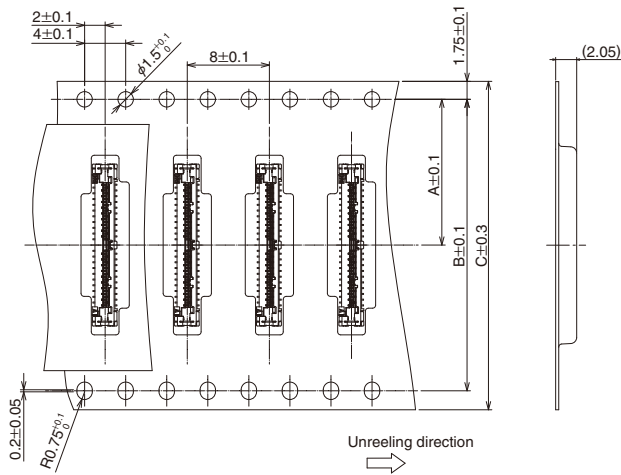
Part No.	HRS No.	No. of contacts	A	B	C	D	E
DF56-40S-0.3V(**)	662-5600-0 **	40	14.2	28.4	32.0	32.4	38.4
DF56-50S-0.3V(**)	662-5606-7 **	50					

Note : When the number of contacts is 30 or less, the feed holes are only on one side of the tape. (Top of figure φ1.5 hole only)

## ◆ Embossed tape dimensions (JIS C 0806 compliant).....Stand-off type

### ● Receptacles

### ● Reel Dimensions



Unit : mm

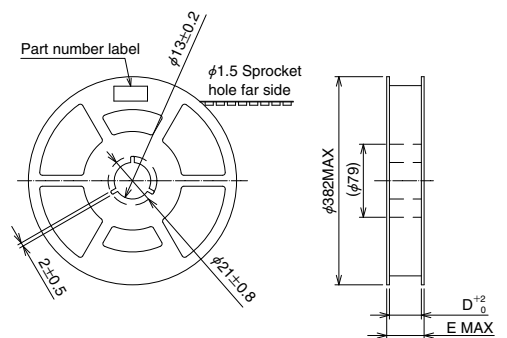
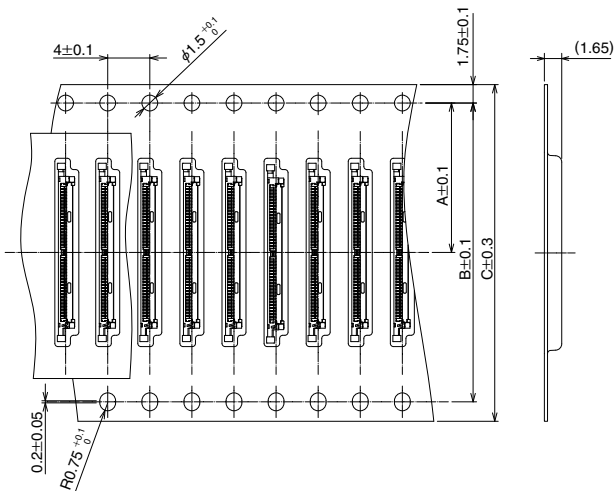
Part No.	HRS No.	No. of contacts	A	B	C	D	E
DF56C-26S-0.3V(**)	662-5603-9 **	26	11.5	—	24.0	24.4	30.4
DF56C-30S-0.3V(**)	662-5616-0 **	30					
DF56C-40S-0.3V(**)	662-5619-9 **	40	14.2	28.4	32.0	32.4	38.4

Note : When the number of contacts is 30 or less, the feed holes are only on one side of the tape. (Top of figure φ1.5 hole only)

## ◆ Packaging Specification

### ● Embossed Carrier Tape Dimensions—Plugs

### ● Reel Dimensions



Unit : mm

Part No.	HRS No.	No. of contacts	A	B	C	D	E
DF56-26P-0.3SD(**)	662-5604-1 **	26	14.2	28.4	32.0	32.4	38.4
DF56-30P-0.3SD(**)	662-5617-3 **	30					
DF56-40P-0.3SD(**)	662-5601-3 **	40					
DF56-50P-0.3SD(**)	662-5607-0 **	50					



## ◆ Extraction tool

For details about the extraction tool, please contact your Hirose sales representative.

## ◆ Usage Recommendations

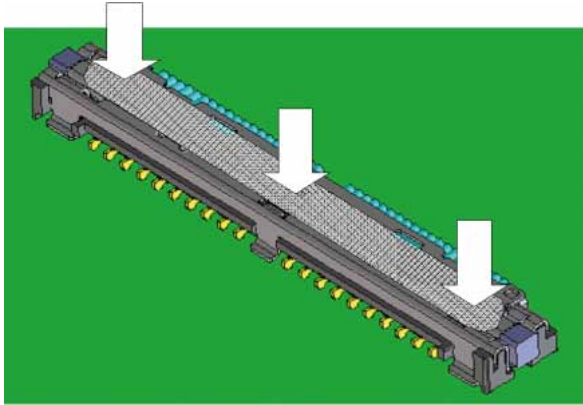
<p>1.Recommended temperature profile</p>	 <p><b>Applicable Conditions</b></p> <ol style="list-style-type: none"> <li>1. Peak Temperature : 250°C max.</li> <li>2. Heating : 220°C min. for 60 seconds max.</li> <li>3. Pre-heating : 150 to 180°C for 90 to 120 seconds.</li> <li>4. Number of cycles : Up to 2 cycles</li> </ol> <p>*Solder composition : Sn-3Ag-0.5Cu (Note 1) Values in this temperature profile are one of the recommendations.</p>
<p>2.Recommended manual soldering</p>	<p>Temperature of the soldering iron : 350°C max. Soldering time : 3 seconds max.</p>
<p>3.Recommended screen thickness and open area ratio (Pattern area ratio)</p>	<p>Standard thickness 0.1mm C: Stand-off type Opening ratio : Lead 100%, ground 100% None: Standard type Opening ratio : Lead 60%, ground 100%</p>
<p>4.Board warpage</p>	<p>Maximum of 0.02mm at the connector center, with both ends of the connector as reference points.</p>
<p>5.Cleaning conditions</p>	<p>IPA (Isopropyl Alcohol) cleaning is permitted. (Cleaning is not recommended as it may change the feel of the mating and un-mating of the connector. Please contact your Hirose sales representative for information if you plan to use any other cleaning agents.)</p>

## ◆ Precautions

### Precautions

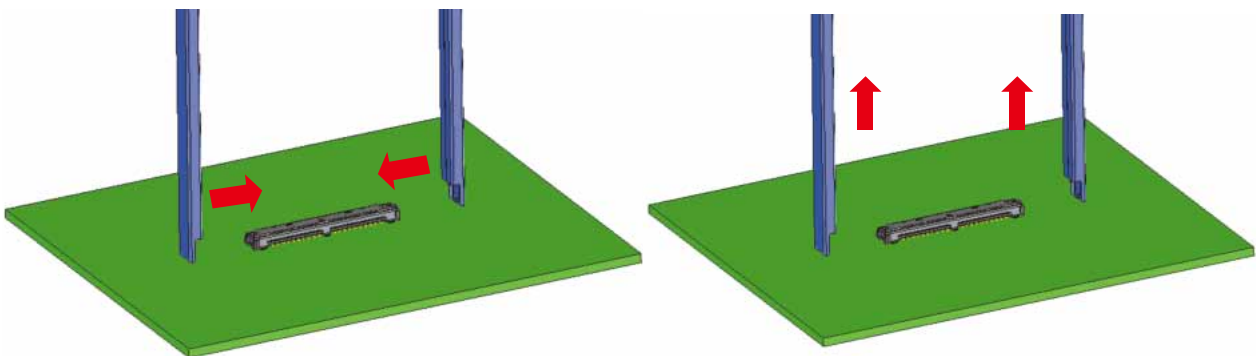
#### ■ Mating

Mate the plug with receptacle by pressing straight against the entire plug surface.  
Do NOT mate the plug while holding by the terminated cable.



#### ■ Un-mating

Use a dedicated extraction tool to un-mate the plug.  
Insert the tool under either end of the plug and pull straight up as illustrated.



- Do not mate / un-mate the connectors when receptacle is not mounted on the board.
- In the manual soldering process, don't carry out the flux coating which will cause a flux blister on the connector.
- Excessive scoop insertion or extraction may result in damage.

## MEMO :

A series of horizontal dashed lines for taking notes.

**USA:**

**HIROSE ELECTRIC (U.S.A.), INC. HEADQUARTERS CHICAGO OFFICE**  
2300 Warrenville Road, Suite 150,  
Downers Grove, IL 60515  
Phone : +1-630-282-6700  
<http://www.hirose.com/us/>

**USA:**

**HIROSE ELECTRIC (U.S.A.), INC. SAN JOSE OFFICE**  
2841 Junction Ave, Suite 200  
San Jose, CA. 95134  
Phone : +1-408-253-9640  
Fax : +1-408-253-9641  
<http://www.hirose.com/us/>

**USA:**

**HIROSE ELECTRIC (U.S.A.), INC. DETROIT OFFICE (AUTOMOTIVE)**  
17197 N. Laurel Park Drive, Suite 253,  
Livonia, MI 48152  
Phone : +1-734-542-9963  
Fax : +1-734-542-9964  
<http://www.hirose.com/us/>

**USA:**

**HIROSE ELECTRIC (U.S.A.), INC. BOSTON OFFICE**  
300 Brickstone Square Suite 201,  
Andover, MA 01810  
Phone : +1-978-662-5255

**THE NETHERLANDS:**

**HIROSE ELECTRIC EUROPE B.V.**  
Hogehillweg #8 1101 CC Amsterdam Z-0  
Phone : +31-20-6557460  
Fax : +31-20-6557469  
<http://www.hirose.com/eu/>

**GERMANY:**

**HIROSE ELECTRIC EUROPE B.V. GERMAN BRANCH**  
Schoenbergstr. 20, 73760 ostfildern  
Phone : +49-711-456002-1  
Fax : +49-711-456002-299  
<http://www.hirose.com/eu/>

**GERMANY:**

**HIROSE ELECTRIC EUROPE B.V. NUREMBERG OFFICE**  
Neumeyerstrasse 22-26, 90411 Nurnberg  
Phone : +49-911 32 68 89 63  
Fax : +49-911 32 68 89 69  
<http://www.hirose.com/eu/>

**GERMANY:**

**HIROSE ELECTRIC EUROPE B.V. HANOVER OFFICE**  
Bayernstr. 3, Haus C 30855 Langenhagen, Germany  
Phone : +49-511 97 82 61 30  
Fax : +49-511 97 82 61 35  
<http://www.hirose.com/eu/>

**FRANCE:**

**HIROSE ELECTRIC EUROPE B.V. PARIS OFFICE**  
Regus La Garenne Colombes, Place de La Belgique,  
71 Boulevard National La Garenne Colombes, 92250, France  
Phone : +33 (0) 1 7082 3170  
Fax : +33 (1) 7082 3101  
<http://www.hirose.com/eu/>

**UNITED KINGDOM:**

**HIROSE ELECTRIC EUROPE BV (UK BRANCH)**  
4 Newton Court, Kelvin Drive, Knowlhill,  
Milton Keynes, MK5 8NH  
Phone : +44-1908 202050  
Fax : +44-1908 202058  
<http://www.hirose.com/eu/>

**CHINA:**

**HIROSE ELECTRIC (SHANGHAI) CO., LTD.**  
18, Enterprise Center Tower 2, 209# Gong He  
Road, Jing'an District, Shanghai, CHINA 200070  
Phone : +86-21-6391-3355  
Fax : +86-21-6391-3335  
<http://www.hirose.com/cn/>

**CHINA:**

**HIROSE ELECTRIC (SHANGHAI) CO.,LTD. BEIJING BRANCH**  
A1001, Ocean International Center, Building 56# East 4th  
Ring Middle Road, ChaoYang District, Beijing, 100025  
Phone : +86-10-5165-9332  
Fax : +86-10-5908-1381  
<http://www.hirose.com/cn/>

**CHINA:**

**HIROSE ELECTRIC TECHNOLOGIES (SHENZHEN) CO., LTD.**  
Room 09-13, 19/F, Office Tower Shun Hing Square, Di Wang Commercial Centre,  
5002 Shen Nan Dong Road, Shenzhen City, Guangdong Province, 518008  
Phone : +86-755-8207-0851  
Fax : +86-755-8207-0873  
<http://www.hirose.com/cn/>

**HONG KONG:**

**HIROSE ELECTRIC HONGKONG TRADING CO., LTD.**  
Room 1001, West Wing, Tsim Sha Tsui Centre, 66  
Mody Road, Tsim Sha Tsui East, Kowloon, Hong Kong  
Phone : +852-2803-5338  
Fax : +852-2591-6560  
<http://www.hirose.com/hk/>

**TAIWAN:**

**HIROSE ELECTRIC TAIWAN CO., LTD.**  
103 8F, No.87, Zhengzhou Rd., Taipei  
Phone : +886-2-2555-7377  
Fax : +886-2-2555-7350  
<http://www.hirose.com/tw/>

**KOREA:**

**HIROSE KOREA CO.,LTD.**  
143, Gongdan 1-daero, Siheung-si,  
Gyeonggi-do, 15084, Korea  
Phone : +82-31-496-7000  
Fax : +82-31-496-7100  
<http://www.hirose.co.kr/>

**SINGAPORE:**

**HIROSE ELECTRIC SINGAPORE PTE. LTD.**  
03, Anson Road, #20-01, Springleaf Tower,  
Singapore 079909  
Phone : +65-6324-6113  
Fax : +65-6324-6123  
<http://www.hirose.com/sg/>

**INDIA:**

**HIROSE ELECTRIC SINGAPORE PTE. LTD. DELHI LIAISON OFFICE**  
Office NO.552, Regus-Green Boulevard, Level5, Tower C,  
Sec62, Plot B-9A, Block B, Noida, 201301, Uttar Pradesh, India  
Phone : +91-12-660-8018  
Fax : +91-120-4804949  
<http://www.hirose.com/sg/>

**INDIA:**

**HIROSE ELECTRIC SINGAPORE PTE. LTD. BANGALORE LIAISON OFFICE**  
Unit No-403, 4th Floor, No-84, Barton Centre, Mahatma  
Gandhi (MG) Road, Bangalore 560 001, Karnataka, India  
Phone : +91-80-4120 1907  
Fax : +91-80-4120 9908  
<http://www.hirose.com/sg/>

**MALAYSIA:**

**PENANG REPRESENTATIVE OFFICE**  
73-3-1, Ideal@The One, Jalan Mahsuri, Bayan  
Lepas Penang, 11950, Malaysia  
Phone : +604-648-5536  
<http://www.hirose.com/sg/>

**THAILAND:**

**BANGKOK OFFICE (REPRESENTATIVE OFFICE)**  
Unit 4703, 47th FL., 1 Empire Tower, South Sathorn  
Road, Yannawa, Sathorn, Bangkok 10120 Thailand  
Phone : +66-2-686-1255  
Fax : +66-2-686-3433  
<http://www.hirose.com/sg/>



**HIROSE ELECTRIC CO.,LTD.**

2-6-3,Nakagawa Chuoh,Tsuzuki-Ku,Yokohama-Shi 224-8540,JAPAN  
TEL: +81-45-620-3526 Fax: +81-45-591-3726  
<http://www.hirose.com>  
<http://www.hirose-connectors.com>

## X-ON Electronics

Largest Supplier of Electrical and Electronic Components

*Click to view similar products for [FFC & FPC Connectors](#) category:*

*Click to view products by [Hirose](#) manufacturer:*

Other Similar products are found below :

[K-FC20](#) [FH29B-80S-0.2SHW\(99\)](#) [FPH-2022G](#) [AYF332735](#) [52610-1075](#) [52610-1275](#) [52610-1934](#) [501864-3091-TR225](#) [086222026001800](#)  
[52610-0675](#) [62684-36210E9ALF](#) [52746-1671-TR250](#) [10051922-2810EHLF](#) [6-520415-9](#) [SFV6R-1STE9HLF](#) [XF3M-2915-1B-R100](#)  
[1658549-1](#) [46214008010800](#) [AYF534065TA](#) [AYF351525](#) [086212040340800+](#) [AYF530365TA](#) [67000-014LF](#) [67000-004LF](#)  
[006207341915000+](#) [DS1020-19RT1D](#) [67000-003LF](#) [67000-011LF](#) [67000-016LF](#) [HFW14R-2STE9LF](#) [SFV32R-2STBE9HLF](#) [SFW12R-](#)  
[5STE9LF](#) [SFW18R-1STAE9LF](#) [SFW4R-5STE9LF](#) [52807-0430](#) [046283021002868+](#) [THD1015-8CL-SN](#) [67000-006LF](#) [502250-8027](#)  
[104267-9617](#) [66987-011LF](#) [AYF362535](#) [F0501-T-50-20T-R](#) [HFW8S-2STAE1HLF](#) [67000-008LF](#) [67000-012LF](#) [ECC576069EU](#) [F1002-B-](#)  
[20-20T-R](#) [HFW15S-2STAE1HLF](#) [0781271110](#)