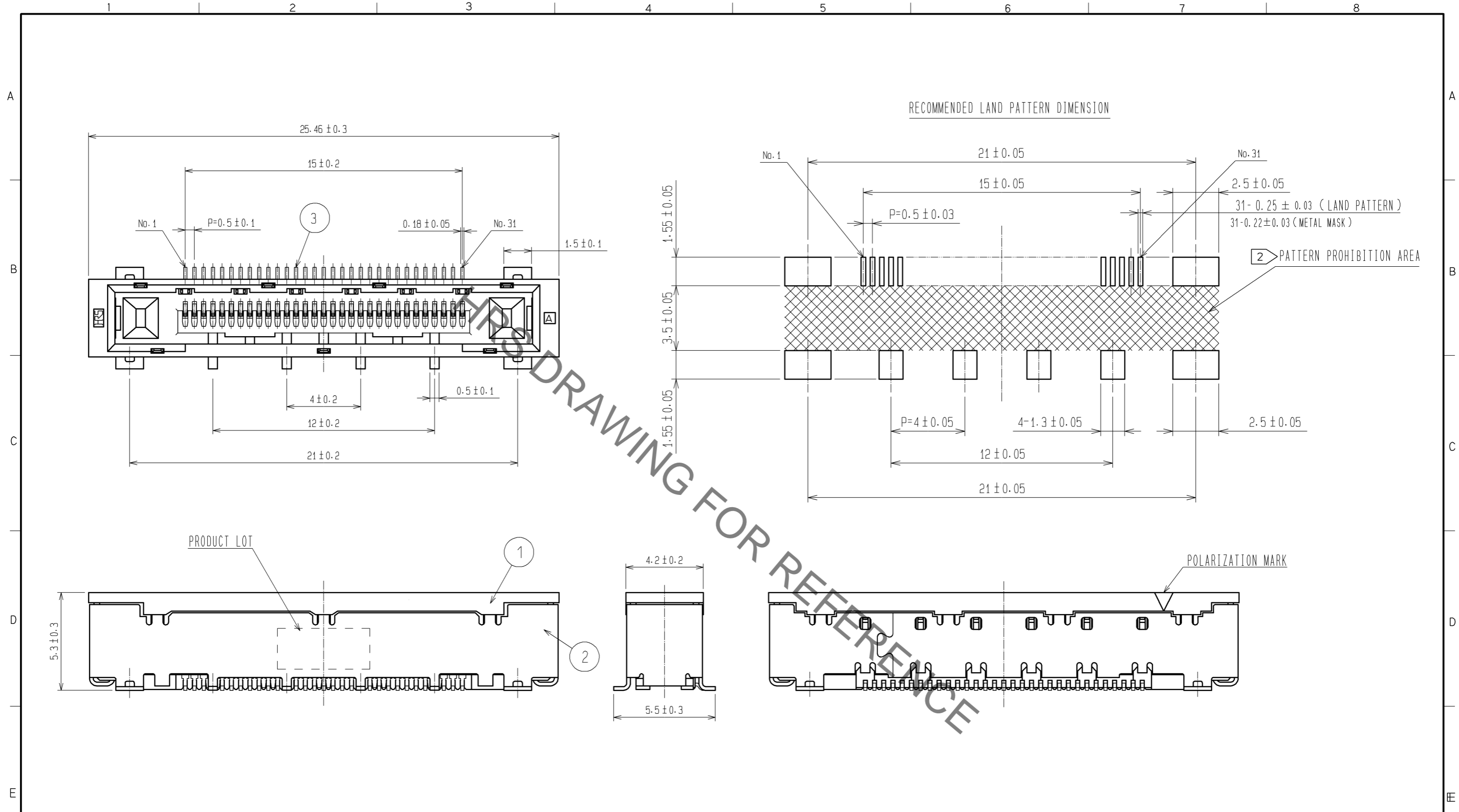


Sep.1.2021 Copyright 2021 HIROSE ELECTRIC CO., LTD. All Rights Reserved.  
In case of consideration for using Automotive equipment / device which demand high reliability, kindly contact our sales window correspondents.



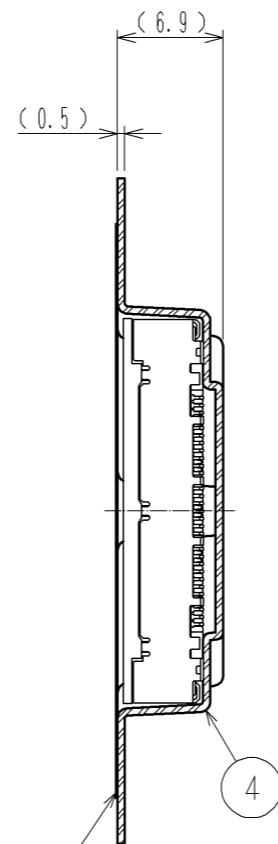
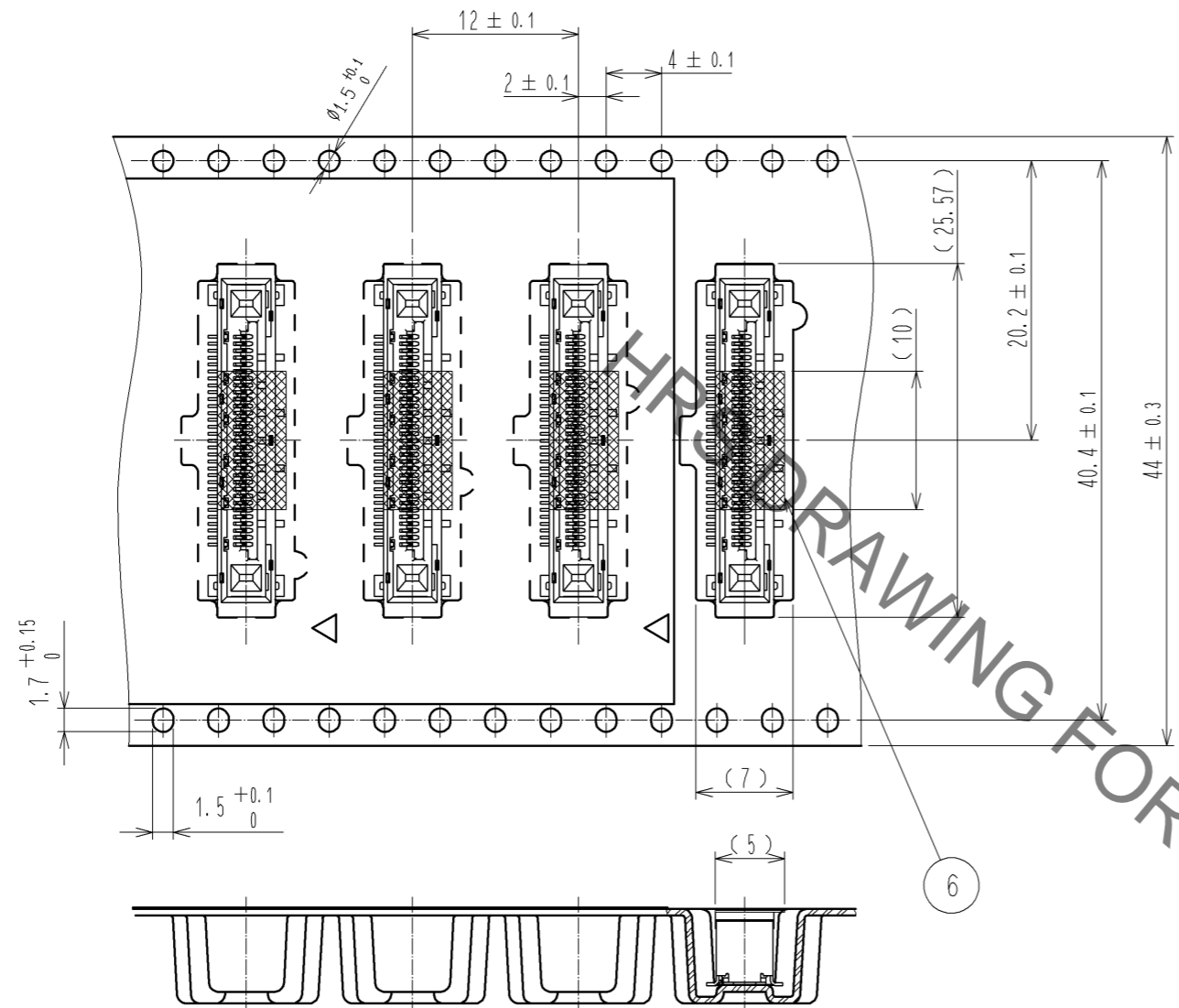
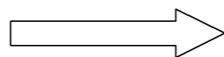
- NOTE 1 LEAD CO-PLANARITY OF THIS PRODUCT TO BE 0.1MAX.
- 2 AREA OF INNER SMT LAND REQUIRES PATTERN PROHIBITION OR RESIST TREATMENT TO PREVENT THE PATTERN TOUCHING TO THE CONTACTS.
- 3 ( ) INDICATES A REFERENCE DIMENSION.
- 4 MANUFACTURING PROCESS COULD LEAVE SCRATCH AND/OR PUNCH MARKS HAVING NO AFFECT ON THE PRODUCT PERFORMANCE.
- 5 PACKAGING FOR THIS PRODUCT APPLIES EMBOSSED CARRIER TAPE PACKAGING. SEE SHEET 2/2 FOR DETAILS.

3	PHOSPHOR BRONZE	CONTACT AREA : GOLD $0.1 \mu\text{m}$ min	6	PI	(TAPE FOR VACUUM PICK UP)		
		LEAD AREA : GOLD $0.03 \mu\text{m}$ min	5	PE	(COVER TAPE)		
		UNDER PLATING : NICKEL $1 \mu\text{m}$ min	4	PS	(EMBOSSED CARRIER TAPE)		
1	LCP	BLACK. UL94V-0	2	PHOSPHOR BRONZE	OVER PLATING : TIN PLATING $1 \mu\text{m}$ min		
					UNDER PLATING : NICKEL $0.2 \mu\text{m}$ min		
NO.	MATERIAL	FINISH . REMARKS	NO.	MATERIAL	FINISH . REMARKS		
UNITS		SCALE	COUNT	DESCRIPTION OF REVISIONS	DESIGNED	CHECKED	DATE
mm		5 : 1					
<b>HRS</b> HIROSE ELECTRIC CO., LTD.		APPROVED : HS. OKAWA	11.09.15	DRAWING NO. EDC3-157330-02			
		CHECED : HT. YAMAGUCHI	11.09.15	PART NO. FX16-31S-0.5SV(30)			
		DESIGNED : TS. MIYAKI	11.09.15	CODE NO. CL575-3402-4-30			
		DRAWN : TS. MIYAKI	11.09.15			1/2	

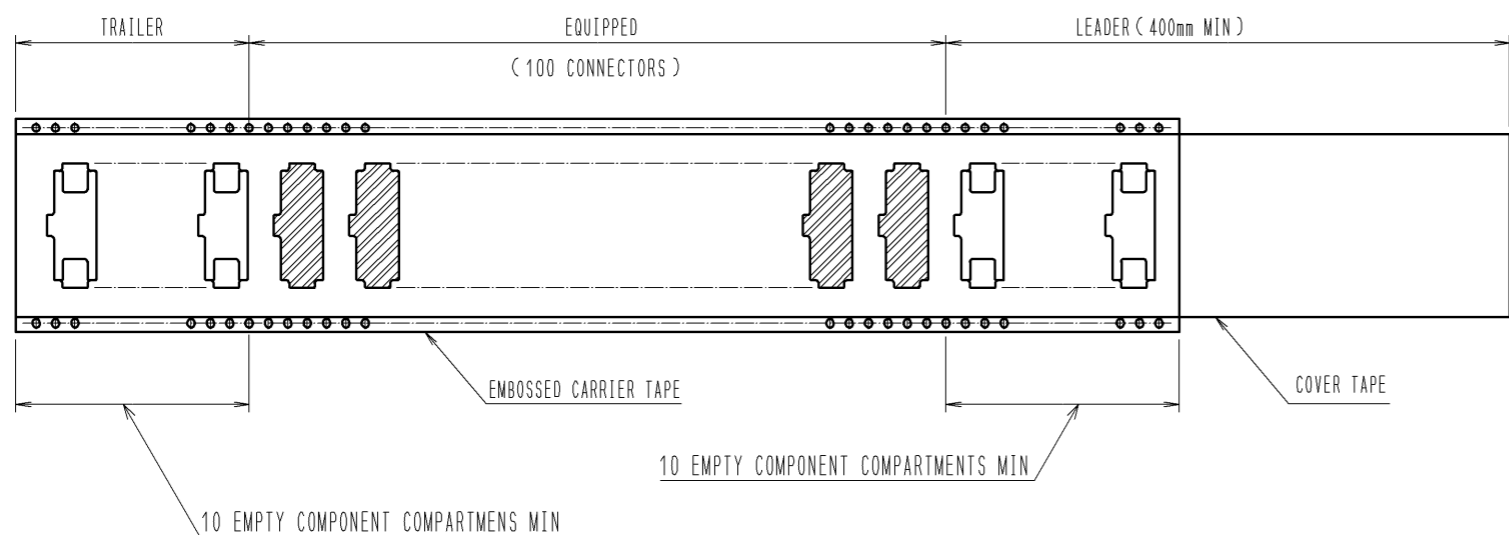
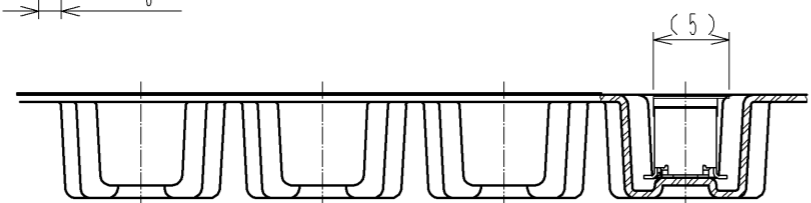
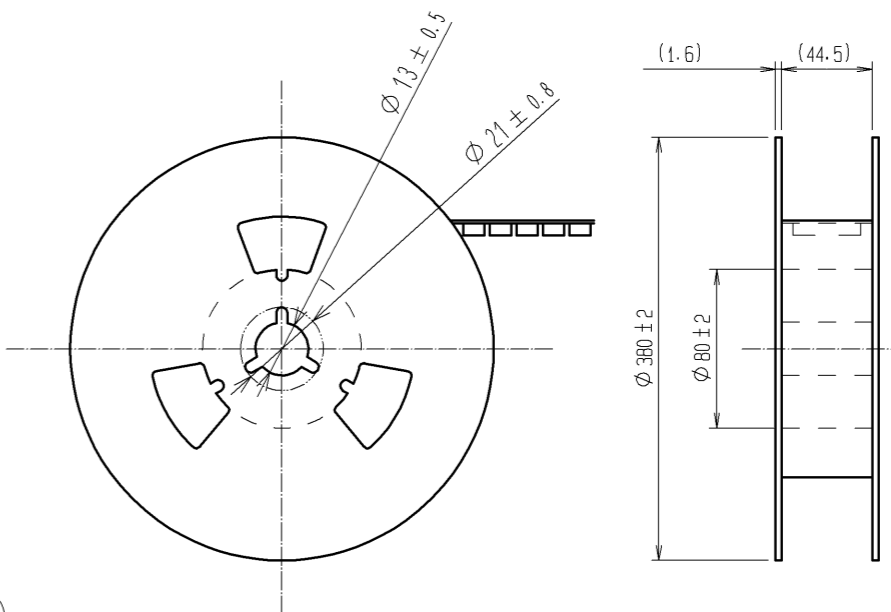
Sep.1.2021 Copyright 2021 HIROSE ELECTRIC CO., LTD. All Rights Reserved.  
 In case of consideration for using Automotive equipment / device which demand high reliability, kindly contact our sales window correspondents.

DRAWING FOR PACKING (2:1)

THE DIRECITON OF PULLING OUT



REELED DIMENSION (FREE)



DRAWING FOR REFERENCE

<b>HRS</b>	DRAWING NO.	EDC3-157330-02	2/2
	PART NO.	FX16-31S-0.5SV(30)	
	CODE NO.	CL575-3402-4-30	

## X-ON Electronics

Largest Supplier of Electrical and Electronic Components

*Click to view similar products for [FFC & FPC Connectors](#) category:*

*Click to view products by [Hirose](#) manufacturer:*

Other Similar products are found below :

[K-FC20](#) [FH29B-80S-0.2SHW\(99\)](#) [FPH-2022G](#) [AYF332735](#) [52610-1075](#) [52610-1275](#) [52610-1934](#) [501864-3091-TR225](#) [086222026001800](#)  
[52610-0675](#) [62684-36210E9ALF](#) [52746-1671-TR250](#) [10051922-2810EHLF](#) [6-520415-9](#) [SFV6R-1STE9HLF](#) [XF3M-2915-1B-R100](#)  
[1658549-1](#) [46214008010800](#) [AYF534065TA](#) [AYF351525](#) [086212040340800+](#) [AYF530365TA](#) [67000-014LF](#) [67000-004LF](#)  
[006207341915000+](#) [DS1020-19RT1D](#) [67000-003LF](#) [67000-011LF](#) [67000-016LF](#) [HFW14R-2STE9LF](#) [SFV32R-2STBE9HLF](#) [SFW12R-](#)  
[5STE9LF](#) [SFW18R-1STAE9LF](#) [SFW4R-5STE9LF](#) [52807-0430](#) [046283021002868+](#) [THD1015-8CL-SN](#) [67000-006LF](#) [502250-8027](#)  
[104267-9617](#) [66987-011LF](#) [AYF362535](#) [F0501-T-50-20T-R](#) [HFW8S-2STAE1HLF](#) [67000-008LF](#) [67000-012LF](#) [ECC576069EU](#) [F1002-B-](#)  
[20-20T-R](#) [HFW15S-2STAE1HLF](#) [0781271110](#)