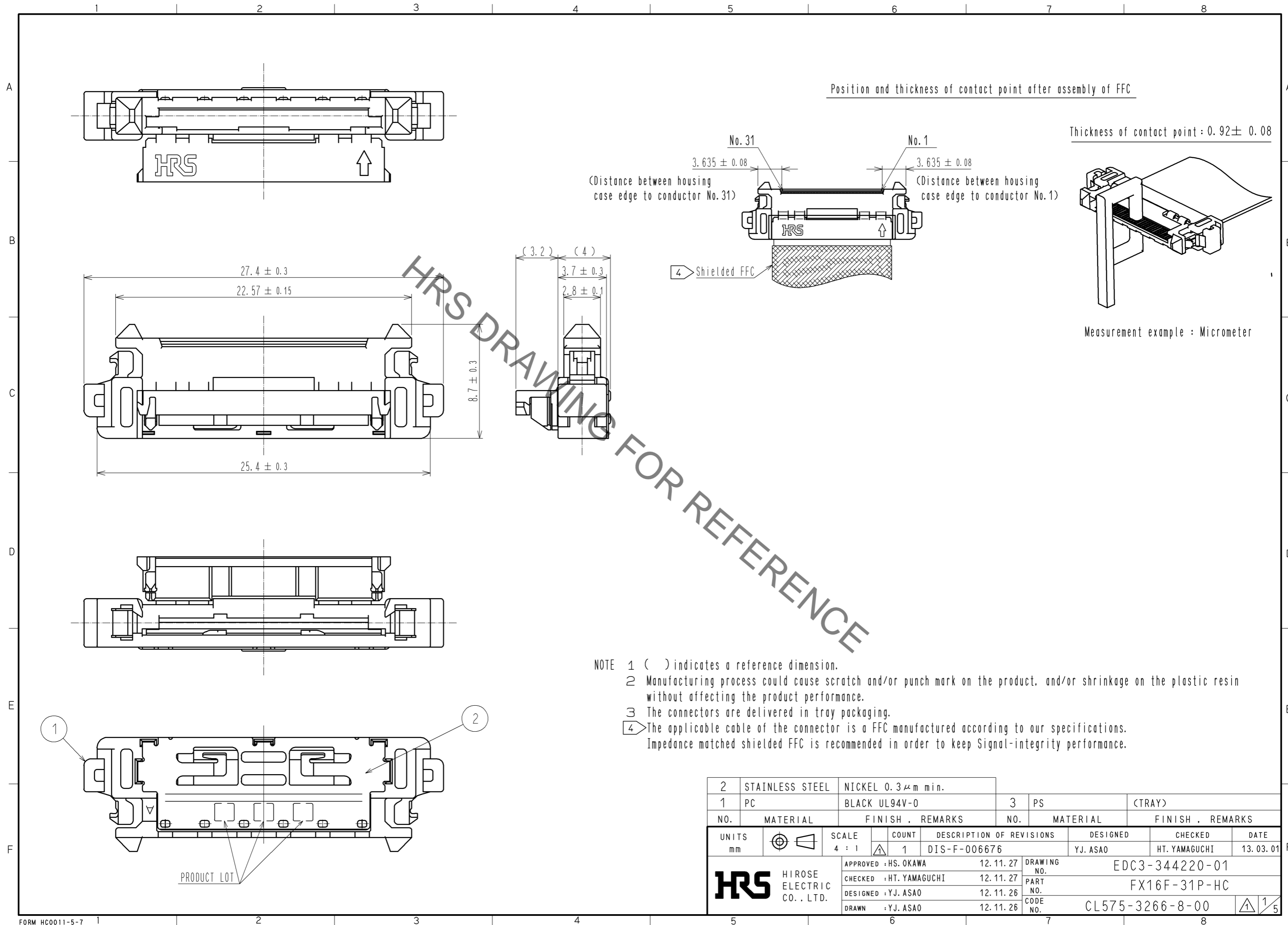


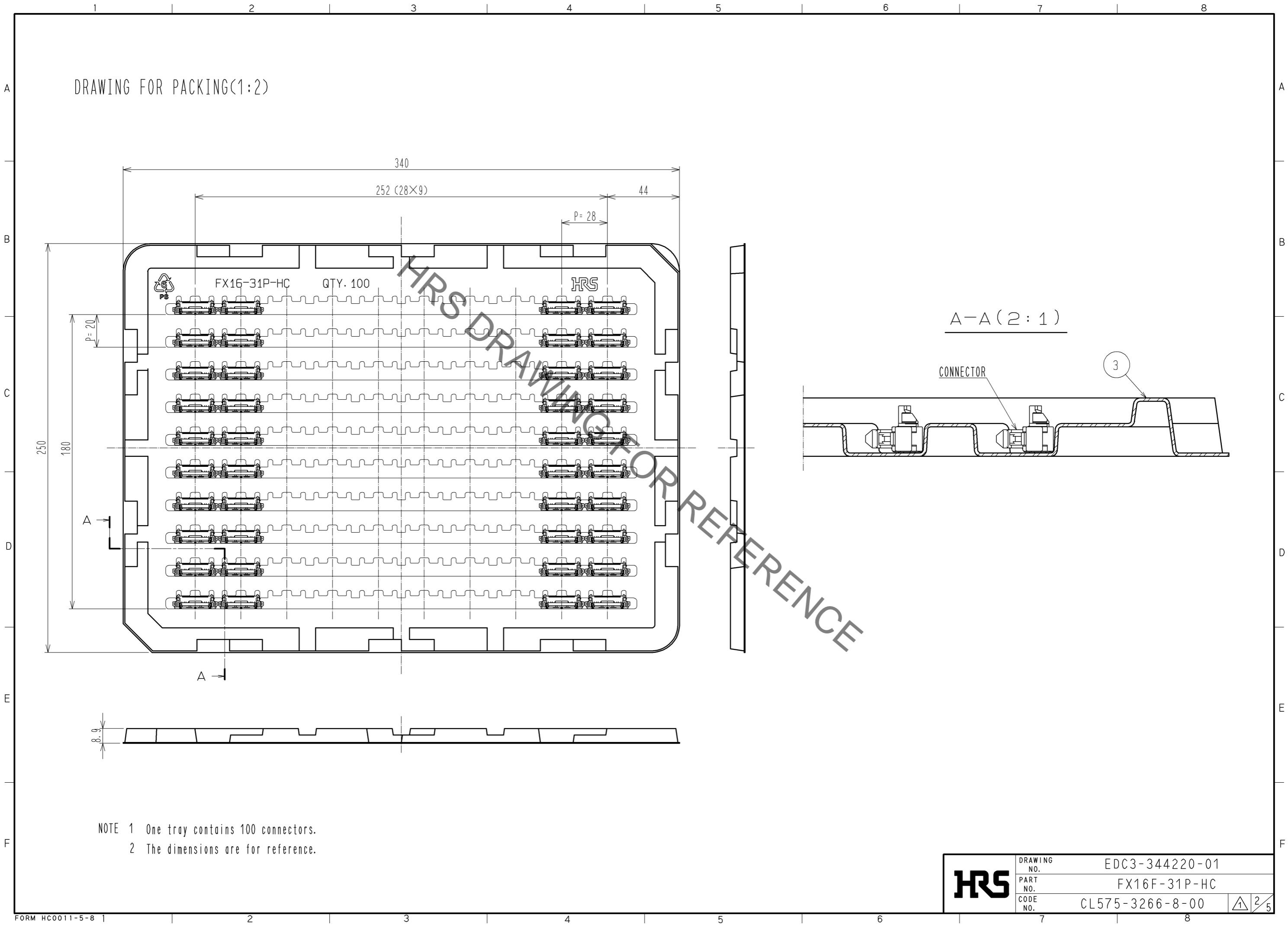
Sep.1.2021 Copyright 2021 HIROSE ELECTRIC CO., LTD. All Rights Reserved.  
In case of consideration for using Automotive equipment / device which demand high reliability, kindly contact our sales window correspondents.



2	STAINLESS STEEL	NICKEL 0.3 μm min.	3	PS	(TRAY)
1	PC	BLACK UL94V-0			
NO.	MATERIAL	FINISH . REMARKS	NO.	MATERIAL	FINISH . REMARKS
UNITS		SCALE	COUNT	DESCRIPTION OF REVISIONS	
mm		4 : 1	1	DIS-F-006676	
DESIGNED			CHECKED		
Y.J. ASAO			HT. YAMAGUCHI		
DATE			DATE		
13. 03. 01			13. 11. 27		
APPROVED : HS. OKAWA			DRAWING NO. EDC3-344220-01		
CHECKED : HT. YAMAGUCHI			PART NO. FX16F-31P-HC		
DESIGNED : Y.J. ASAO			CODE NO. CL575-3266-8-00		
DRAWN : Y.J. ASAO			1/5		

Sep.1.2021 Copyright 2021 HIROSE ELECTRIC CO., LTD. All Rights Reserved.  
In case of consideration for using Automotive equipment / device which demand high reliability, kindly contact our sales window correspondents.

# DRAWING FOR PACKING(1:2)



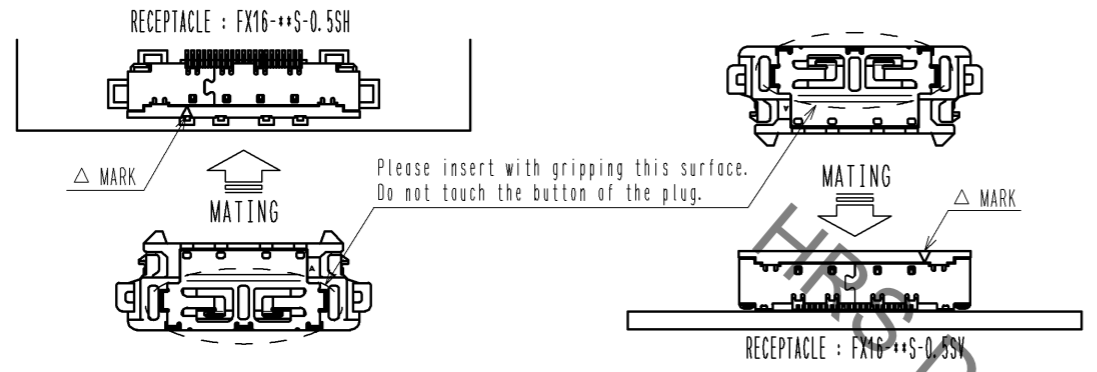
- NOTE 1 One tray contains 100 connectors.
- NOTE 2 The dimensions are for reference.

<b>HRS</b>	DRAWING NO.	EDC3-344220-01
	PART NO.	FX16F-31P-HC
	CODE NO.	CL575-3266-8-00
		2/5

**HANDLING INSTRUCTIONS**

**[ 1 ] Insertion to on-board connector**

The connector mating is keyed. Align the marks as shown in the figure for mating. Insert the connector completely until they are locked at both ends.



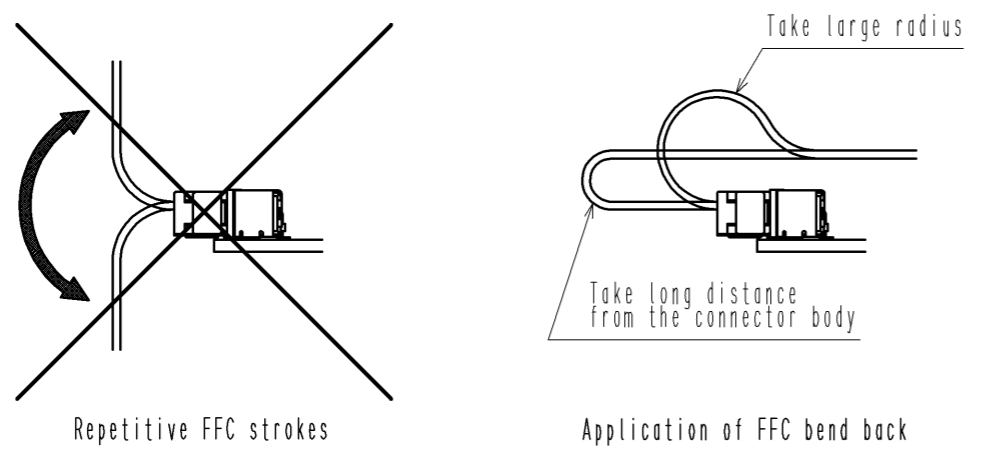
The connectors have a reverse-insertion prevention structure. However, the connectors may be damaged when inserted reversely with the force of 25N or more. Avoid a forceful insertion and make sure to confirm that the connectors are aligned with the marks before the mating operation.

**[ 2 ] After mating**

Carefully wire FFC, so that excessive force will not be applied to the mated connector. Pulling the FFC with the force of 10N or more may damage the connector. It may also cause FFC breakage. Take a caution to avoid pulling the FFC.

Repetitive FFC strokes could also cause FFC breakage as well. Do not use the connector under the environment of repetitive FFC strokes.

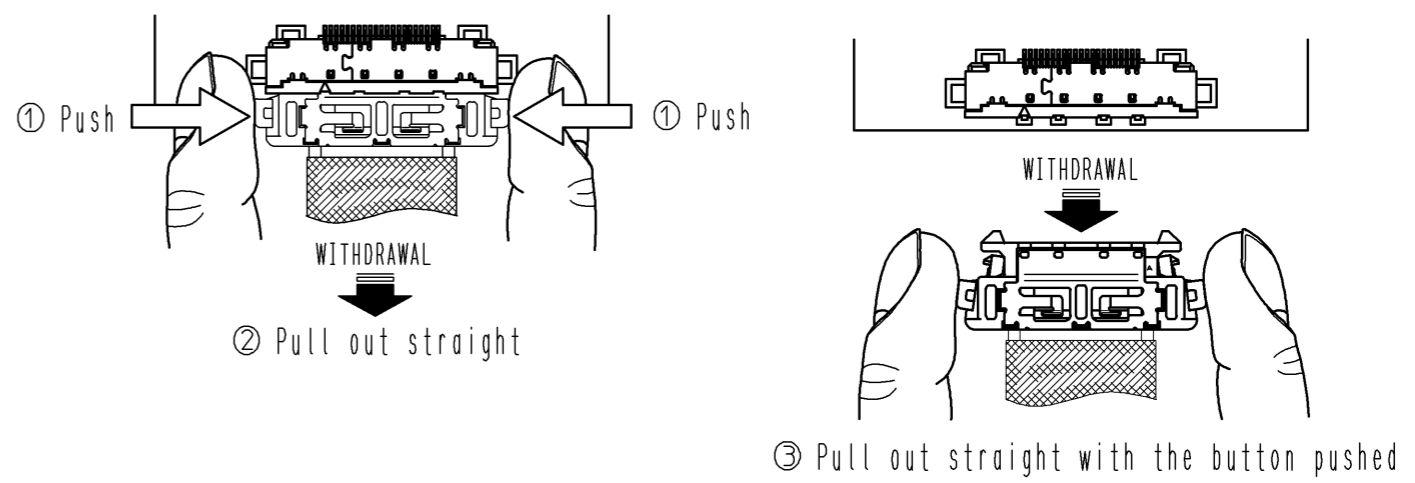
Take enough bend radius and/or distance from the connector for FFC not to apply stress to the connector base when the application requires FFC bend back.



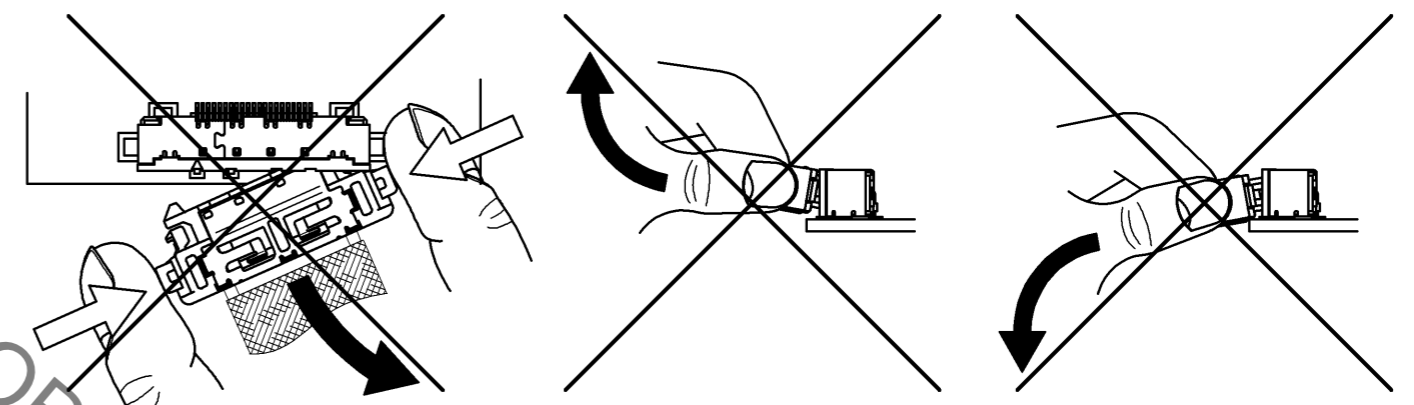
**[ 3 ] Withdrawal from on-board connector**

The connectors are locked while they are mated. In order to unmate the connectors, pull out straight with the button pushed to release the lock. At this time, do not pull the FFC. Also avoid the withdrawal in angle, which may damage the connectors.

**<Correct withdrawal>**

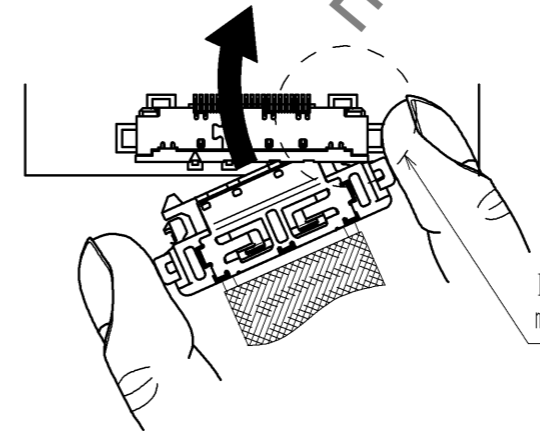


**<Incorrect withdrawal>**



**[ 4 ] For the case that connector is withdrawn in condition that lock on one side is locked**

In case connector is withdrawn in condition that lock on one side is locked, it could damage the locking part. In such case, do not withdraw forcefully, but mate the plug again and pull out the plug in condition that the two locks are locked and withdraw with <Correct withdrawal> method.



In case connector is withdrawn with lock that is locked on one side, mate the plug again and withdraw with <Correct withdrawal> method.

\*Note : The connectors shown in this 'HANDLING INSTRUCTIONS' are drawn for the instruction purpose. Therefore, the appearance differs from the actual connectors. Please confirm the connector configuration on the connector drawing (SHEET 1).

<b>HRS</b>	DRAWING NO.	EDC3-344220-01
	PART NO.	FX16F-31P-HC
	CODE NO.	CL575-3266-8-00
		3/5

Sep.1.2021 Copyright 2021 HIROSE ELECTRIC CO., LTD. All Rights Reserved. In case of consideration for using Automotive equipment / device which demand high reliability, kindly contact our sales window correspondents.

Sep.1.2021 Copyright 2021 HIROSE ELECTRIC CO., LTD. All Rights Reserved.  
In case of consideration for using Automotive equipment / device which demand high reliability, kindly contact our sales window correspondents.

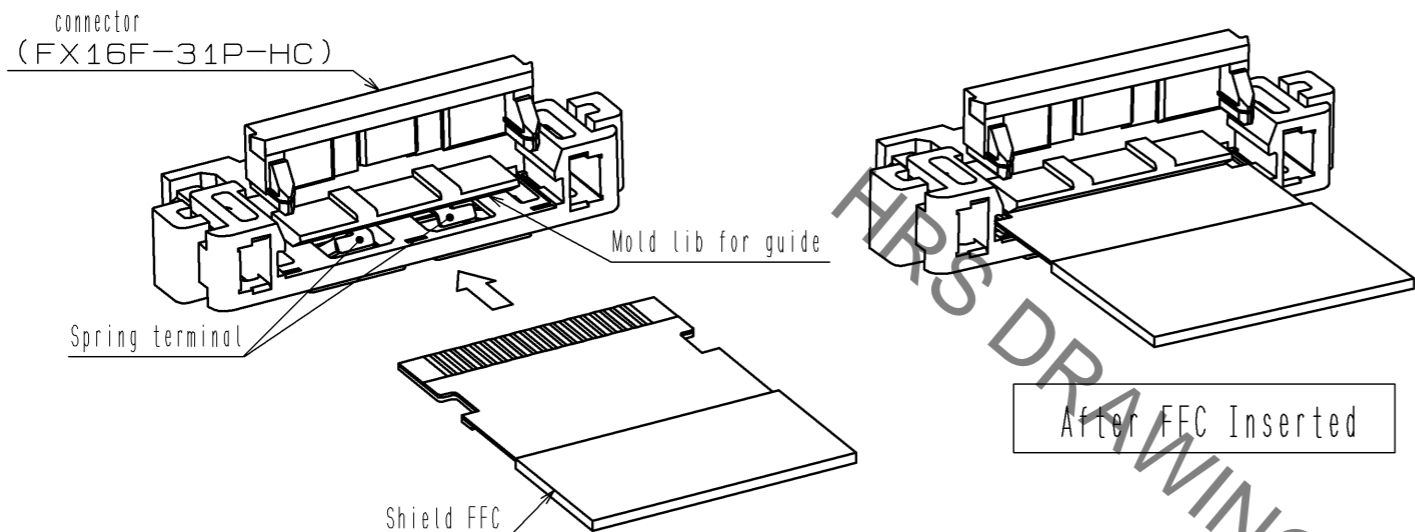
Please read the notification below before handling the connector.

### PRECAUTION FOR HARNESS

\*Please make sure not to touch conductor of FFC.

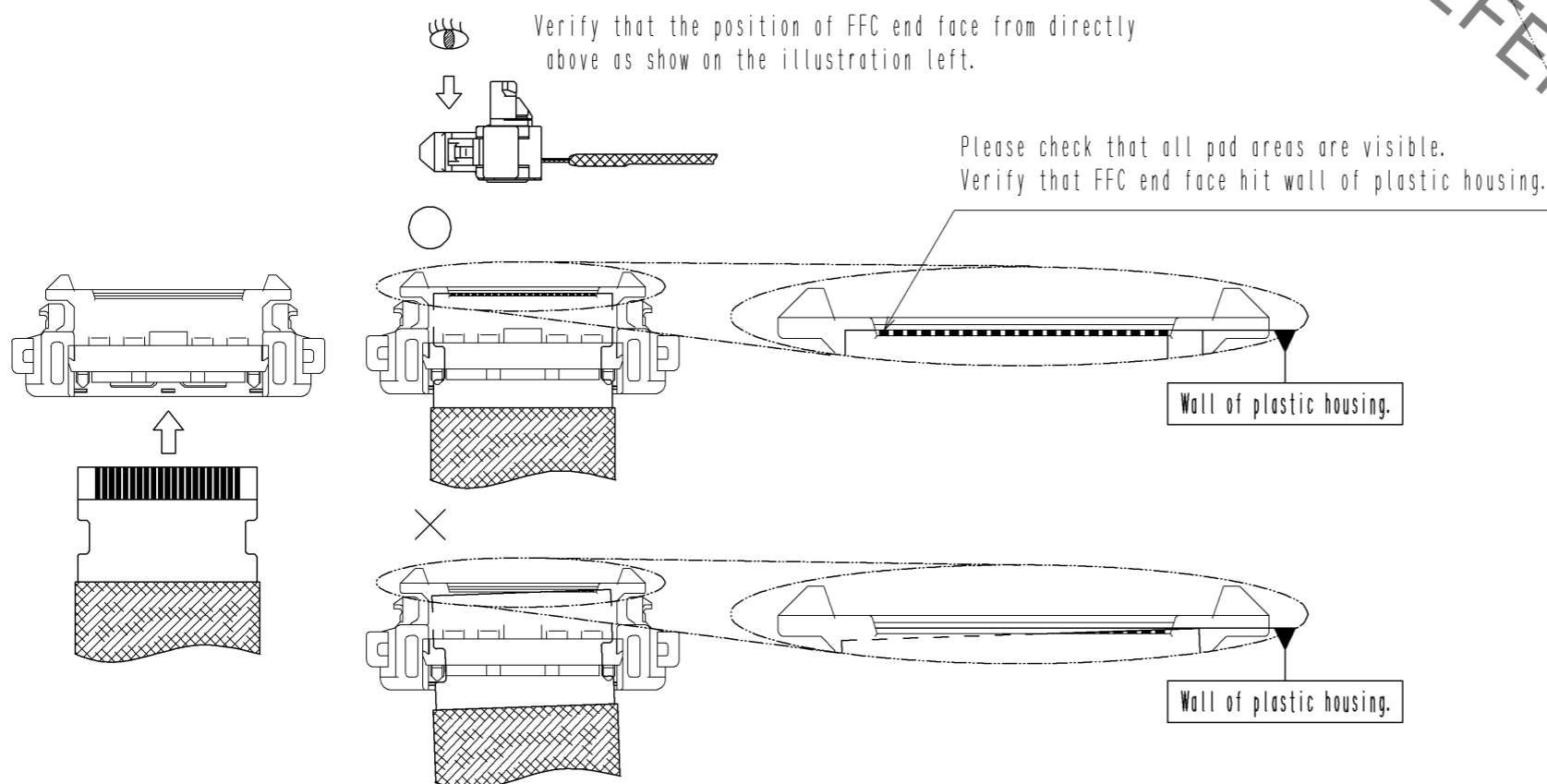
#### 【 1 】 How to insert FFC

FFC needs to be inserted straight in alignment with mold lib as shown on illustration below.  
In case FFC is inserted wrong direction, FFC can not be inserted.  
In the worst case, FFC will be deformed, plastic housing, spring terminal will be broken, so please be aware of these points.



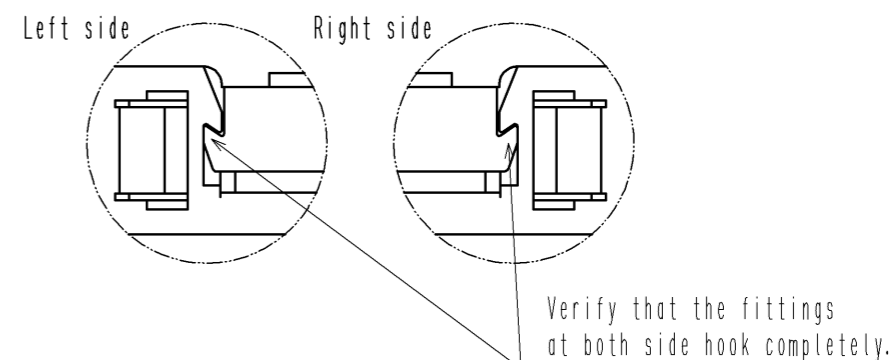
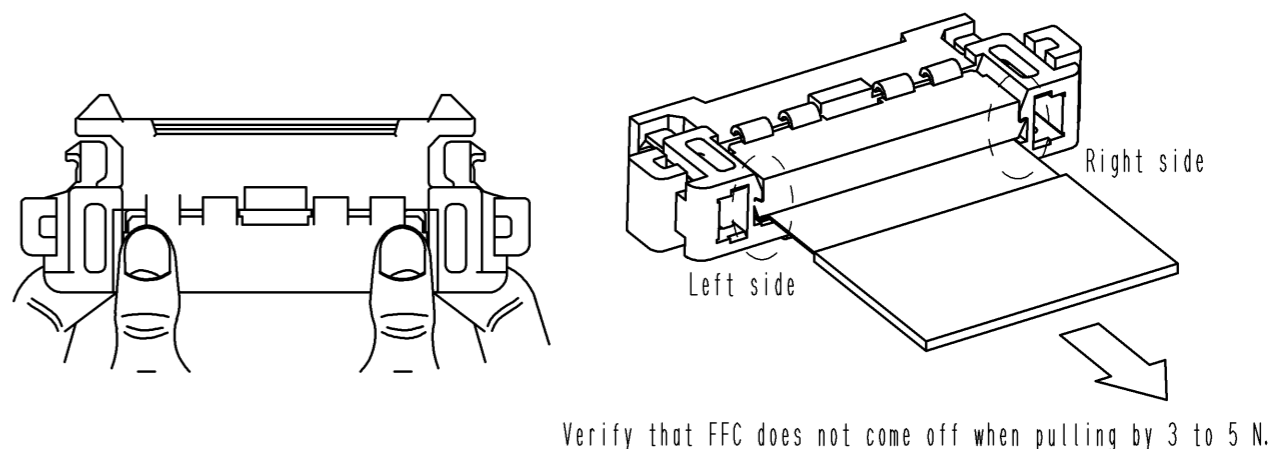
#### 【 2 】 How to check FFC inserted position

Verify that the position of FFC end face from directly above to check whether FFC inserted to correct position.  
When inserted correctly, the end of FFC is visible through the square holes in the plastic housing.  
\*Please check that the end of FFC hits the wall of the plastic housing.



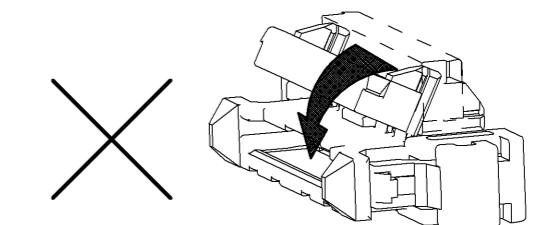
#### 【 3 】 How to fix FFC

Hold the connector with both hands and put the thumb near the fook of both sides of the hinged actuator as shown in the figure below.  
Then push down both sides of the hinged actuator at the same time.  
After closing hinged actuator, hold both sides of the plastic housing and pull the FFC to FFC layout direction by 3 to 5N, then verify that FFC does not comes off from the plastic housing and fit to both side hooks completely.



#### 【 4 】 Other precautions

① Do not apply forces to the hinged actuator to the direction as shown below, and also avoid closing it to the locked position until the correct process in cable assembly. Do not use the connector when this happens.



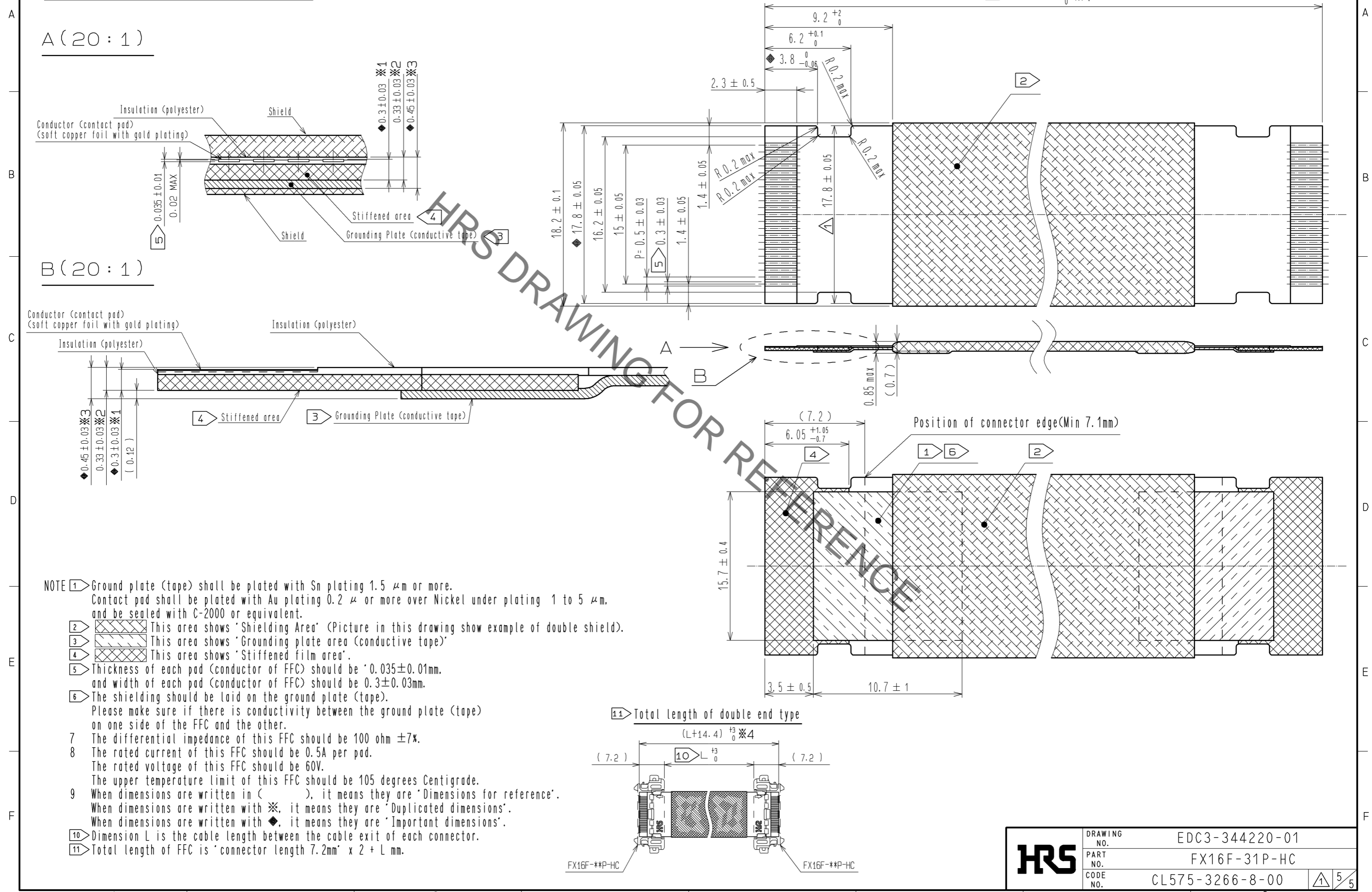
② Once removing the FFC from the plug housing after cable assembly, do not reuse.  
③ For the packing of the plug after cable assembly, do not damage and/or deform the product.

\*Note : The connectors shown in this 'PRECAUTION FOR HARNESS' are drawn for the instruction purpose. Therefore, the appearance differs from the actual connectors. Please confirm the connector configuration on the connector drawing (SHEET 1).

<b>HRS</b>	DRAWING NO.	EDC3-344220-01
	PART NO.	FX16F-31P-HC
	CODE NO.	CL575-3266-8-00
		4/5

Sep.1.2021 Copyright 2021 HIROSE ELECTRIC CO., LTD. All Rights Reserved.  
In case of consideration for using Automotive equipment / device which demand high reliability, kindly contact our sales window correspondents.

Applicable FFC dimensions



- NOTE
- 1 Ground plate (tape) shall be plated with Sn plating 1.5 μm or more. Contact pad shall be plated with Au plating 0.2 μm or more over Nickel under plating 1 to 5 μm, and be sealed with C-2000 or equivalent.
  - 2 This area shows 'Shielding Area' (Picture in this drawing show example of double shield).
  - 3 This area shows 'Grounding plate area (conductive tape)'
  - 4 This area shows 'Stiffened film area'.
  - 5 Thickness of each pad (conductor of FFC) should be 0.035 ± 0.01mm, and width of each pad (conductor of FFC) should be 0.3 ± 0.03mm.
  - 6 The shielding should be laid on the ground plate (tape). Please make sure if there is conductivity between the ground plate (tape) on one side of the FFC and the other.
  - 7 The differential impedance of this FFC should be 100 ohm ± 7%.
  - 8 The rated current of this FFC should be 0.5A per pad. The rated voltage of this FFC should be 60V. The upper temperature limit of this FFC should be 105 degrees Centigrade.
  - 9 When dimensions are written in ( ), it means they are 'Dimensions for reference'. When dimensions are written with x, it means they are 'Duplicated dimensions'. When dimensions are written with ♦, it means they are 'Important dimensions'.
  - 10 Dimension L is the cable length between the cable exit of each connector.
  - 11 Total length of FFC is 'connector length 7.2mm' x 2 + L mm.

<b>HRS</b>	DRAWING NO.	EDC3-344220-01
	PART NO.	FX16F-31P-HC
	CODE NO.	CL575-3266-8-00
		5/5

## X-ON Electronics

Largest Supplier of Electrical and Electronic Components

*Click to view similar products for [FFC & FPC Connectors](#) category:*

*Click to view products by [Hirose](#) manufacturer:*

Other Similar products are found below :

[K-FC20](#) [FH29B-80S-0.2SHW\(99\)](#) [FPH-2022G](#) [AYF332735](#) [52610-1075](#) [52610-1275](#) [52610-1934](#) [501864-3091-TR225](#) [086222026001800](#)  
[52610-0675](#) [62684-36210E9ALF](#) [52746-1671-TR250](#) [10051922-2810EHLF](#) [6-520415-9](#) [SFV6R-1STE9HLF](#) [XF3M-2915-1B-R100](#)  
[1658549-1](#) [46214008010800](#) [AYF534065TA](#) [AYF351525](#) [086212040340800+](#) [AYF530365TA](#) [67000-014LF](#) [67000-004LF](#)  
[006207341915000+](#) [DS1020-19RT1D](#) [67000-003LF](#) [67000-011LF](#) [67000-016LF](#) [HFW14R-2STE9LF](#) [SFV32R-2STBE9HLF](#) [SFW12R-](#)  
[5STE9LF](#) [SFW18R-1STAE9LF](#) [SFW4R-5STE9LF](#) [52807-0430](#) [046283021002868+](#) [THD1015-8CL-SN](#) [67000-006LF](#) [502250-8027](#)  
[104267-9617](#) [66987-011LF](#) [AYF362535](#) [F0501-T-50-20T-R](#) [HFW8S-2STAE1HLF](#) [67000-008LF](#) [67000-012LF](#) [ECC576069EU](#) [F1002-B-](#)  
[20-20T-R](#) [HFW15S-2STAE1HLF](#) [0781271110](#)