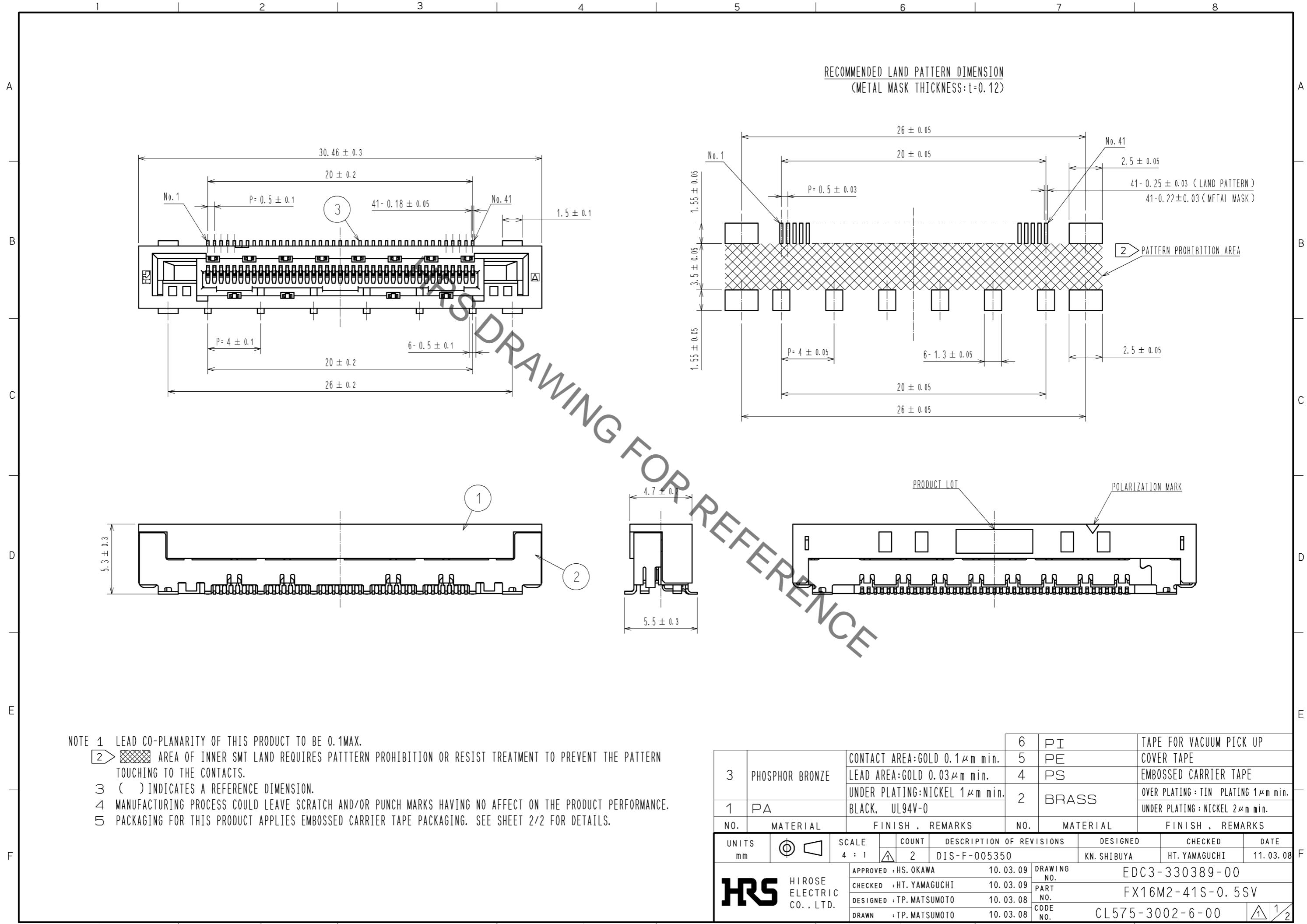


Sep.1.2021 Copyright 2021 HIROSE ELECTRIC CO., LTD. All Rights Reserved.
In case of consideration for using Automotive equipment / device which demand high reliability, kindly contact our sales window correspondents.



- NOTE 1 LEAD CO-PLANARITY OF THIS PRODUCT TO BE 0.1MAX.
 2 AREA OF INNER SMT LAND REQUIRES PATTERN PROHIBITION OR RESIST TREATMENT TO PREVENT THE PATTERN TOUCHING TO THE CONTACTS.
 3 () INDICATES A REFERENCE DIMENSION.
 4 MANUFACTURING PROCESS COULD LEAVE SCRATCH AND/OR PUNCH MARKS HAVING NO AFFECT ON THE PRODUCT PERFORMANCE.
 5 PACKAGING FOR THIS PRODUCT APPLIES EMBOSSED CARRIER TAPE PACKAGING. SEE SHEET 2/2 FOR DETAILS.

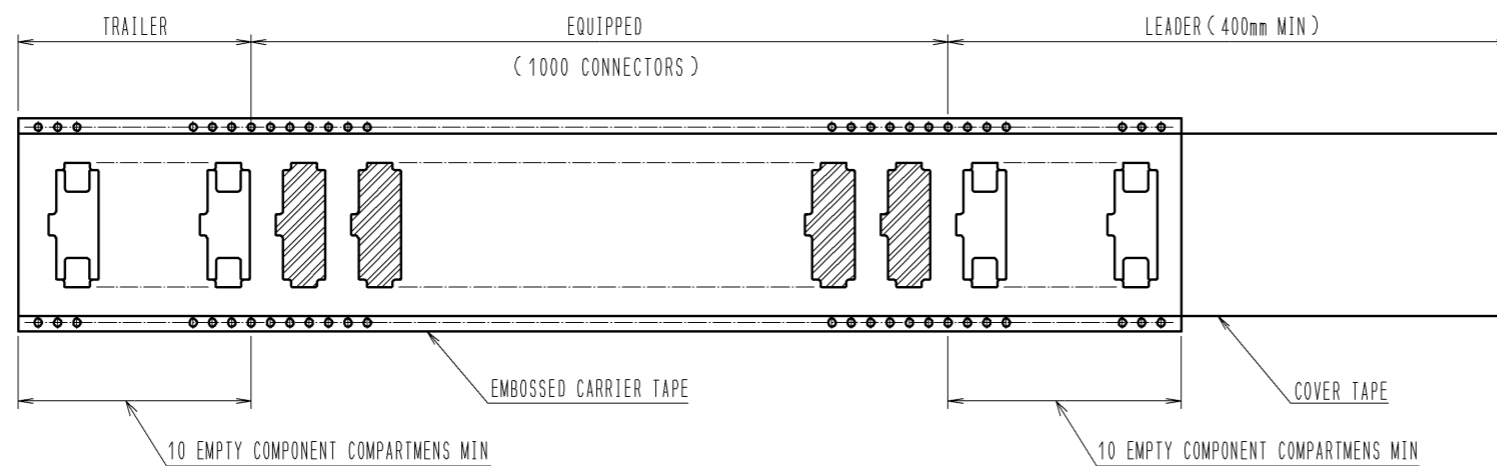
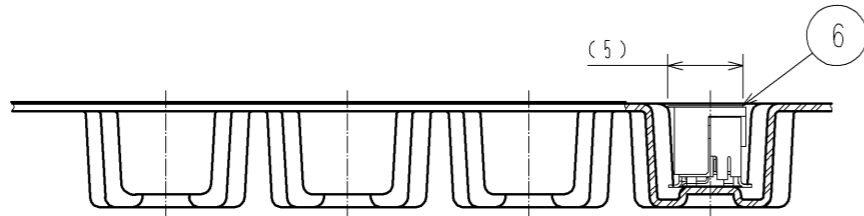
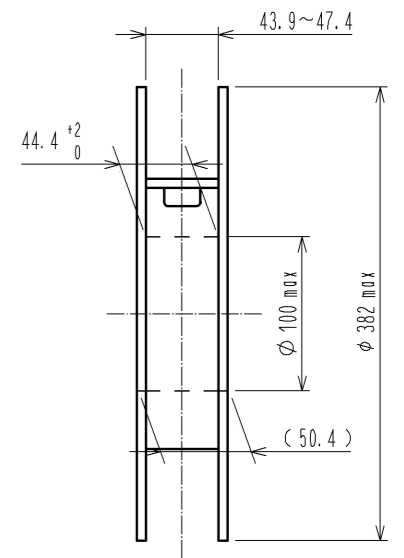
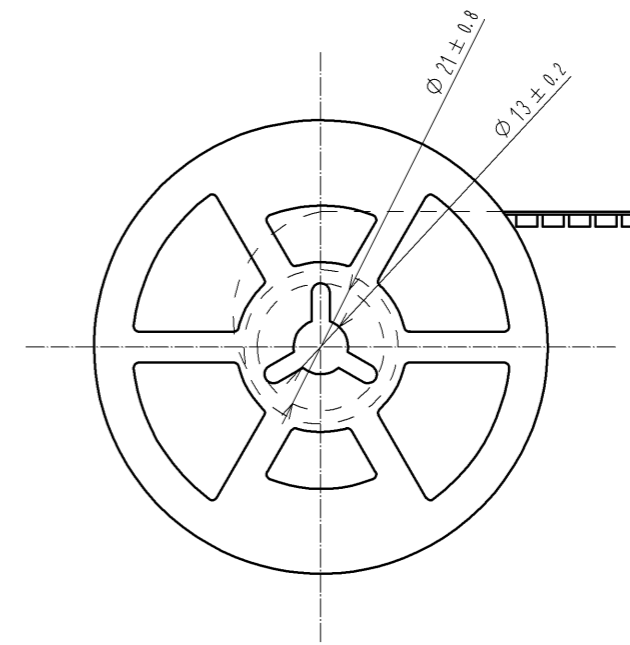
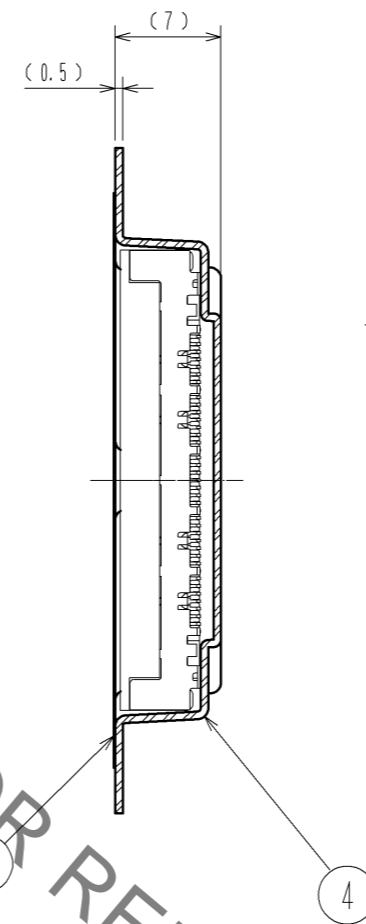
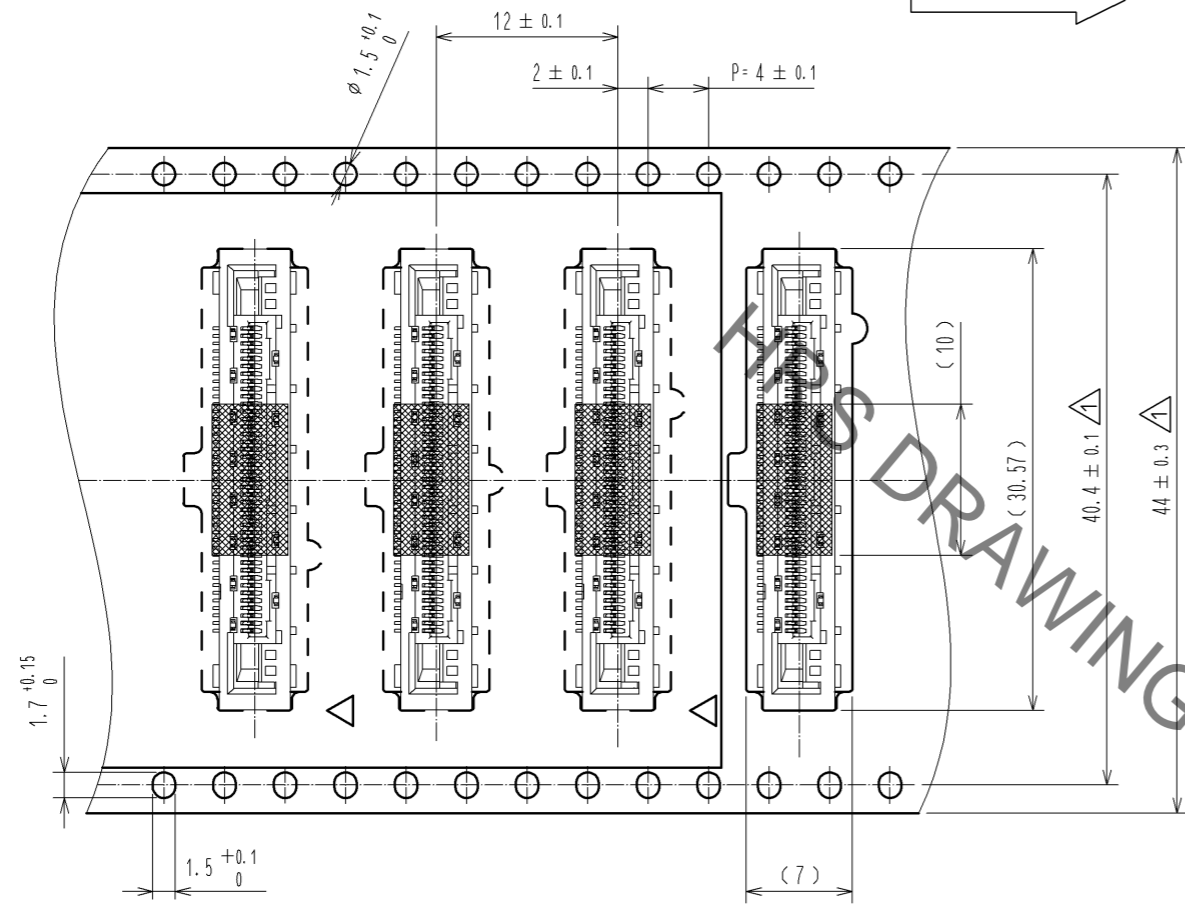
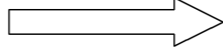
3	PHOSPHOR BRONZE	CONTACT AREA: GOLD 0.1 μm min. LEAD AREA: GOLD 0.03 μm min. UNDER PLATING: NICKEL 1 μm min.	6 5 4	PI PE PS	TAPE FOR VACUUM PICK UP COVER TAPE EMBOSSED CARRIER TAPE
1	PA	BLACK, UL94V-0	2	BRASS	OVER PLATING: TIN PLATING 1 μm min. UNDER PLATING: NICKEL 2 μm min.
NO.	MATERIAL	FINISH, REMARKS	NO.	MATERIAL	FINISH, REMARKS
UNITS mm		SCALE 4 : 1	COUNT 2	DESCRIPTION OF REVISIONS DIS-F-005350	
DESIGNED KN. SHIBUYA		CHECKED HT. YAMAGUCHI		DATE 11.03.08	
APPROVED : HS. OKAWA 10.03.09		DRAWING NO. EDC3-330389-00			
CHECKED : HT. YAMAGUCHI 10.03.09		PART NO. FX16M2-41S-0.5SV			
DESIGNED : TP. MATSUMOTO 10.03.08		CODE NO. CL575-3002-6-00			
DRAWN : TP. MATSUMOTO 10.03.08					

Sep.1.2021 Copyright 2021 HIROSE ELECTRIC CO., LTD. All Rights Reserved.
 In case of consideration for using Automotive equipment / device which demand high reliability, kindly contact our sales window correspondents.

DRAWING FOR PACKING (2:1)

REELED DIMENSION (FREE)

THE DIRECITON OF PULLING OUT



HRS	DRAWING NO.	EDC3-330389-00	2/2
	PART NO.	FX16M2-41S-0.5SV	
	CODE NO.	CL575-3002-6-00	

X-ON Electronics

Largest Supplier of Electrical and Electronic Components

Click to view similar products for [FFC & FPC Connectors](#) category:

Click to view products by [Hirose](#) manufacturer:

Other Similar products are found below :

[K-FC20](#) [FH29B-80S-0.2SHW\(99\)](#) [FPH-2022G](#) [AYF332735](#) [52610-1075](#) [52610-1275](#) [52610-1934](#) [501864-3091-TR225](#) [086222026001800](#)
[52610-0675](#) [62684-36210E9ALF](#) [52746-1671-TR250](#) [10051922-2810EHLF](#) [6-520415-9](#) [SFV6R-1STE9HLF](#) [XF3M-2915-1B-R100](#)
[1658549-1](#) [46214008010800](#) [AYF534065TA](#) [AYF351525](#) [086212040340800+](#) [AYF530365TA](#) [67000-014LF](#) [67000-004LF](#)
[006207341915000+](#) [DS1020-19RT1D](#) [67000-003LF](#) [67000-011LF](#) [67000-016LF](#) [HFW14R-2STE9LF](#) [SFV32R-2STBE9HLF](#) [SFW12R-](#)
[5STE9LF](#) [SFW18R-1STAE9LF](#) [SFW4R-5STE9LF](#) [52807-0430](#) [046283021002868+](#) [THD1015-8CL-SN](#) [67000-006LF](#) [502250-8027](#)
[104267-9617](#) [66987-011LF](#) [AYF362535](#) [F0501-T-50-20T-R](#) [HFW8S-2STAE1HLF](#) [67000-008LF](#) [67000-012LF](#) [ECC576069EU](#) [F1002-B-](#)
[20-20T-R](#) [HFW15S-2STAE1HLF](#) [0781271110](#)