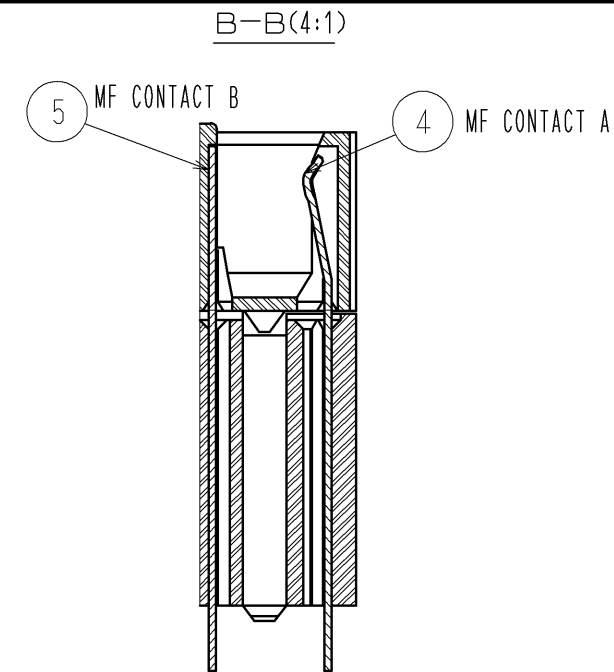
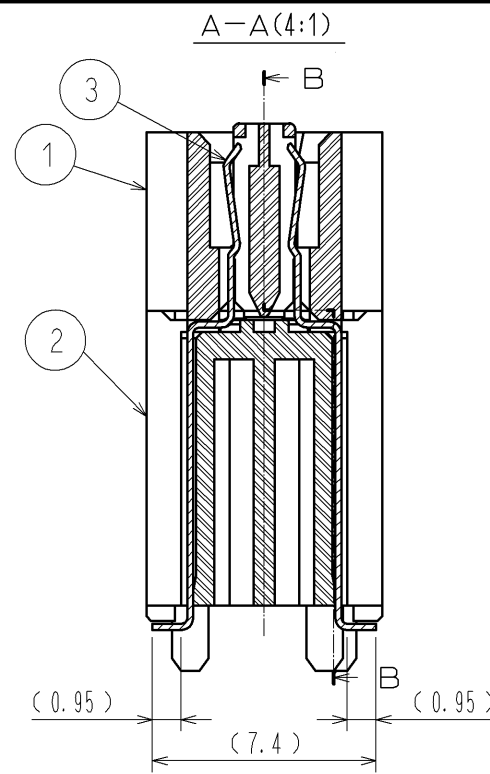
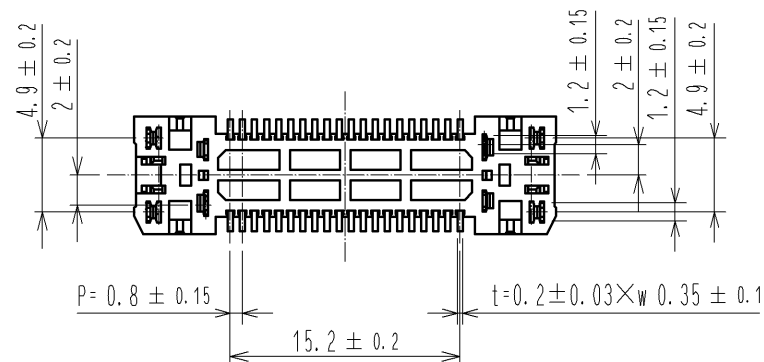
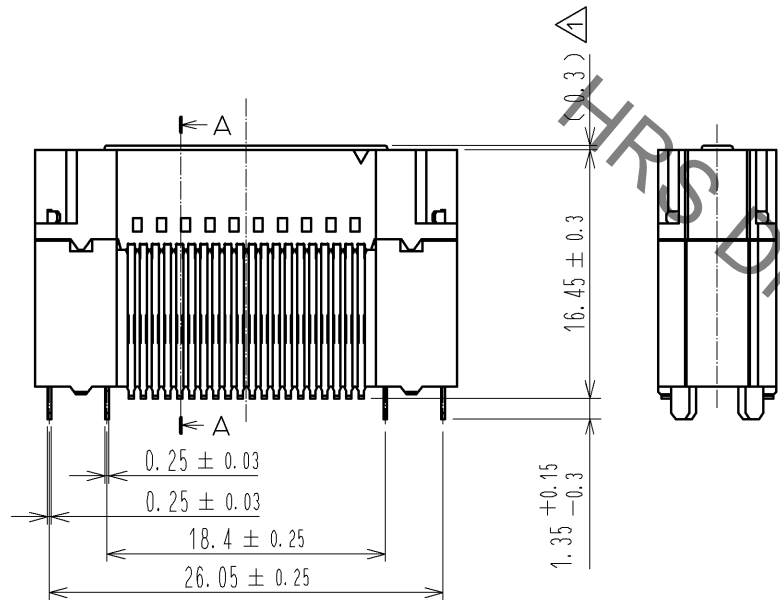
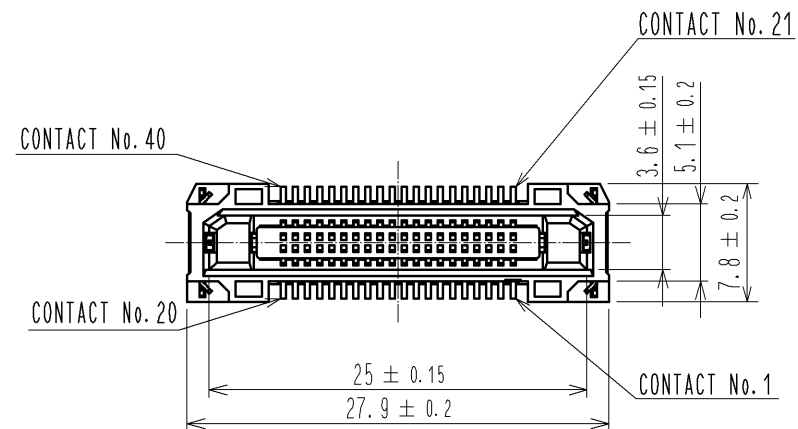
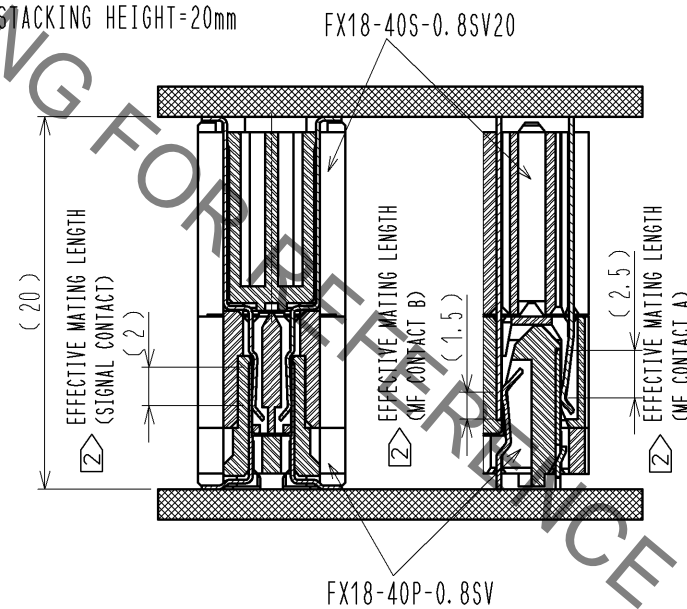


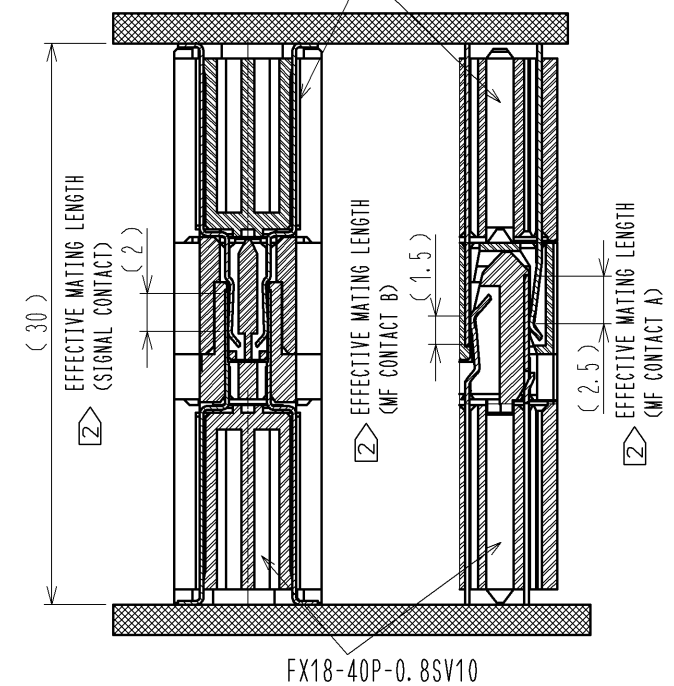
Sep.1.2021 Copyright 2021 HIROSE ELECTRIC CO., LTD. All Rights Reserved.  
In case of consideration for using Automotive equipment / device which demand high reliability, kindly contact our sales window correspondents.



CROSS SECTION OF MATING(FREE)  
STACKING HEIGHT=20mm



CROSS SECTION OF MATING(FREE)  
STACKING HEIGHT=30mm



NOTE 1 LEAD CO-PLANARITY IS 0.1mm MAX.

② CONTACTS ARE 3 STEPS SEQUENTIAL. (MF CONTACT A=>SIGNAL CONTACT=>MF CONTACT B)  
WHEN USING THIS SEQUENTIAL STRUCTURE, PLEASE AVOID ANGLED INSERTION.

③ MF CONTACT A AND MF CONTACT B CAN BE USED AS POWER SUPPLY CONTACT. (3A/PIN MAX)

④ IT SHOWS THE VACUUM PICKUP AREA. (SEE PAGE 2)

REMOVE THE MYLAR TAPE BEFORE MATING CONNECTORS.

⑤ THIS IS PACKAGED IN TRAY. (60pcs/TRAY)

⑥ BLEMISH AND HIT MARK CAN BE OCCURED THROUGH OUT THE MANUFACTURING PROCESS WHICH DOESN' T AFFECT QUALITY LEVEL.

⑦ THE DIMENSIONS IN PARENTHESES ARE FOR REFERENCES.

NO.	MATERIAL	FINISH	REMARKS	NO.	MATERIAL	FINISH	REMARKS
3	PHOSPHOR BRONZE	CONTACT AREA:GOLD 0.1 μm LEAD AREA:GOLD 0.03 μm UNDER PLATING:NICKEL 1.3 μm		5	COPPER ALLOY	CONTACT AREA:GOLD 0.1 μm LEAD AREA:TIN-PLATING 1 μm UNDER PLATING:NICKEL 1.3 μm	
2	POLYAMIDE	BLACK UL94V-0		4	COPPER ALLOY	CONTACT AREA:GOLD 0.1 μm LEAD AREA:TIN-PLATING 1 μm UNDER PLATING:NICKEL 1.3 μm	
1	POLYAMIDE	BLACK UL94V-0					

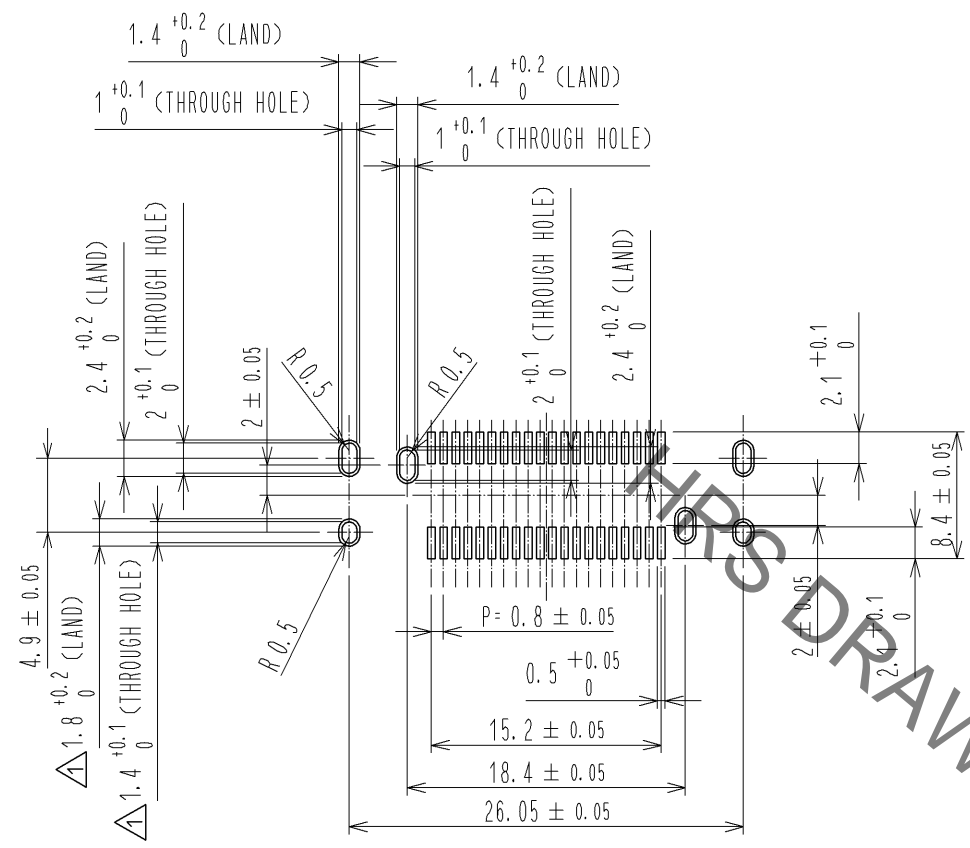
UNITS	SCALE	COUNT	DESCRIPTION OF REVISIONS	DESIGNED	CHECKED	DATE
mm	2 : 1	4	DIS-F-005578	TH. SANO	KI. HIROKAWA	11.07.21

APPROVED	DATE	DRAWING NO.
HS. OKAWA	11.03.18	EDC3-334390-00
KI. HIROKAWA	11.03.18	PART NO.
TH. SANO	11.03.18	FX18-40S-0.8SV20
TH. SANO	11.03.18	CODE NO.
		CL579-0030-0-00

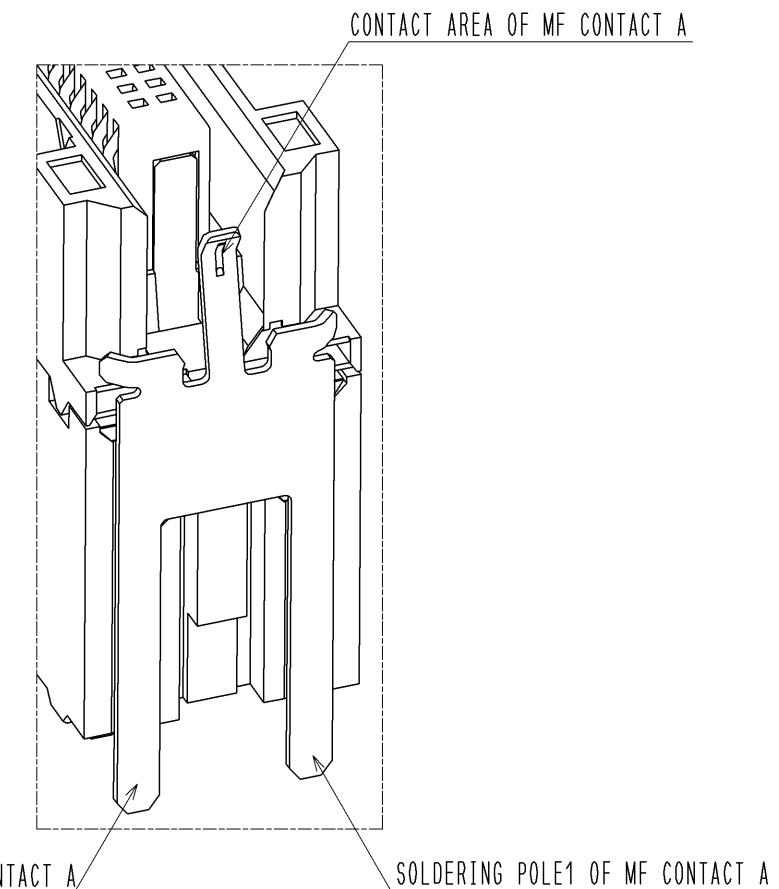
Sep.1.2021 Copyright 2021 HIROSE ELECTRIC CO., LTD. All Rights Reserved.  
In case of consideration for using Automotive equipment / device which demand high reliability, kindly contact our sales window correspondents.

RECOMMENDED LAND PATTERN DIMENSION OF PCB(2:1)  
(PCB THICKNESS:t=1.6mm METAL MASK THICKNESS:t=0.12mm)

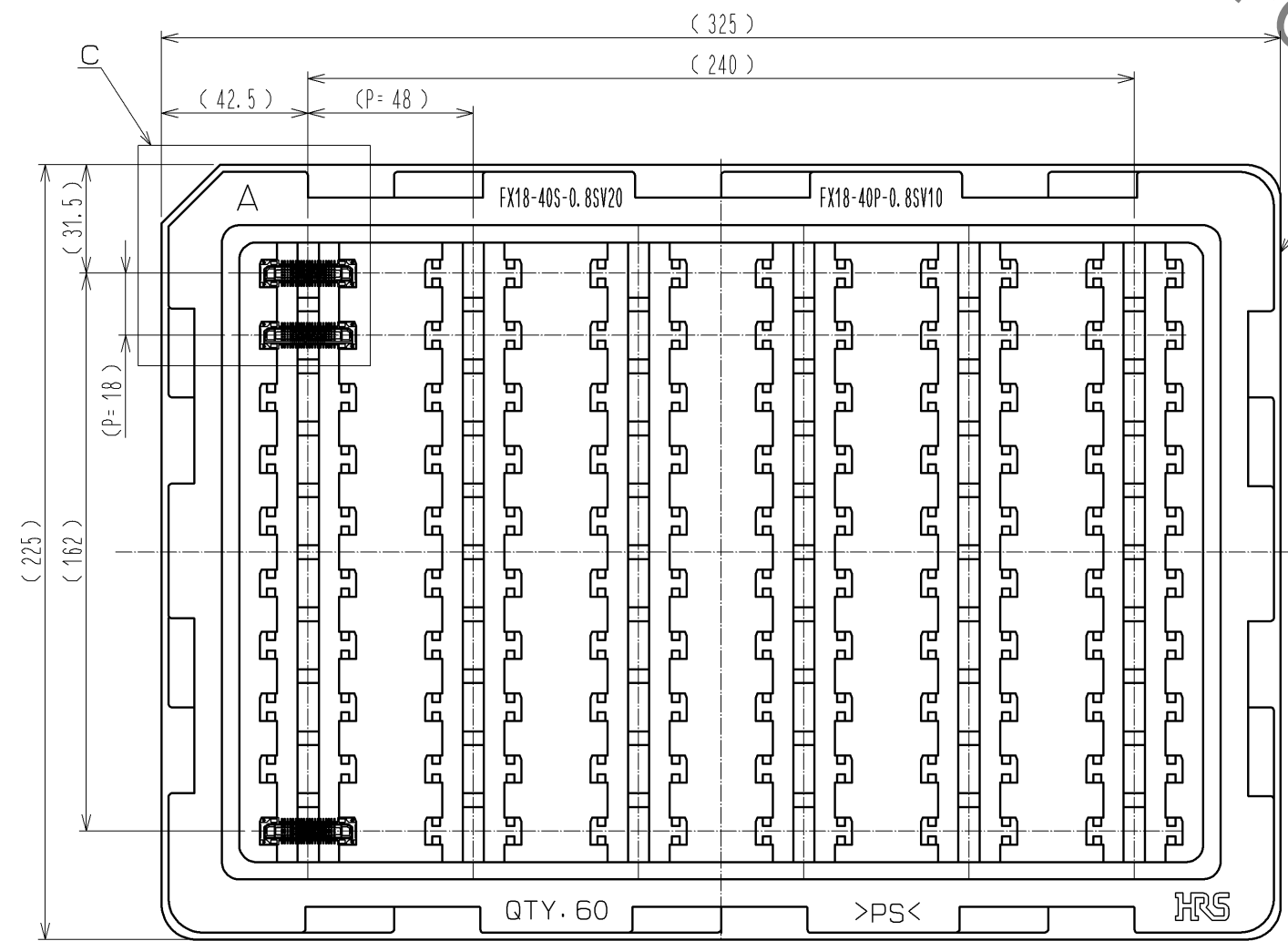


5 DRAWING FOR PACKING(1:2)

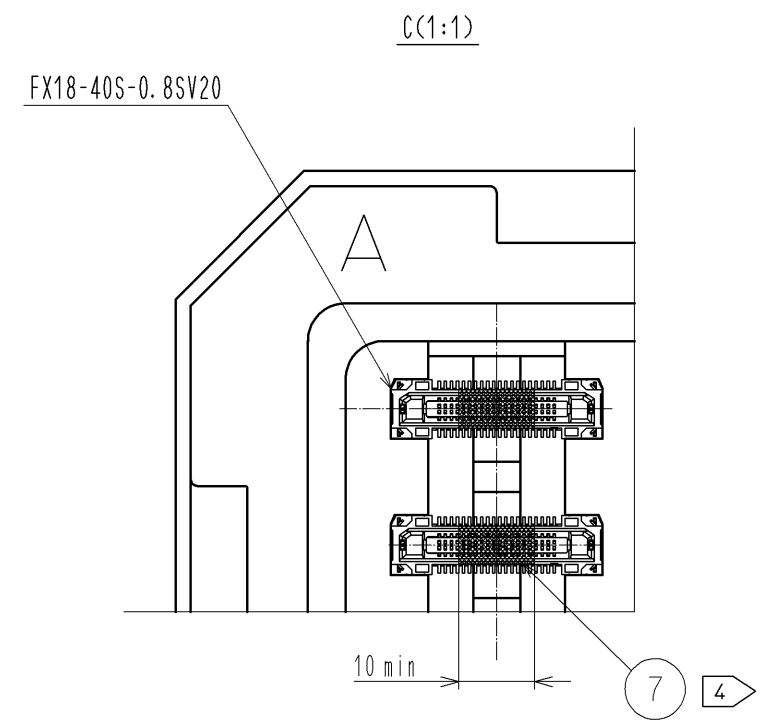
8 CONFIGURATION OF MF CONTACT A



NOTE 8 SOLDERING LEAD OF MF CONTACT A SPLITS INTO TWO POLES. BE SURE TO CONNECT TO THE SAME CIRCUIT.



DRAWING FOR REFERENCE



<b>HRS</b>	DRAWING NO.	EDC3-334390-00	2/2
	PART NO.	FX18-40S-0.8SV20	
	CODE NO.	CL579-0030-0-00	

## X-ON Electronics

Largest Supplier of Electrical and Electronic Components

*Click to view similar products for [Board to Board & Mezzanine Connectors](#) category:*

*Click to view products by [Hirose](#) manufacturer:*

Other Similar products are found below :

[589158040000018](#) [MDF7C-18P-2.54DSA\(55\)](#) [FCN-230C068-11](#) [FCN-268F012-G/BD](#) [FCN-268F036-G/BD](#) [FCN-268M012-G/0D](#) [FCN-268M024-G/1D](#) [FCN-723J004/1](#) [MIS-048-01-F-D-DP-K](#) [832-10-034-10-001000](#) [FX4C-80S-1.27DSA](#) [FCN-214Q030-G/0](#) [FCN-234P048-G/0](#) [FCN-235D050-G/C](#) [210-93-314-41-105000](#) [2-22603-0](#) [MDF7-40DP-2.54DSA\(55\)](#) [AXG720047](#) [MIT-114-03-F-D-K](#) [55323-1519](#) [DF33-2P-3.3DSA\(24\)](#) [YFT-20-05-H-03-SB-K](#) [503308-3040](#) [026-6203-PDB](#) [027-6203-PDB](#) [069159702701000](#) [10123981-102LF](#) [101A10019X](#) [55650-0588-C](#) [68682-310LF](#) [68684-306](#) [75140-7012](#) [87471-650](#) [YTW-30-07-H-Q-410-140](#) [FCN-268F024-G0D](#) [10124054-515LF](#) [68685-603](#) [8-1616154-3](#) [MIS-019-01-F-D](#) [FCN-268M024-G/3D](#) [FCN-268M036-G/BD](#) [20021832-06016C1LF](#) [KX15-20KLDL-E1000E](#) [AXE810124](#) [FCN-214J100-G/0](#) [FCN-230C068-E/S](#) [AXE812124](#) [AXE816124](#) [AXE720127](#) [354184](#)