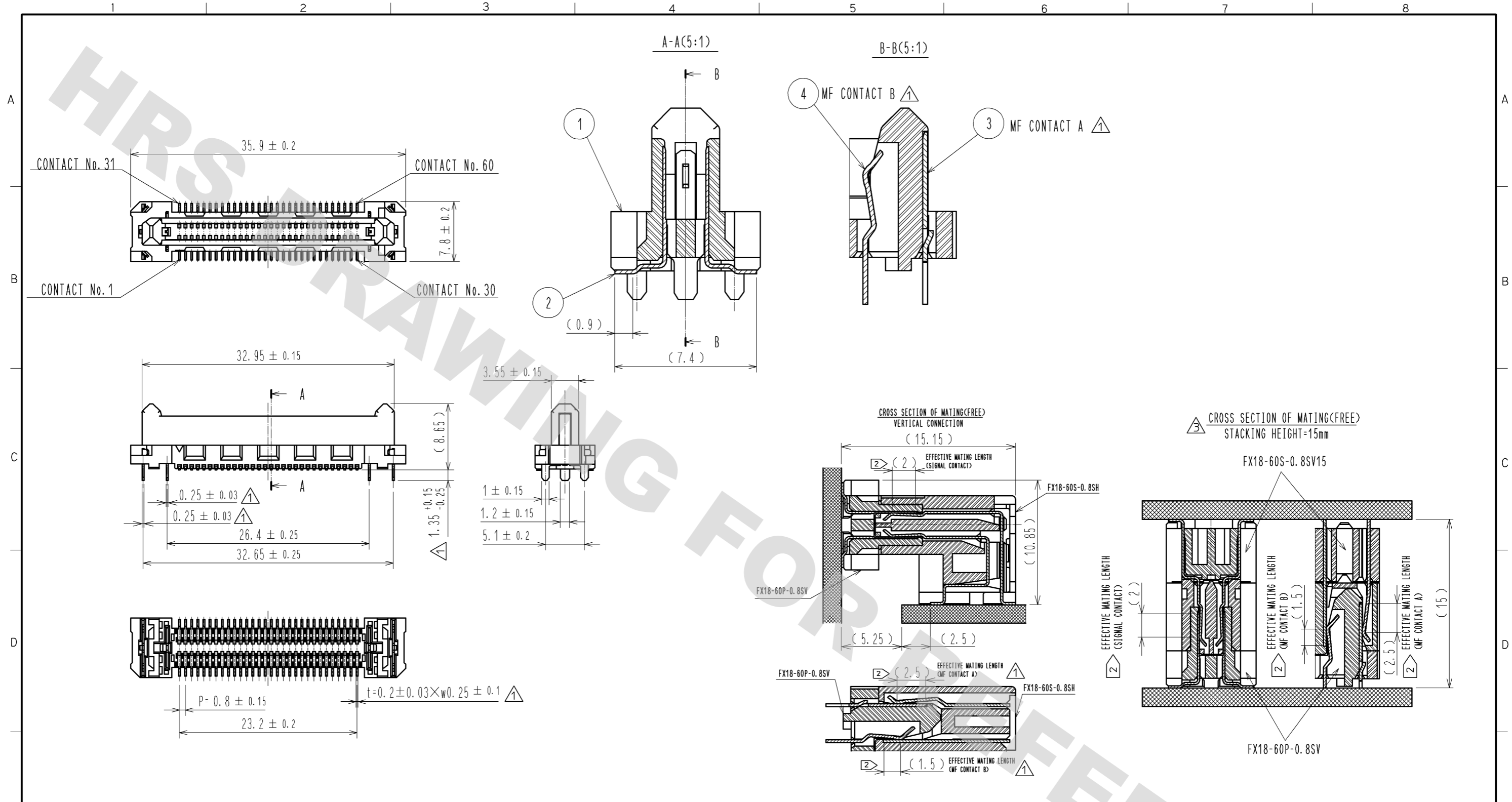


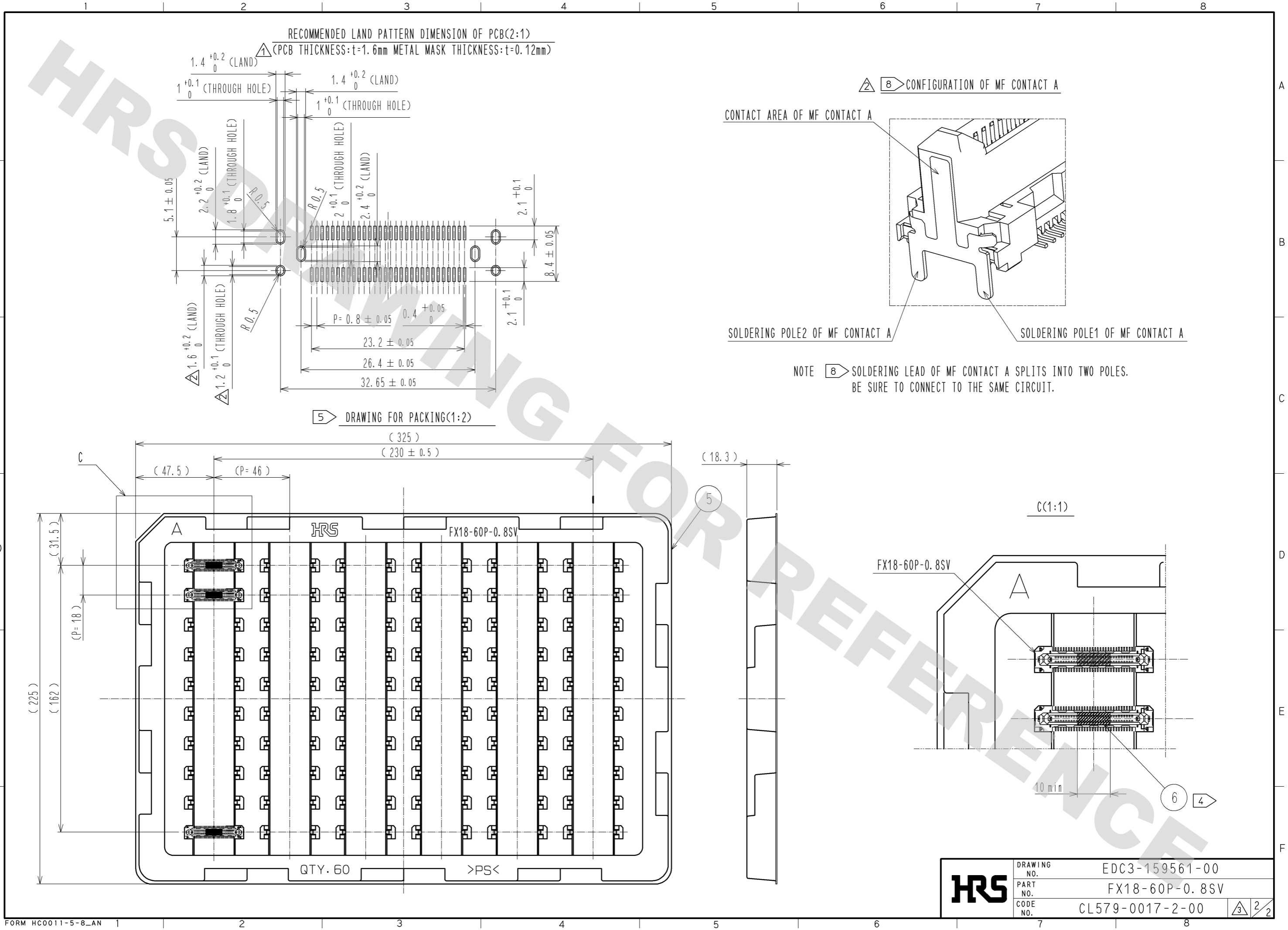
DRAWING FOR REFERENCE: This is subject to change without notice
08/11/2012



NOTE 1 LEAD CO-PLANARITY IS 0.1mm MAX.
 ② CONTACTS ARE 3 STEPS SEQUENTIAL. (MF CONTACT A=>SIGNAL CONTACT=>MF CONTACT B)
 WHEN USING THIS SEQUENTIAL STRUCTURE, PLEASE AVOID ANGLED INSERTION.
 ③ MF CONTACT A AND MF CONTACT B CAN BE USED AS POWER SUPPLY CONTACT. (3A/PIN MAX)
 ④ IT SHOWS THE VACUUM PICKUP AREA. (SEE PAGE 2)
 REMOVE THE MYLAR TAPE BEFORE MATING CONNECTORS.
 ⑤ THIS IS PACKAGED IN TRAY. (60pcs/TRAY)
 6 BLEMISH AND HIT MARK CAN BE OCCURED THROUGH OUT THE MANUFACTURING PROCESS WHICH DOESN' T AFFECT QUALITY LEVEL.
 7 THE DIMENSIONS IN PARENTHESES ARE FOR REFERENCES.

3	PHOSPHOR BRONZE	CONTACT AREA:GOLD 0.1 μm	6	POLYIMIDE			
		LEAD AREA:TIN-PLATING 1 μm					
2	PHOSPHOR BRONZE	UNDER PLATING:NICKEL 1.3 μm ①	5	POLYSTYRENE			
		CONTACT AREA:GOLD 0.1 μm					
1	POLYAMIDE	LEAD AREA:GOLD 0.03 μm	4	PHOSPHOR BRONZE	CONTACT AREA:GOLD 0.1 μm		
		UNDER PLATING:NICKEL 1.3 μm ①			LEAD AREA:TIN-PLATING 1 μm		
NO.	MATERIAL	FINISH . REMARKS	NO.	MATERIAL	FINISH . REMARKS		
UNITS mm	①	SCALE 2 : 1	COUNT 1	DESCRIPTION OF REVISIONS DIS-F-005993	DESIGNED TH. SANO	CHECKED KI. HIROKAWA	DATE 12. 01. 27
APPROVED : HS. OKAWA		09. 04. 24	DRAWING NO. EDC3-159561-00				
CHECED : HS. OZAWA		09. 04. 24	PART NO. FX18-60P-0. 8SV				
DESIGNED : KI. HIROKAWA		09. 04. 24	CODE NO. CL579-0017-2-00				
DRAWN : KI. HIROKAWA		09. 04. 24					

DRAWING FOR REFERENCE: This is subject to change without notice
08/11/2012



HRS	DRAWING NO.	EDC3-159561-00	
	PART NO.	FX18-60P-0.8SV	
	CODE NO.	CL579-0017-2-00	

X-ON Electronics

Largest Supplier of Electrical and Electronic Components

Click to view similar products for [Board to Board & Mezzanine Connectors](#) category:

Click to view products by [Hirose](#) manufacturer:

Other Similar products are found below :

[589158040000018](#) [MDF7C-18P-2.54DSA\(55\)](#) [FCN-230C068-11](#) [FCN-268F012-G/BD](#) [FCN-268F036-G/BD](#) [FCN-268M012-G/0D](#) [FCN-268M024-G/1D](#) [FCN-723J004/1](#) [MIS-048-01-F-D-DP-K](#) [832-10-034-10-001000](#) [FX4C-80S-1.27DSA](#) [FCN-214Q030-G/0](#) [FCN-234P048-G/0](#) [FCN-235D050-G/C](#) [210-93-314-41-105000](#) [2-22603-0](#) [MDF7-40DP-2.54DSA\(55\)](#) [AXG720047](#) [MIT-114-03-F-D-K](#) [55323-1519](#) [DF33-2P-3.3DSA\(24\)](#) [YFT-20-05-H-03-SB-K](#) [503308-3040](#) [026-6203-PDB](#) [027-6203-PDB](#) [069159702701000](#) [10123981-102LF](#) [101A10019X](#) [55650-0588-C](#) [68682-310LF](#) [68684-306](#) [75140-7012](#) [87471-650](#) [YTW-30-07-H-Q-410-140](#) [FCN-268F024-G0D](#) [10124054-515LF](#) [68685-603](#) [8-1616154-3](#) [MIS-019-01-F-D](#) [FCN-268M024-G/3D](#) [FCN-268M036-G/BD](#) [20021832-06016C1LF](#) [KX15-20KLDL-E1000E](#) [AXE810124](#) [FCN-214J100-G/0](#) [FCN-230C068-E/S](#) [AXE812124](#) [AXE816124](#) [AXE720127](#) [354184](#)