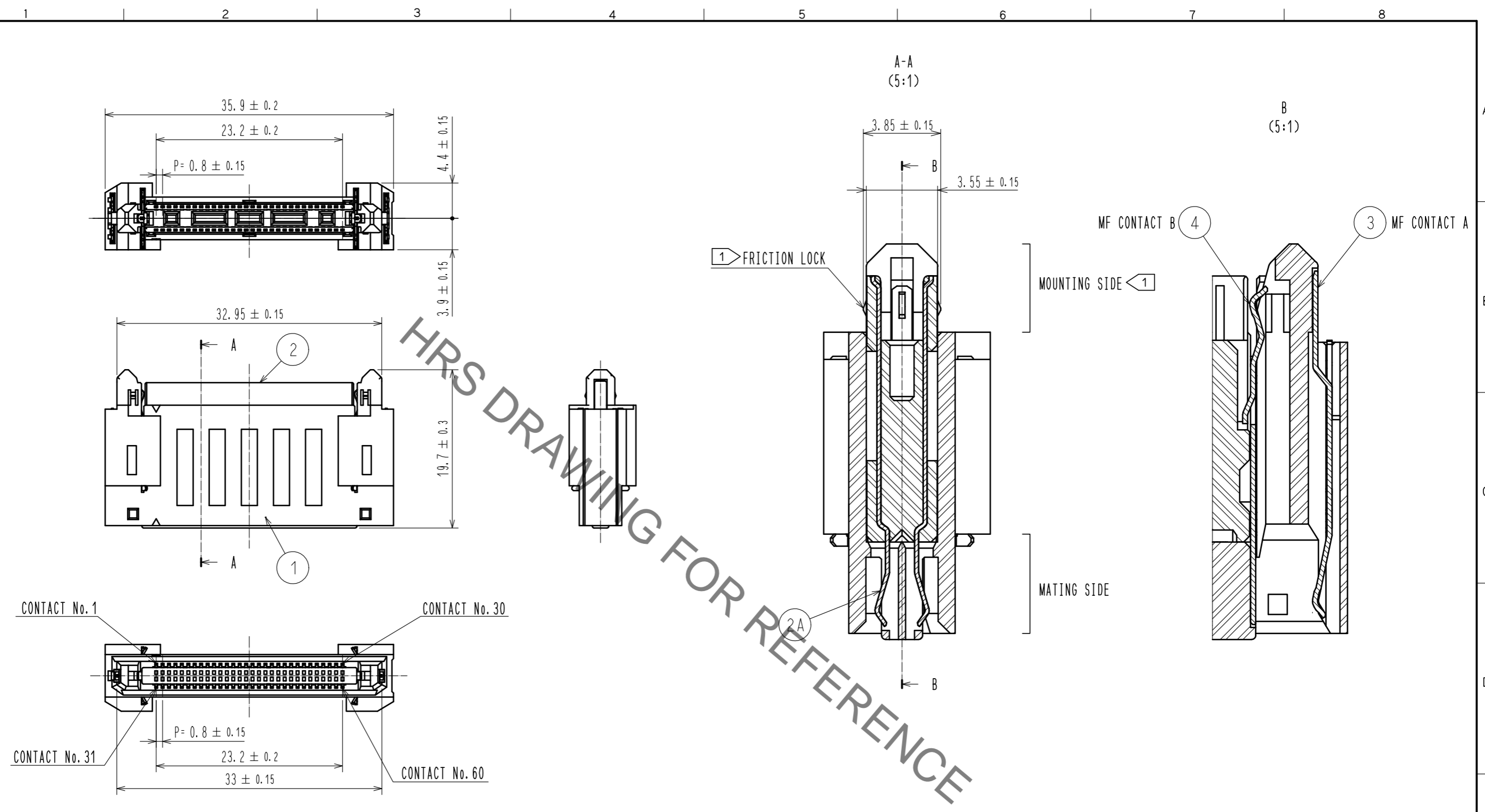


Sep.1.2021 Copyright 2021 HIROSE ELECTRIC CO., LTD. All Rights Reserved.
In case of consideration for using Automotive equipment / device which demand high reliability, kindly contact our sales window correspondents.



HRS DRAWING FOR REFERENCE

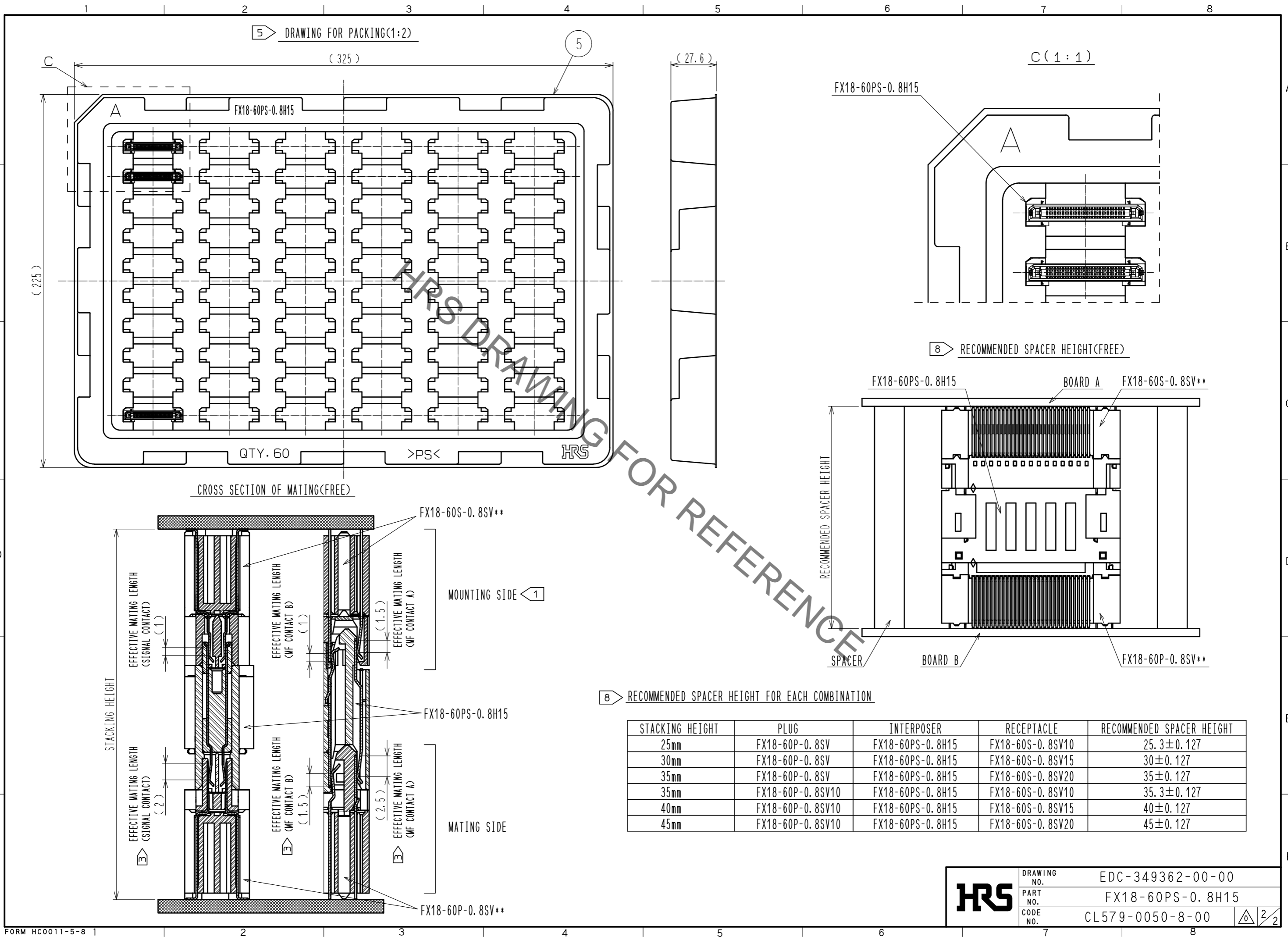
- NOTE
- 1 MOUNTING SIDE IS CONNECTED TO THE RECEPTACLE:FX18-60S-0.8SV** AND STABILIZED WITH FRICTION LOCKS. THE INSERTION/WITHDRAWAL IS ALLOWED UP TO 5 TIMES.
 - 2 ALWAYS CONNECT THE MOUNTING SIDE TO THE RECEPTACLE FIRST AND THEN MATE THE MATING SIDE TO FX18-60P-0.8SV**.
 - 3 THE MATING SIDE HAS SEQUENTIAL CONTACT STRUCTURE AS FOLLOWS.(MF CONTACT A=>SIGNAL CONTACT=>MF CONTACT B) WHEN USING THIS SEQUENTIAL STRUCTURE, PLEASE AVOID ANGLED INSERTION.
 - 4 MF CONTACT A AND MF CONTACT B CAN BE USED AS POWER SUPPLY CONTACT. (3A/PIN MAX)
 - 5 THIS IS PACKAGED IN TRAY.(60pcs/TRAY)
 - 6 BLEMISH AND HIT MARK CAN BE OCCURED THROUGH OUT THE MANUFACTURING PROCESS WHICH DOESN' T AFFECT QUALITY LEVEL.
 - 7 THE DIMENSIONS IN PARENTHESES ARE FOR REFERENCES.
 - 8 RECOMMENDED SPACER HEIGHT FOR EACH COMBINATION. SPACERS ARE REQUIRED TO PROTECT THE SOLDER JOINTS FROM EXCESSIVE STRESS.

NO.	MATERIAL	FINISH	REMARKS	NO.	MATERIAL	FINISH	REMARKS
2A	COPPER ALLOY		CONTACT AREA:GOLD 0.1μm UNDER PLATING:NICKEL 1.3μm	5	POLYSTYRENE		
2	PBT		BLACK UL94V-0	4	COPPER ALLOY		CONTACT AREA:GOLD 0.1μm UNDER PLATING:NICKEL 1.3μm
1	POLYAMIDE		BLACK UL94V-0	3	COPPER ALLOY		CONTACT AREA:GOLD 0.1μm UNDER PLATING:NICKEL 1.3μm

UNITS	SCALE	COUNT	DESCRIPTION OF REVISIONS	DESIGNED	CHECKED	DATE
mm	2:1	△	APPROVED :HS. OKAWA 15.06.30 CHECKED :HT. YAMAGUCHI 15.06.30 DESIGNED :TH. SANO 15.06.30 DRAWN :TH. SANO 15.06.30			

DRAWING NO.	PART NO.	CODE NO.
EDC-349362-00-00	FX18-60PS-0.8H15	CL579-0050-8-00

Sep.1.2021 Copyright 2021 HIROSE ELECTRIC CO., LTD. All Rights Reserved.
In case of consideration for using Automotive equipment / device which demand high reliability, kindly contact our sales window correspondents.



5 DRAWING FOR PACKING(1:2)

C(1:1)

8 RECOMMENDED SPACER HEIGHT(FREE)

8 RECOMMENDED SPACER HEIGHT FOR EACH COMBINATION

STACKING HEIGHT	PLUG	INTERPOSER	RECEPTACLE	RECOMMENDED SPACER HEIGHT
25mm	FX18-60P-0.8SV	FX18-60PS-0.8H15	FX18-60S-0.8SV10	25.3±0.127
30mm	FX18-60P-0.8SV	FX18-60PS-0.8H15	FX18-60S-0.8SV15	30±0.127
35mm	FX18-60P-0.8SV	FX18-60PS-0.8H15	FX18-60S-0.8SV20	35±0.127
35mm	FX18-60P-0.8SV10	FX18-60PS-0.8H15	FX18-60S-0.8SV10	35.3±0.127
40mm	FX18-60P-0.8SV10	FX18-60PS-0.8H15	FX18-60S-0.8SV15	40±0.127
45mm	FX18-60P-0.8SV10	FX18-60PS-0.8H15	FX18-60S-0.8SV20	45±0.127

HRS	DRAWING NO.	EDC-349362-00-00
	PART NO.	FX18-60PS-0.8H15
	CODE NO.	CL579-0050-8-00
		2/2

X-ON Electronics

Largest Supplier of Electrical and Electronic Components

Click to view similar products for [Board to Board & Mezzanine Connectors](#) category:

Click to view products by [Hirose](#) manufacturer:

Other Similar products are found below :

[589158040000018](#) [MDF7C-18P-2.54DSA\(55\)](#) [FCN-230C068-11](#) [FCN-268F012-G/BD](#) [FCN-268F036-G/BD](#) [FCN-268M012-G/0D](#) [FCN-268M024-G/1D](#) [FCN-723J004/1](#) [MIS-048-01-F-D-DP-K](#) [832-10-034-10-001000](#) [FX4C-80S-1.27DSA](#) [FCN-214Q030-G/0](#) [FCN-234P048-G/0](#) [FCN-235D050-G/C](#) [210-93-314-41-105000](#) [2-22603-0](#) [MDF7-40DP-2.54DSA\(55\)](#) [AXG720047](#) [MIT-114-03-F-D-K](#) [55323-1519](#) [DF33-2P-3.3DSA\(24\)](#) [YFT-20-05-H-03-SB-K](#) [503308-3040](#) [026-6203-PDB](#) [027-6203-PDB](#) [069159702701000](#) [10123981-102LF](#) [101A10019X](#) [55650-0588-C](#) [68682-310LF](#) [68684-306](#) [75140-7012](#) [87471-650](#) [YTW-30-07-H-Q-410-140](#) [FCN-268F024-G0D](#) [10124054-515LF](#) [68685-603](#) [8-1616154-3](#) [MIS-019-01-F-D](#) [FCN-268M024-G/3D](#) [FCN-268M036-G/BD](#) [20021832-06016C1LF](#) [KX15-20KLDL-E1000E](#) [AXE810124](#) [FCN-214J100-G/0](#) [FCN-230C068-E/S](#) [AXE812124](#) [AXE816124](#) [AXE720127](#) [354184](#)