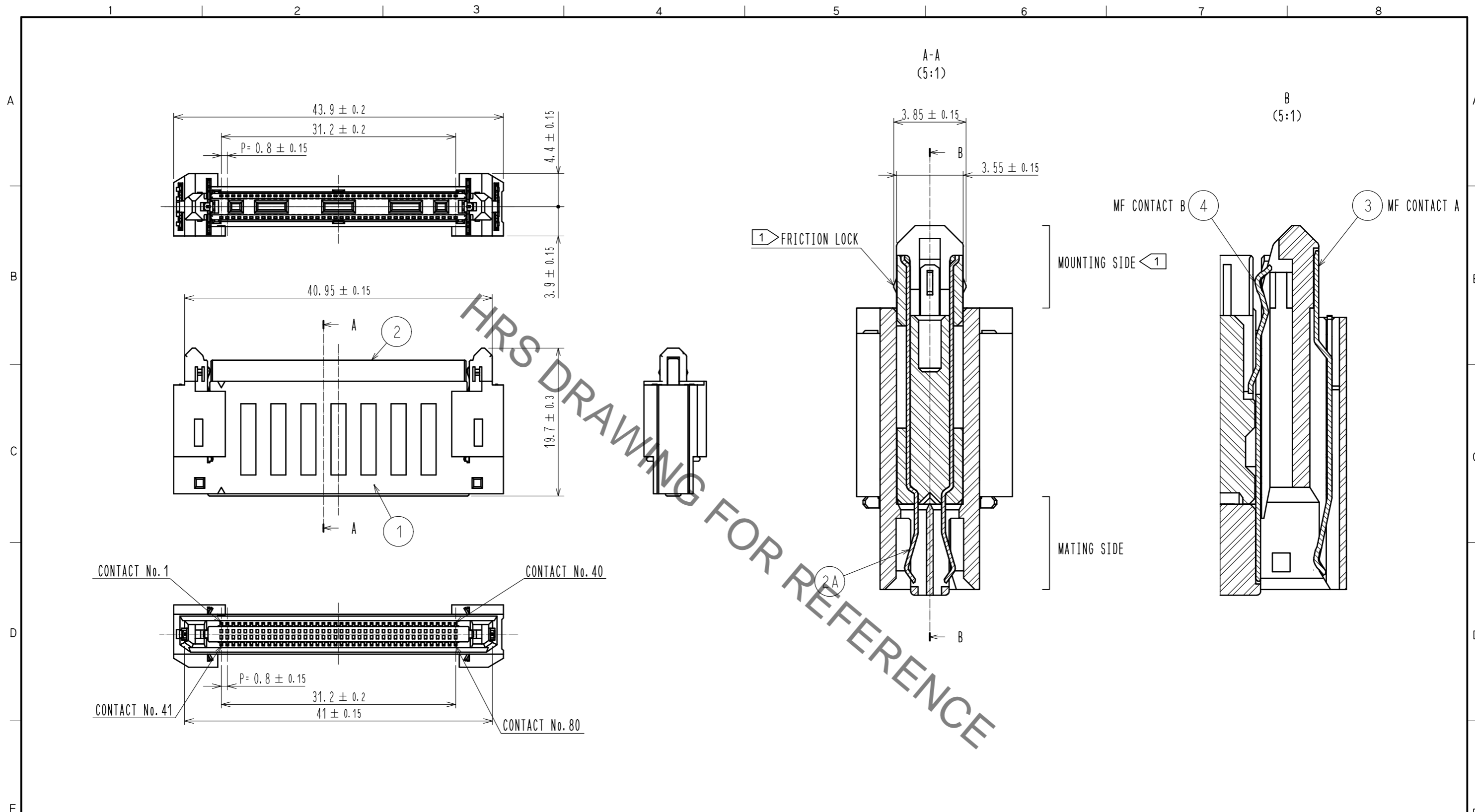


Sep.1.2021 Copyright 2021 HIROSE ELECTRIC CO., LTD. All Rights Reserved.  
In case of consideration for using Automotive equipment / device which demand high reliability, kindly contact our sales window correspondents.



HRS DRAWING FOR REFERENCE

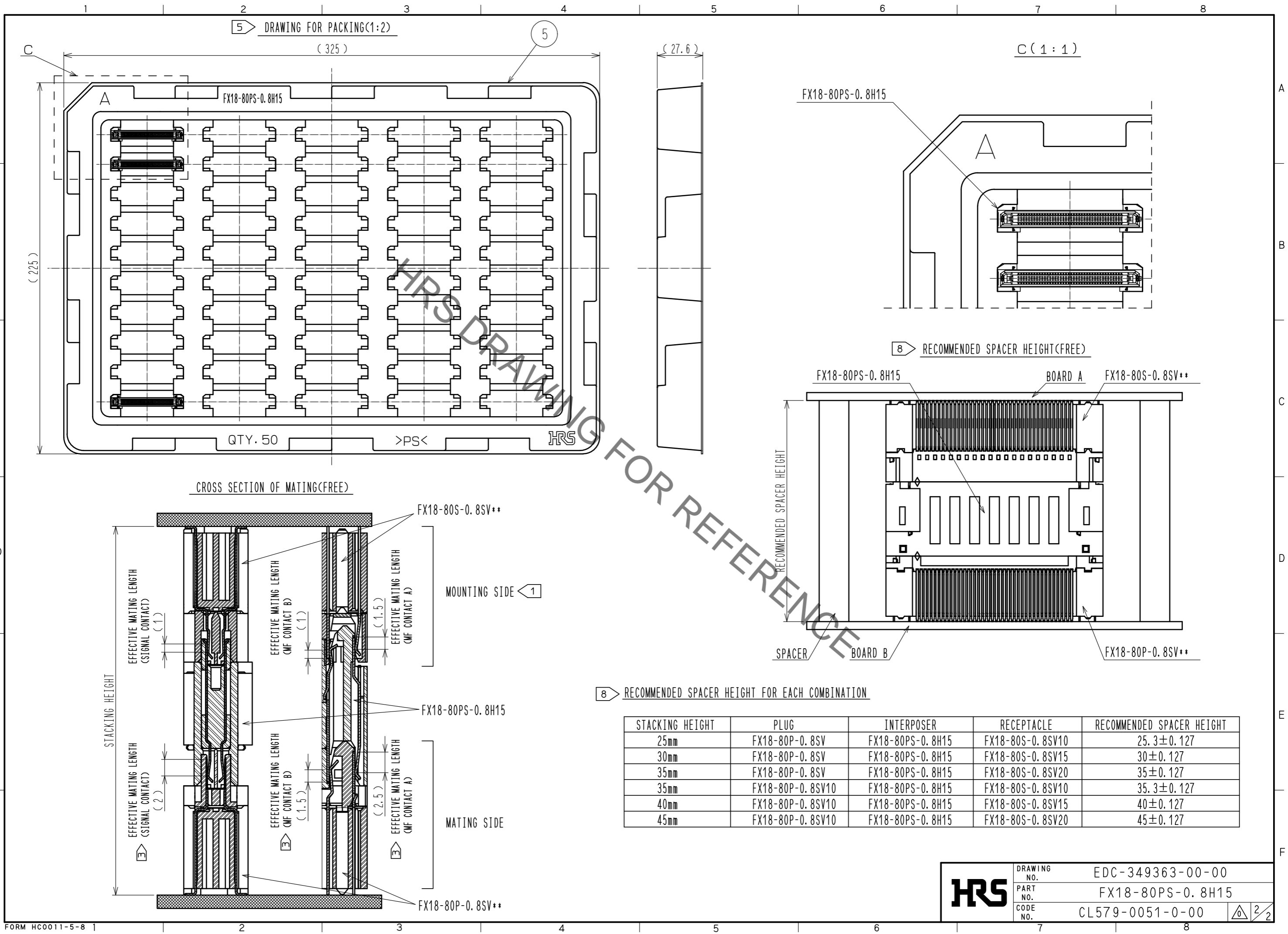
- NOTE
- 1 MOUNTING SIDE IS CONNECTED TO THE RECEPTACLE:FX18-80S-0.8SV\*\* AND STABILIZED WITH FRICTION LOCKS. THE INSERTION/WITHDRAWAL IS ALLOWED UP TO 5 TIMES.
  - 2 ALWAYS CONNECT THE MOUNTING SIDE TO THE RECEPTACLE FIRST AND THEN MATE THE MATING SIDE TO FX18-80P-0.8SV\*\*.
  - 3 THE MATING SIDE HAS SEQUENTIAL CONTACT STRUCTURE AS FOLLOWS.(MF CONTACT A=>SIGNAL CONTACT=>MF CONTACT B) WHEN USING THIS SEQUENTIAL STRUCTURE, PLEASE AVOID ANGLED INSERTION.
  - 4 MF CONTACT A AND MF CONTACT B CAN BE USED AS POWER SUPPLY CONTACT. (3A/PIN MAX)
  - 5 THIS IS PACKAGED IN TRAY.(50pcs/TRAY)
  - 6 BLEMISH AND HIT MARK CAN BE OCCURED THROUGH OUT THE MANUFACTURING PROCESS WHICH DOESN' T AFFECT QUALITY LEVEL.
  - 7 THE DIMENSIONS IN PARENTHESES ARE FOR REFERENCES.
  - 8 RECOMMENDED SPACER HEIGHT FOR EACH COMBINATION. SPACERS ARE REQUIRED TO PROTECT THE SOLDER JOINTS FROM EXCESSIVE STRESS.

NO.	MATERIAL	FINISH .	REMARKS	NO.	MATERIAL	FINISH .	REMARKS
2A	COPPER ALLOY		CONTACT AREA:GOLD 0.1μm UNDER PLATING:NICKEL 1.3μm	5	POLYSTYRENE		
2	PBT	BLACK	UL94V-0	4	COPPER ALLOY		CONTACT AREA:GOLD 0.1μm UNDER PLATING:NICKEL 1.3μm
1	POLYAMIDE	BLACK	UL94V-0	3	COPPER ALLOY		CONTACT AREA:GOLD 0.1μm UNDER PLATING:NICKEL 1.3μm

UNITS	SCALE	COUNT	DESCRIPTION OF REVISIONS	DESIGNED	CHECKED	DATE
mm	2 : 1	△				
APPROVED : HS. OKAWA			15.04.10	DRAWING NO. EDC-349363-00-00		
CHECKED : HT. YAMAGUCHI			15.04.10	PART NO. FX18-80PS-0.8H15		
DESIGNED : TH. SANO			15.04.09	CODE NO. CL579-0051-0-00		
DRAWN : TH. SANO			15.04.09	1/2		

Sep.1.2021 Copyright 2021 HIROSE ELECTRIC CO., LTD. All Rights Reserved.  
In case of consideration for using Automotive equipment / device which demand high reliability, kindly contact our sales window correspondents.



5 DRAWING FOR PACKING(1:2)

C(1:1)

CROSS SECTION OF MATING(FREE)

8 RECOMMENDED SPACER HEIGHT FOR EACH COMBINATION

STACKING HEIGHT	PLUG	INTERPOSER	RECEPTACLE	RECOMMENDED SPACER HEIGHT
25mm	FX18-80P-0.8SV	FX18-80PS-0.8H15	FX18-80S-0.8SV10	25.3±0.127
30mm	FX18-80P-0.8SV	FX18-80PS-0.8H15	FX18-80S-0.8SV15	30±0.127
35mm	FX18-80P-0.8SV	FX18-80PS-0.8H15	FX18-80S-0.8SV20	35±0.127
35mm	FX18-80P-0.8SV10	FX18-80PS-0.8H15	FX18-80S-0.8SV10	35.3±0.127
40mm	FX18-80P-0.8SV10	FX18-80PS-0.8H15	FX18-80S-0.8SV15	40±0.127
45mm	FX18-80P-0.8SV10	FX18-80PS-0.8H15	FX18-80S-0.8SV20	45±0.127

<b>HRS</b>	DRAWING NO.	EDC-349363-00-00
	PART NO.	FX18-80PS-0.8H15
	CODE NO.	CL579-0051-0-00
		2/2

## X-ON Electronics

Largest Supplier of Electrical and Electronic Components

*Click to view similar products for [Board to Board & Mezzanine Connectors](#) category:*

*Click to view products by [Hirose](#) manufacturer:*

Other Similar products are found below :

[589158040000018](#) [MDF7C-18P-2.54DSA\(55\)](#) [FCN-230C068-11](#) [FCN-268F012-G/BD](#) [FCN-268F036-G/BD](#) [FCN-268M012-G/0D](#) [FCN-268M024-G/1D](#) [FCN-723J004/1](#) [MIS-048-01-F-D-DP-K](#) [832-10-034-10-001000](#) [FX4C-80S-1.27DSA](#) [FCN-214Q030-G/0](#) [FCN-234P048-G/0](#) [FCN-235D050-G/C](#) [210-93-314-41-105000](#) [2-22603-0](#) [MDF7-40DP-2.54DSA\(55\)](#) [AXG720047](#) [MIT-114-03-F-D-K](#) [55323-1519](#) [DF33-2P-3.3DSA\(24\)](#) [YFT-20-05-H-03-SB-K](#) [503308-3040](#) [026-6203-PDB](#) [027-6203-PDB](#) [069159702701000](#) [10123981-102LF](#) [101A10019X](#) [55650-0588-C](#) [68682-310LF](#) [68684-306](#) [75140-7012](#) [87471-650](#) [YTW-30-07-H-Q-410-140](#) [FCN-268F024-G0D](#) [10124054-515LF](#) [68685-603](#) [8-1616154-3](#) [MIS-019-01-F-D](#) [FCN-268M024-G/3D](#) [FCN-268M036-G/BD](#) [20021832-06016C1LF](#) [KX15-20KLDL-E1000E](#) [AXE810124](#) [FCN-214J100-G/0](#) [FCN-230C068-E/S](#) [AXE812124](#) [AXE816124](#) [AXE720127](#) [354184](#)