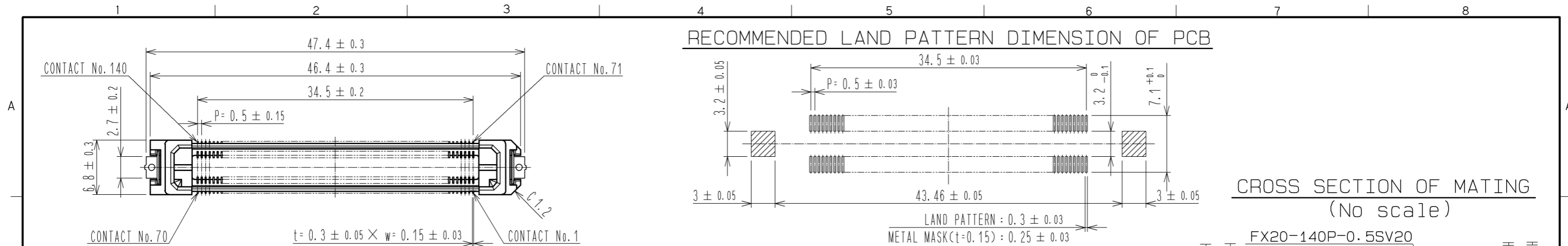


Sep.1.2021 Copyright 2021 HIROSE ELECTRIC CO., LTD. All Rights Reserved.
In case of consideration for using Automotive equipment / device which demand high reliability, kindly contact our sales window correspondents.

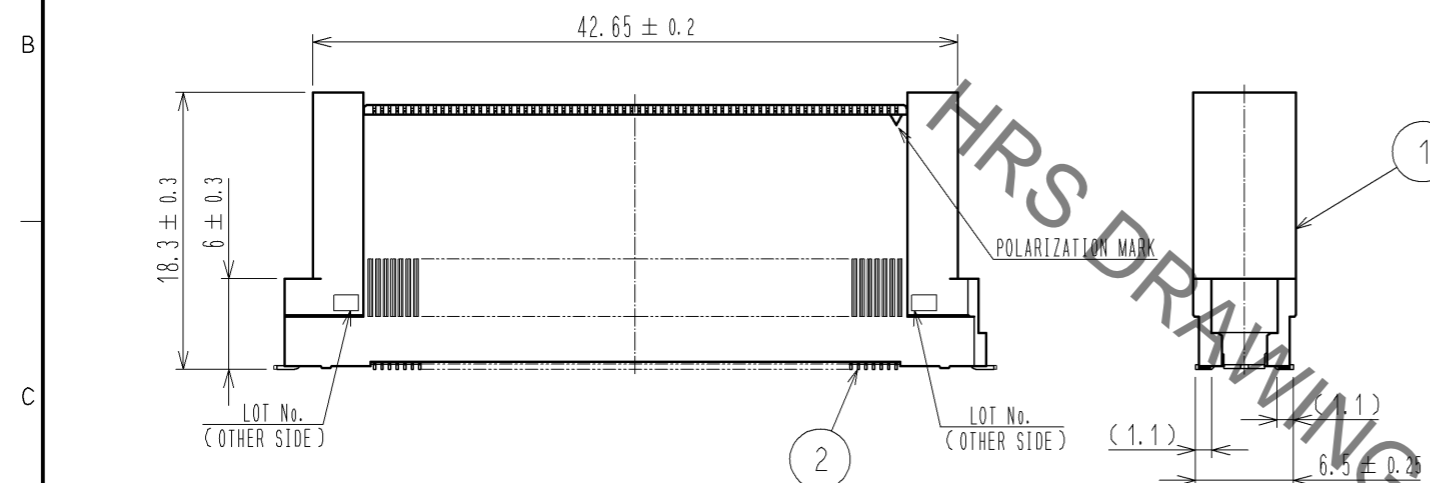
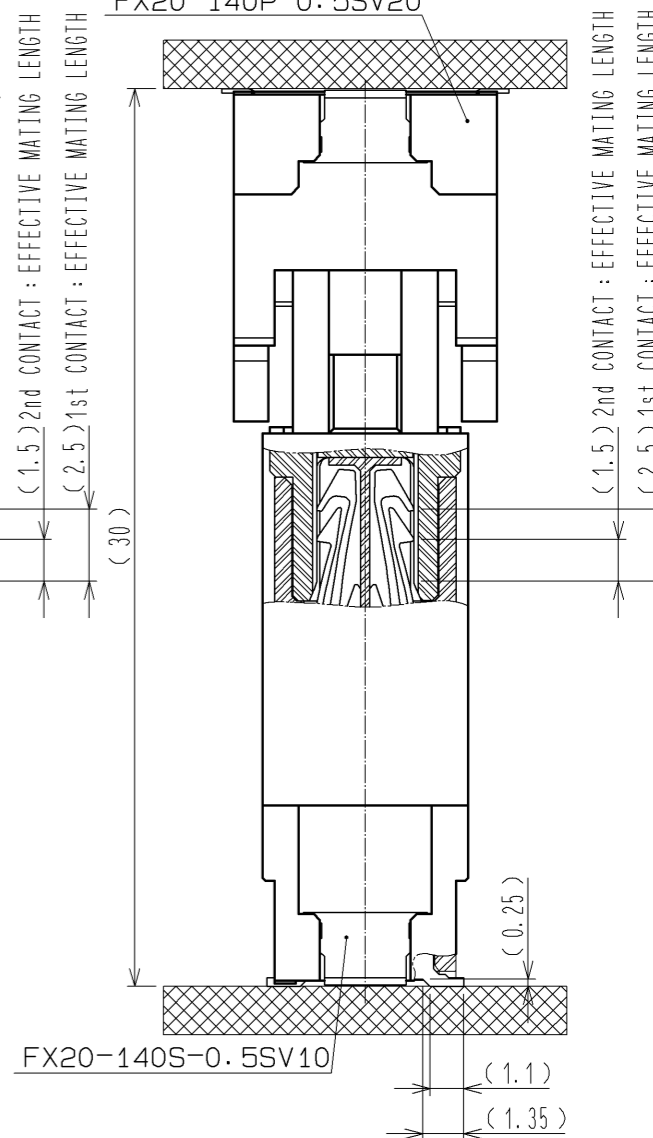
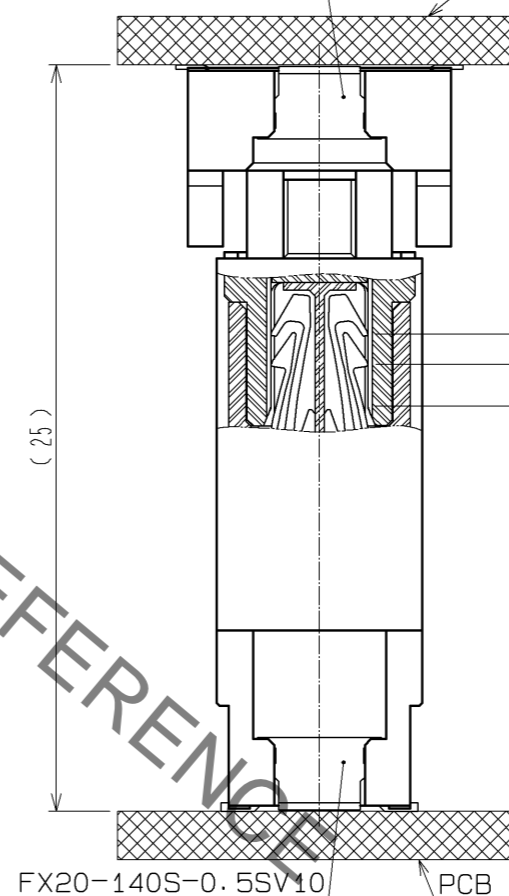
RECOMMENDED LAND PATTERN DIMENSION OF PCB



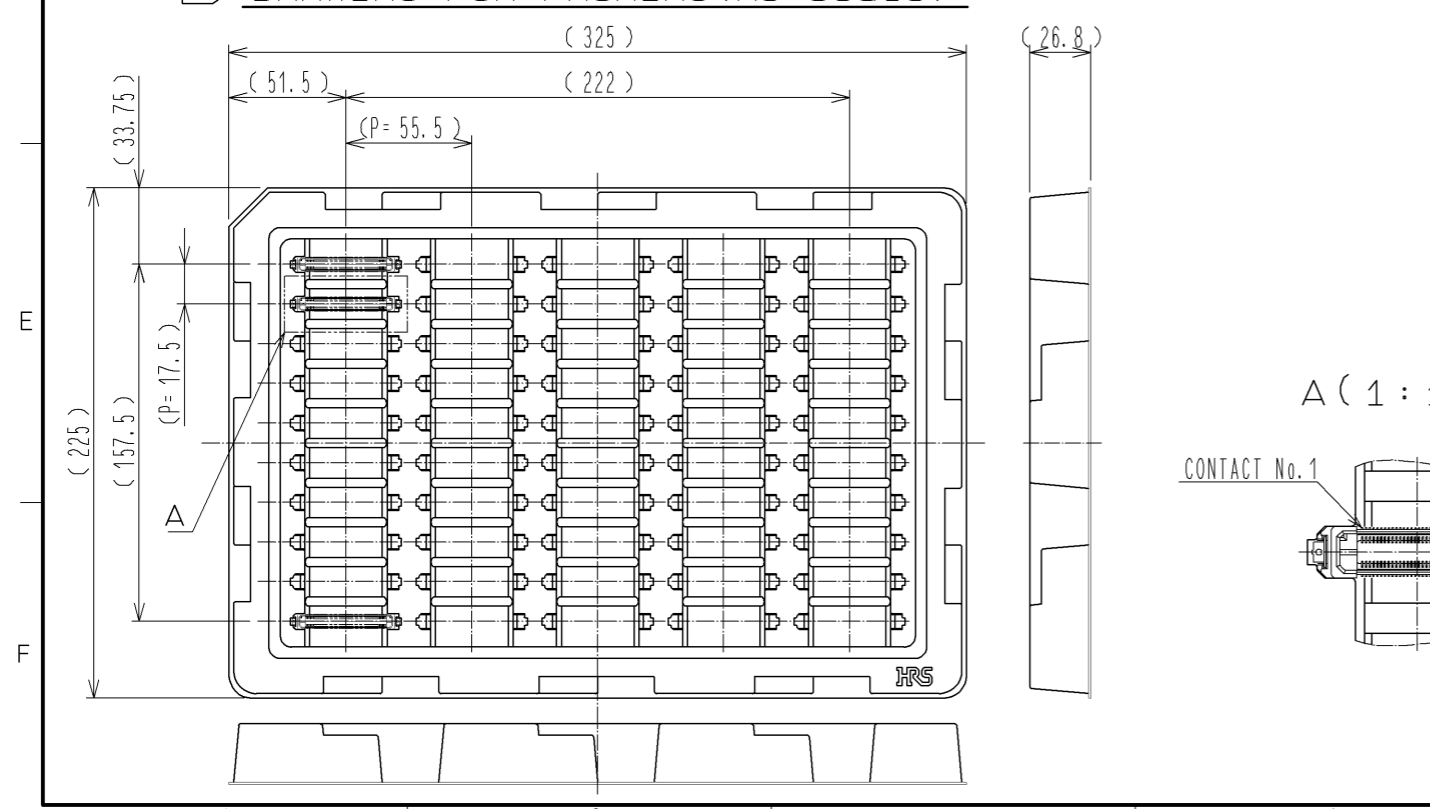
CROSS SECTION OF MATING (No scale)

CROSS SECTION OF MATING (No scale)

FX20-140P-0.5SV15 PCB



2 DRAWING FOR PACKING (No scale)



- NOTE 1 LEAD CO-PLANARITY IS 0.1mm MAX.
 2 THIS IS PACKAGED IN TRAY. (50pcs/TRAY)
 3 BLEMISH AND HIT MARK CAN BE OCCURED THROUGH OUT THE MANUFACTURING PROCESS WHICH DOESN' T AFFECT QUALITY LEVEL.
 4 PLEASE NOTE THAT EXCESSIVE WRENCHING FORCE COULD DAMAGE THIS CONNECTOR. PLEASE REFER TO THE GUIDELINE FOR DETAILED REGULATIONS OF THE MATING METHOD.
 5 THE DIMENSIONS IN PARENTHESSES ARE FOR REFERENCES.

1	LCP	BLACK	UL94V-0	3	BRASS	TIN-PLATING 1 μm		
2				2	PHOSPHOR BRONZE	CONTACT AREA: GOLD 0.1 μm LEAD AREA: GOLD 0.03 μm UNDER PLATING: NICKEL 1 μm		
NO.	MATERIAL	FINISH	REMARKS	NO.	MATERIAL	FINISH	REMARKS	
UNITS	mm	SCALE	2 : 1	COUNT	DESCRIPTION OF REVISIONS	DESIGNED	CHECKED	DATE
		APPROVED	HS. OKAWA	13.05.07	DRAWING NO.	EDC3-336349-00		
		CHECKED	KI. HIROKAWA	13.05.07	PART NO.	FX20-140S-0.5SV10		
		DESIGNED	TS. OONO	13.05.07	CODE NO.	CL570-1112-1-00		
		DRAWN	TS. OONO	13.05.07				

X-ON Electronics

Largest Supplier of Electrical and Electronic Components

Click to view similar products for [Board to Board & Mezzanine Connectors](#) category:

Click to view products by [Hirose](#) manufacturer:

Other Similar products are found below :

[589158040000018](#) [MDF7C-18P-2.54DSA\(55\)](#) [FCN-230C068-11](#) [FCN-268F012-G/BD](#) [FCN-268F036-G/BD](#) [FCN-268M012-G/0D](#) [FCN-268M024-G/1D](#) [FCN-723J004/1](#) [MIS-048-01-F-D-DP-K](#) [832-10-034-10-001000](#) [FX4C-80S-1.27DSA](#) [FCN-214Q030-G/0](#) [FCN-234P048-G/0](#) [FCN-235D050-G/C](#) [210-93-314-41-105000](#) [2-22603-0](#) [MDF7-40DP-2.54DSA\(55\)](#) [AXG720047](#) [MIT-114-03-F-D-K](#) [55323-1519](#) [DF33-2P-3.3DSA\(24\)](#) [YFT-20-05-H-03-SB-K](#) [503308-3040](#) [026-6203-PDB](#) [027-6203-PDB](#) [069159702701000](#) [10123981-102LF](#) [101A10019X](#) [55650-0588-C](#) [68682-310LF](#) [68684-306](#) [75140-7012](#) [87471-650](#) [YTW-30-07-H-Q-410-140](#) [FCN-268F024-G0D](#) [10124054-515LF](#) [68685-603](#) [8-1616154-3](#) [MIS-019-01-F-D](#) [FCN-268M024-G/3D](#) [FCN-268M036-G/BD](#) [20021832-06016C1LF](#) [KX15-20KLDL-E1000E](#) [AXE810124](#) [FCN-214J100-G/0](#) [FCN-230C068-E/S](#) [AXE812124](#) [AXE816124](#) [AXE720127](#) [354184](#)