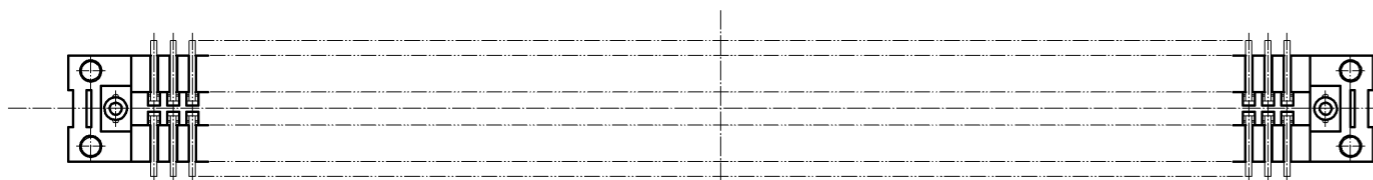
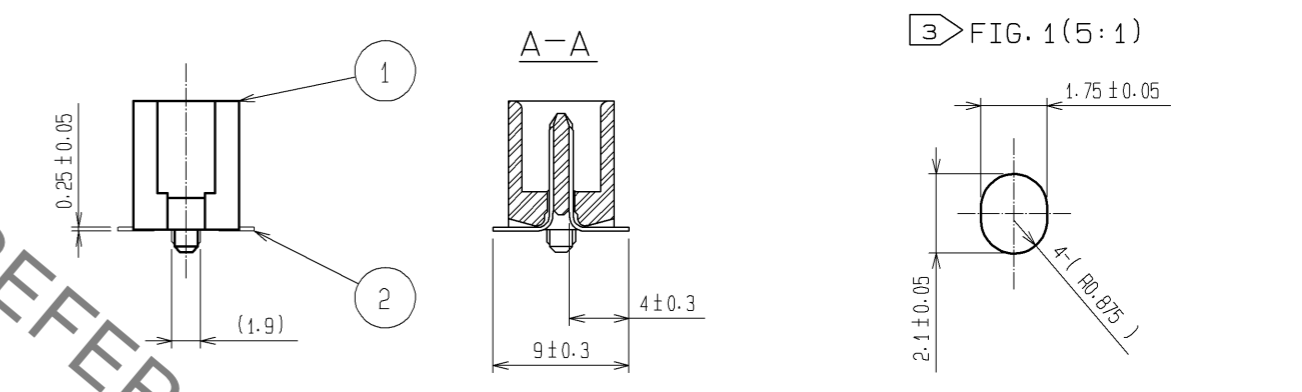
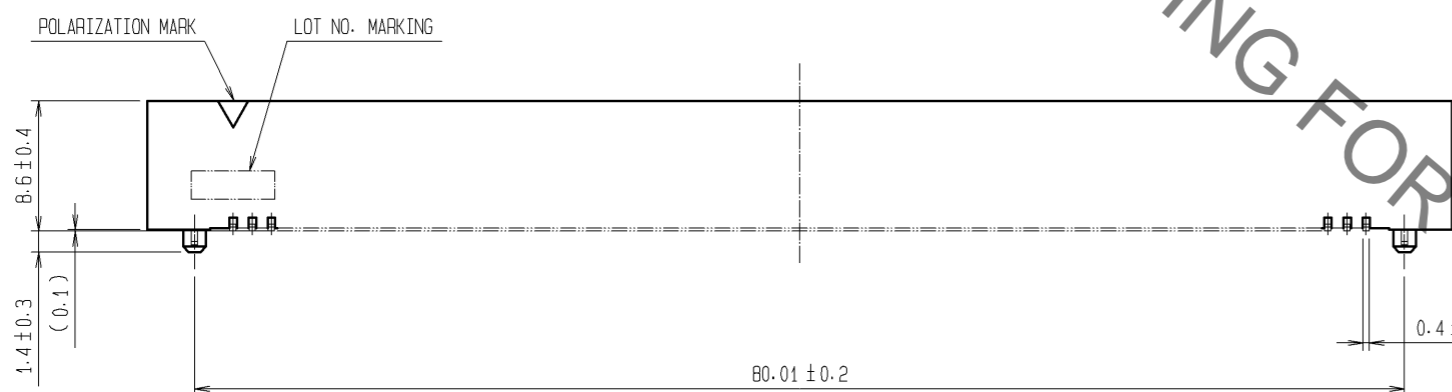
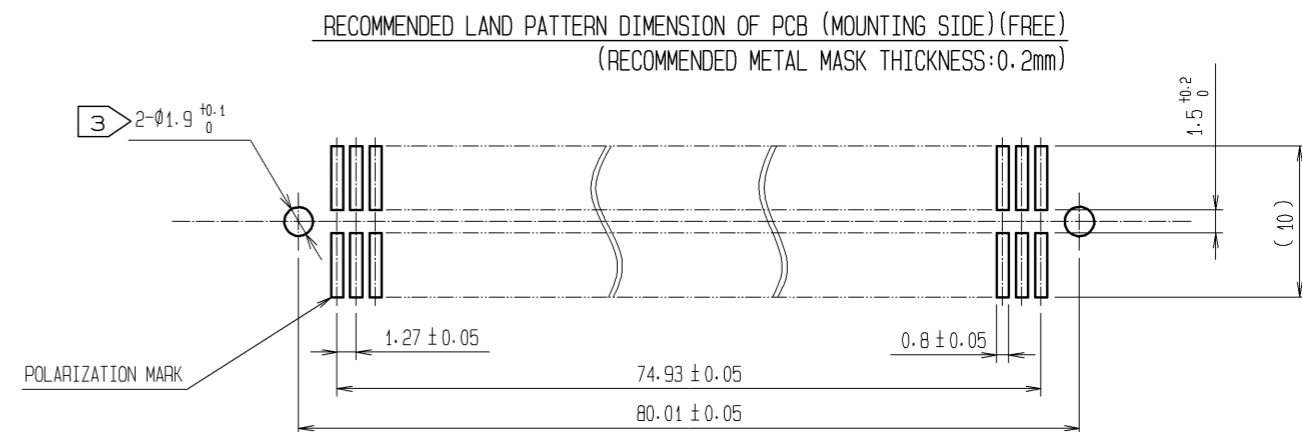


Sep.1.2021 Copyright 2021 HIROSE ELECTRIC CO., LTD. All Rights Reserved.  
In case of consideration for using Automotive equipment / device which demand high reliability, kindly contact our sales window correspondents.



- NOTES
- 1 LEAD CO-PLANARITY SHALL BE 0.15 MAX.
  - 2 THE DIMENSIONS IN PARENTHESES ARE FOR REFERENCE.
  - 3 IN CASE OF THE AUTOMATED MOUNTING, RECOMMENDED HOLE DIAMETER OF BOSS IS SHOWN IN FIG. 1.

|       |          |   |      |  |  |          |         |      |
|-------|----------|---|------|--|--|----------|---------|------|
| 1     | PPS      | LIGHT BROWN (UL94V-0)   | 2    | PHOSPHOR BRONZE  | CONTACT AREA: GOLD 0.2μm min.<br>LEAD AREA: TIN-PLATING 2μm min.<br>UNDER PLATING: NICKEL 2μm min. |          |         |      |
| NO.   | MATERIAL | FINISH . REMARKS  | NO.  | MATERIAL   | FINISH . REMARKS   |          |         |      |
| UNITS | mm       | SCALE   | FREE | COUNT  | DESCRIPTION OF REVISIONS   | DESIGNED | CHECKED | DATE |
|       |          | APPROVED : HS. OKAWA 10.09.14<br>CHECED : HT. YAMAGUCHI 10.09.13<br>DESIGNED : SY. KAMIGA 10.09.08<br>DRAWN : HK. SUNADORI 10.09.08 |      | DRAWING NO. EDC3-082412-21<br>PART NO. FX2-120P-1.27SV(71)<br>CODE NO. CL572-2009-0-71 |  | 1/1      |         |      |

## X-ON Electronics

Largest Supplier of Electrical and Electronic Components

*Click to view similar products for [Board to Board & Mezzanine Connectors](#) category:*

*Click to view products by [Hirose](#) manufacturer:*

Other Similar products are found below :

[589158040000018](#) [MDF7C-18P-2.54DSA\(55\)](#) [FCN-230C068-11](#) [FCN-268F012-G/BD](#) [FCN-268F036-G/BD](#) [FCN-268M012-G/0D](#) [FCN-268M024-G/1D](#) [FCN-723J004/1](#) [MIS-048-01-F-D-DP-K](#) [832-10-034-10-001000](#) [FX4C-80S-1.27DSA](#) [FCN-214Q030-G/0](#) [FCN-234P048-G/0](#) [FCN-235D050-G/C](#) [210-93-314-41-105000](#) [2-22603-0](#) [MDF7-40DP-2.54DSA\(55\)](#) [AXG720047](#) [MIT-114-03-F-D-K](#) [55323-1519](#) [DF33-2P-3.3DSA\(24\)](#) [YFT-20-05-H-03-SB-K](#) [503308-3040](#) [026-6203-PDB](#) [027-6203-PDB](#) [069159702701000](#) [10123981-102LF](#) [101A10019X](#) [55650-0588-C](#) [68682-310LF](#) [68684-306](#) [75140-7012](#) [87471-650](#) [YTW-30-07-H-Q-410-140](#) [FCN-268F024-G0D](#) [10124054-515LF](#) [68685-603](#) [8-1616154-3](#) [MIS-019-01-F-D](#) [FCN-268M024-G/3D](#) [FCN-268M036-G/BD](#) [20021832-06016C1LF](#) [KX15-20KLDL-E1000E](#) [AXE810124](#) [FCN-214J100-G/0](#) [FCN-230C068-E/S](#) [AXE812124](#) [AXE816124](#) [AXE720127](#) [354184](#)