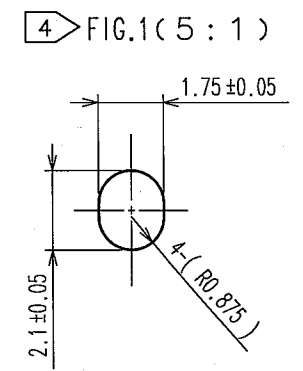
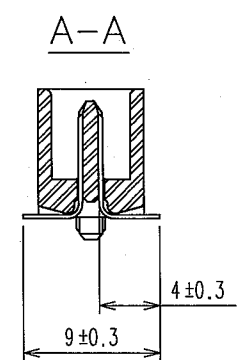
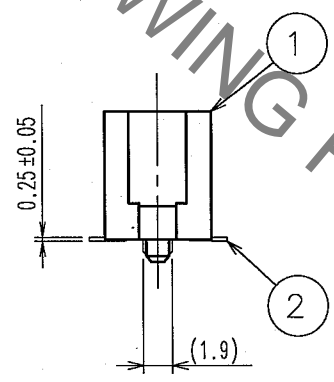
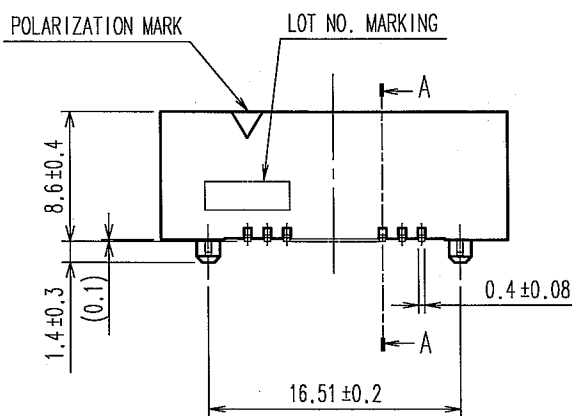
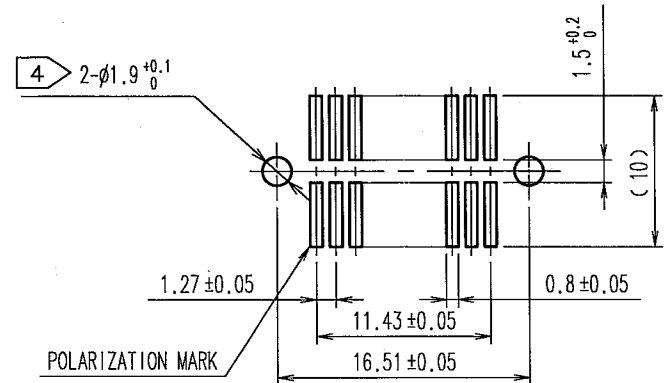
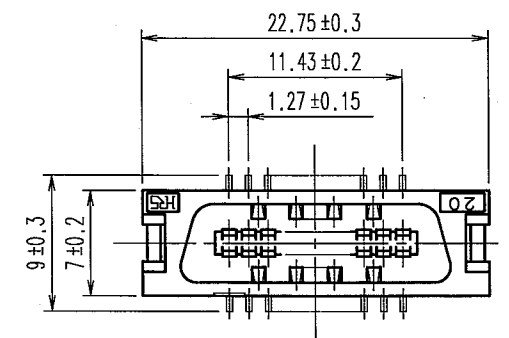


Sep.1.2021 Copyright 2021 HIROSE ELECTRIC CO., LTD. All Rights Reserved.
In case of consideration for using Automotive equipment / device which demand high reliability, kindly contact our sales window correspondents.

| 5 | | | | | 6 | | | | | 7 | | | | | 8 | | | | |
|-------|--------------------------|--|--|--|----|------|------|-------|--------------------------|---|--|--|----|------|------|--|--|--|--|
| COUNT | DESCRIPTION OF REVISIONS | | | | BY | CHKD | DATE | COUNT | DESCRIPTION OF REVISIONS | | | | BY | CHKD | DATE | | | | |
| △ | | | | | | | .. | △ | | | | | | | .. | | | | |
| △ | | | | | | | .. | △ | | | | | | | .. | | | | |
| △ | | | | | | | .. | △ | | | | | | | .. | | | | |

RECOMMENDED LAND PATTERN DIMENSION OF PCB (MOUNTING SIDE)



- NOTES
- LEAD CO-PLANARITY SHALL BE 0.15 MAX.
 - THE DIMENSIONS IN PARENTHESES ARE FOR REFERENCE.
 - EMBOSS CARRIER PACKINGS APPLIED TO THIS PRODUCT.
 - IN CASE OF THE AUTOMATED MOUNTING, RECOMMENDED HOLE DIAMETER OF BOSS IS SHOWN IN FIG.1.

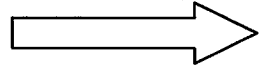
| | | | | | |
|----------------------|----------|---------------------------------|-----|---|--|
| 1 | PPS | LIGHT BROWN (UL94V-0) | 2 | PHOSPHOR BRONZE | CONTACT AREA:GOLD 0.2μ m min. LEAD AREA:TIN-PLATING 2μ m min. UNDER PLATING:NICKEL 2μ m min. |
| NO. | MATERIAL | FINISH, REMARKS | NO. | MATERIAL | FINISH, REMARKS |
| CODE NO. (OLD) CL | | DRAWN A.SUZUKAWA 06.12.19 | | DESIGNED <i>A. Ozawa</i> 06.12.19 | CHECKED <i>H. Okawa</i> 06.12.19 |
| SCALE 2 : 1 | | DRAWING NO. EDC3-082751-22 | | PART NO. FX2-20P-1.27SV(92) | |
| UNITS mm | | HRS HIROSE ELECTRIC CO., LTD | | CODE NO. CL572-2001-9-92 | |
| | | | | | 1/2 |

HRS DRAWING FOR REFERENCE

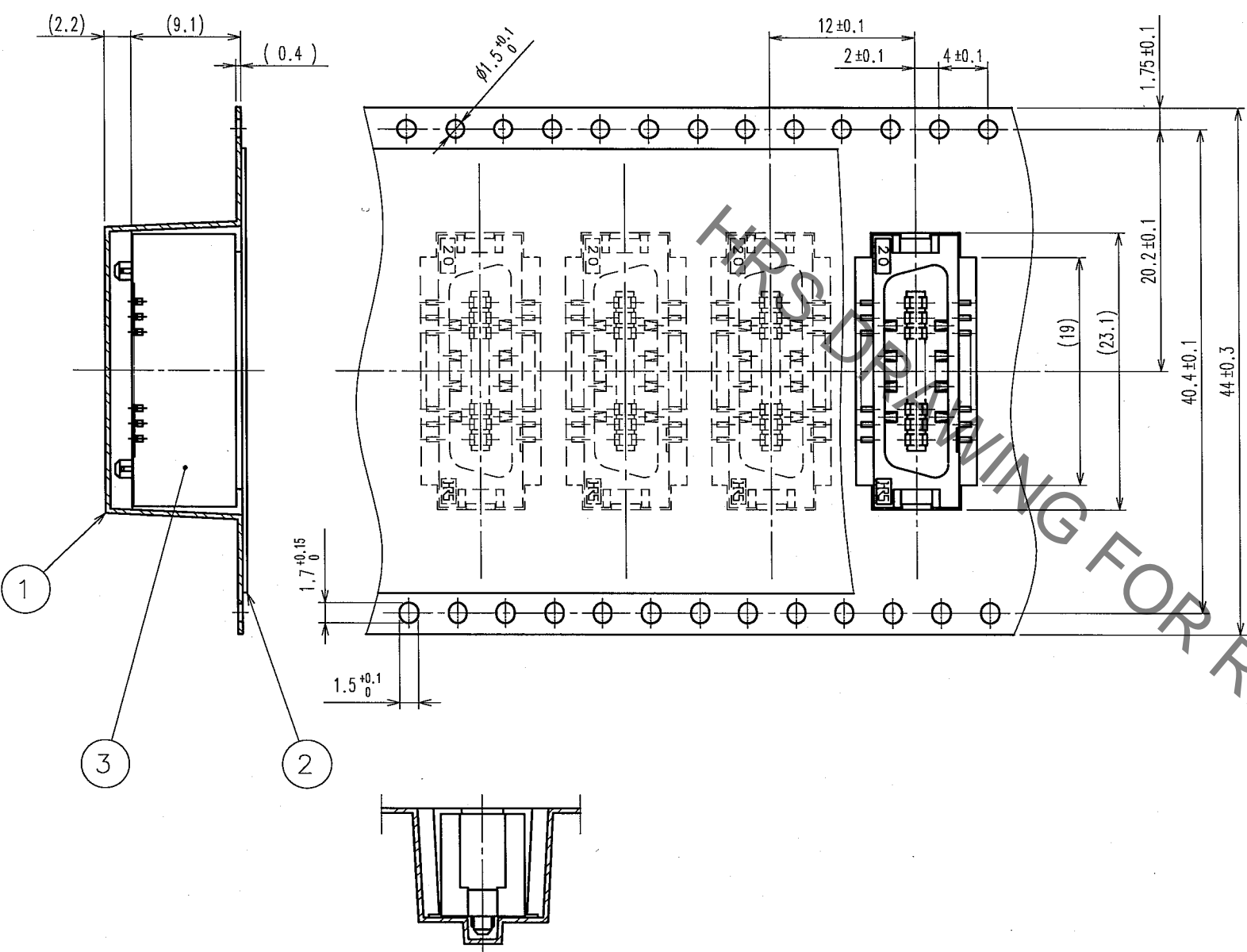
| |
|----|
| TO |
| |
| |
| |

Sep.1.2021 Copyright 2021 HIROSE ELECTRIC CO., LTD. All Rights Reserved.
In case of consideration for using Automotive equipment / device which demand high reliability, kindly contact our sales window correspondents.

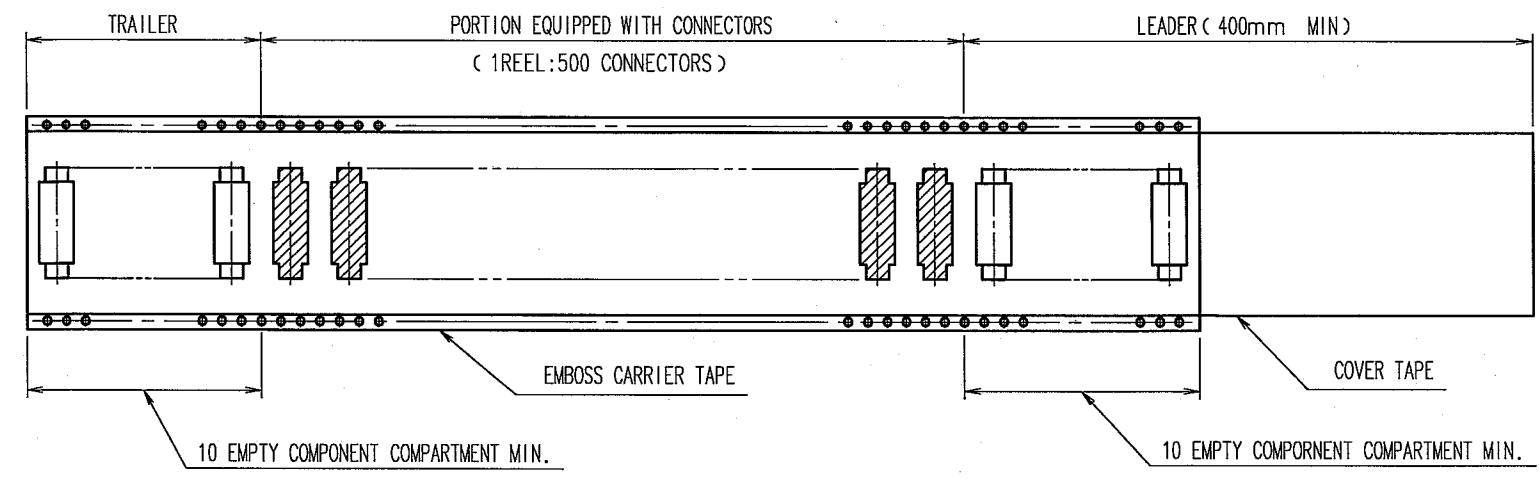
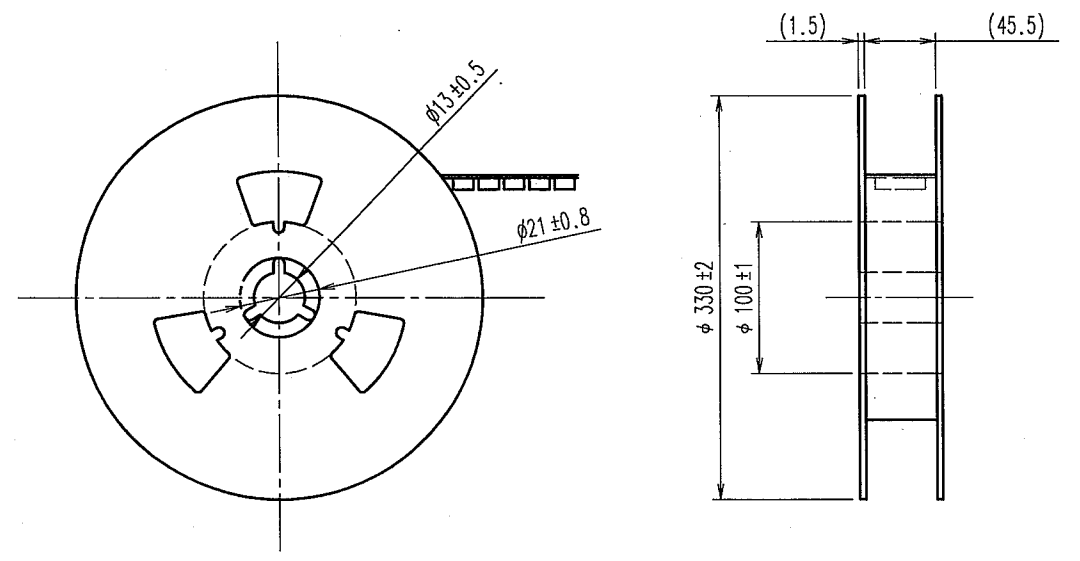
DIRECTION OF UNREELING



| COUNT | DESCRIPTION OF REVISIONS | BY | CHKD | DATE | COUNT | DESCRIPTION OF REVISIONS | BY | CHKD | DATE |
|-------|--------------------------|----|------|------|-------|--------------------------|----|------|------|
| | | | | | | | | | |
| | | | | | | | | | |
| | | | | | | | | | |



STYLE AND DIMENSIONS OF REEL(FREE)



NOTE 1 1 REEL : 500 CONNECTORS

| 2 | POLYESTER | COVER TAPE | 3 | (CONNECTOR) | | | | | | |
|----------------|-------------|---------------------|-----|-------------|-----------------|--------------------|--------------------|--------------------------|-----------------|----------|
| 1 | POLYSTYRENE | EMBOSS CARRIER TAPE | | | | | | | | |
| NO. | MATERIAL | FINISH, REMARKS | NO. | MATERIAL | FINISH, REMARKS | | | | | |
| CODE NO. (OLD) | | | | | | DRAWN | DESIGNED | CHECKED | APPROVED | RELEASED |
| | | | | | | A. SUZUKAWA | <i>N. Nakamura</i> | <i>J. Ozawa</i> | <i>H. Okawa</i> | |
| | | | | | | 06.12.19 | 06.12.19 | 06.12.19 | 06.12.19 | |
| DRAWING NO. | | | | | | PART NO. | | | | |
| EDC3-082751-22 | | | | | | FX2-20P-1.27SV(92) | | | | |
| SCALE | | | | | | CODE NO. | | | | |
| 2 : 1 | | | | | | CL572-2001-9-92 | | | | |
| UNITS | | | | | | | | | | |
| mm | | | | | | HRS | | HIROSE ELECTRIC CO., LTD | | |

TO
PCK

2/2

X-ON Electronics

Largest Supplier of Electrical and Electronic Components

Click to view similar products for [Board to Board & Mezzanine Connectors](#) category:

Click to view products by [Hirose](#) manufacturer:

Other Similar products are found below :

[589158040000018](#) [MDF7C-18P-2.54DSA\(55\)](#) [FCN-230C068-11](#) [FCN-268F012-G/BD](#) [FCN-268F036-G/BD](#) [FCN-268M012-G/0D](#) [FCN-268M024-G/1D](#) [FCN-723J004/1](#) [MIS-048-01-F-D-DP-K](#) [832-10-034-10-001000](#) [FX4C-80S-1.27DSA](#) [FCN-214Q030-G/0](#) [FCN-234P048-G/0](#) [FCN-235D050-G/C](#) [210-93-314-41-105000](#) [2-22603-0](#) [MDF7-40DP-2.54DSA\(55\)](#) [AXG720047](#) [MIT-114-03-F-D-K](#) [55323-1519](#) [DF33-2P-3.3DSA\(24\)](#) [YFT-20-05-H-03-SB-K](#) [503308-3040](#) [026-6203-PDB](#) [027-6203-PDB](#) [069159702701000](#) [10123981-102LF](#) [101A10019X](#) [55650-0588-C](#) [68682-310LF](#) [68684-306](#) [75140-7012](#) [87471-650](#) [YTW-30-07-H-Q-410-140](#) [FCN-268F024-G0D](#) [10124054-515LF](#) [68685-603](#) [8-1616154-3](#) [MIS-019-01-F-D](#) [FCN-268M024-G/3D](#) [FCN-268M036-G/BD](#) [20021832-06016C1LF](#) [KX15-20KLDL-E1000E](#) [AXE810124](#) [FCN-214J100-G/0](#) [FCN-230C068-E/S](#) [AXE812124](#) [AXE816124](#) [AXE720127](#) [354184](#)