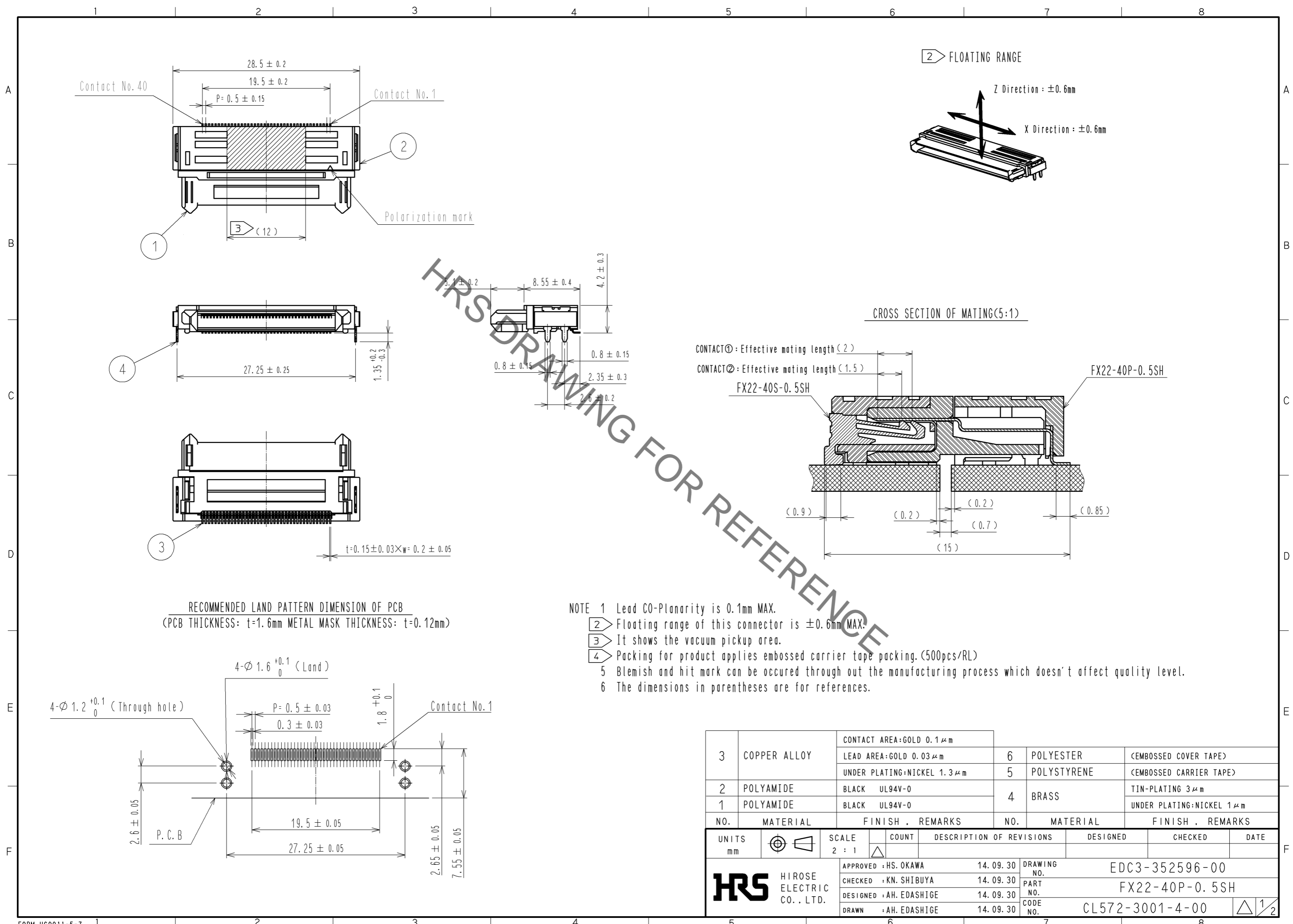


Sep.1.2021 Copyright 2021 HIROSE ELECTRIC CO., LTD. All Rights Reserved.
In case of consideration for using Automotive equipment / device which demand high reliability, kindly contact our sales window correspondents.



RECOMMENDED LAND PATTERN DIMENSION OF PCB
(PCB THICKNESS: $t=1.6\text{mm}$ METAL MASK THICKNESS: $t=0.12\text{mm}$)

- NOTE 1 Lead CO-Planarity is 0.1mm MAX.
 (2) Floating range of this connector is $\pm 0.6\text{mm}$ MAX.
 (3) It shows the vacuum pickup area.
 (4) Packing for product applies embossed carrier tape packing. (500pcs/RL)
 5 Blemish and hit mark can be occurred through out the manufacturing process which doesn't affect quality level.
 6 The dimensions in parentheses are for references.

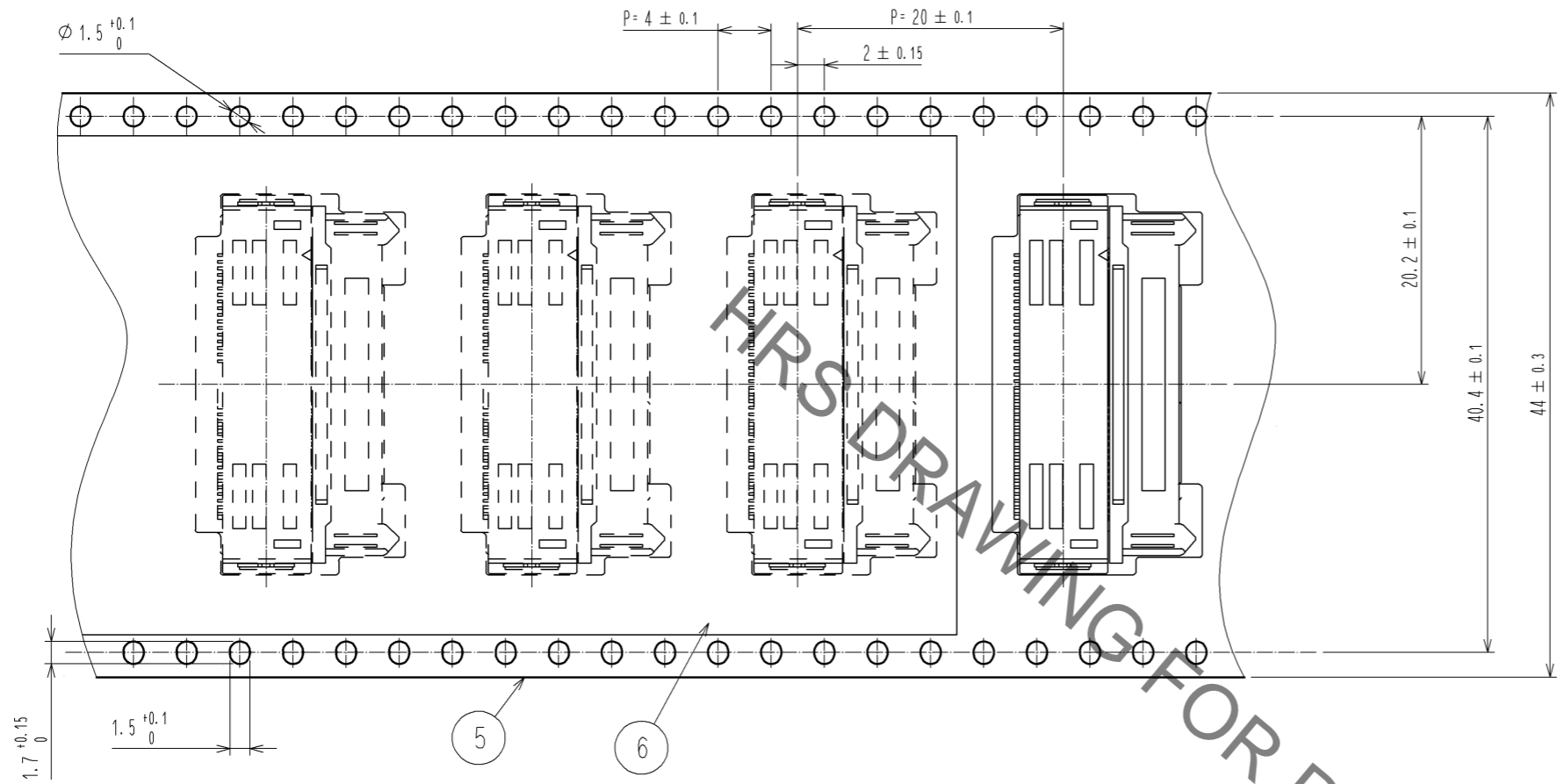
3	COPPER ALLOY	CONTACT AREA:GOLD 0.1 μm	6	POLYESTER	(EMBOSSED COVER TAPE)
		LEAD AREA:GOLD 0.03 μm	5	POLYSTYRENE	(EMBOSSED CARRIER TAPE)
		UNDER PLATING:NICKEL 1.3 μm	4	BRASS	TIN-PLATING 3 μm
2	POLYAMIDE	BLACK UL94V-0			UNDER PLATING:NICKEL 1 μm
1	POLYAMIDE	BLACK UL94V-0			
NO.	MATERIAL	FINISH . REMARKS	NO.	MATERIAL	FINISH . REMARKS
UNITS		SCALE	COUNT	DESCRIPTION OF REVISIONS	
mm		2 : 1	Δ	DESIGNED	CHECKED
APPROVED : HS. OKAWA		14. 09. 30	DRAWING NO. EDC3-352596-00		
CHECKED : KN. SHIBUYA		14. 09. 30	PART NO. FX22-40P-0. 5SH		
DESIGNED : AH. EDASHIGE		14. 09. 30	CODE NO. CL572-3001-4-00		
DRAWN : AH. EDASHIGE		14. 09. 30	1/2		

HRS DRAWING FOR REFERENCE

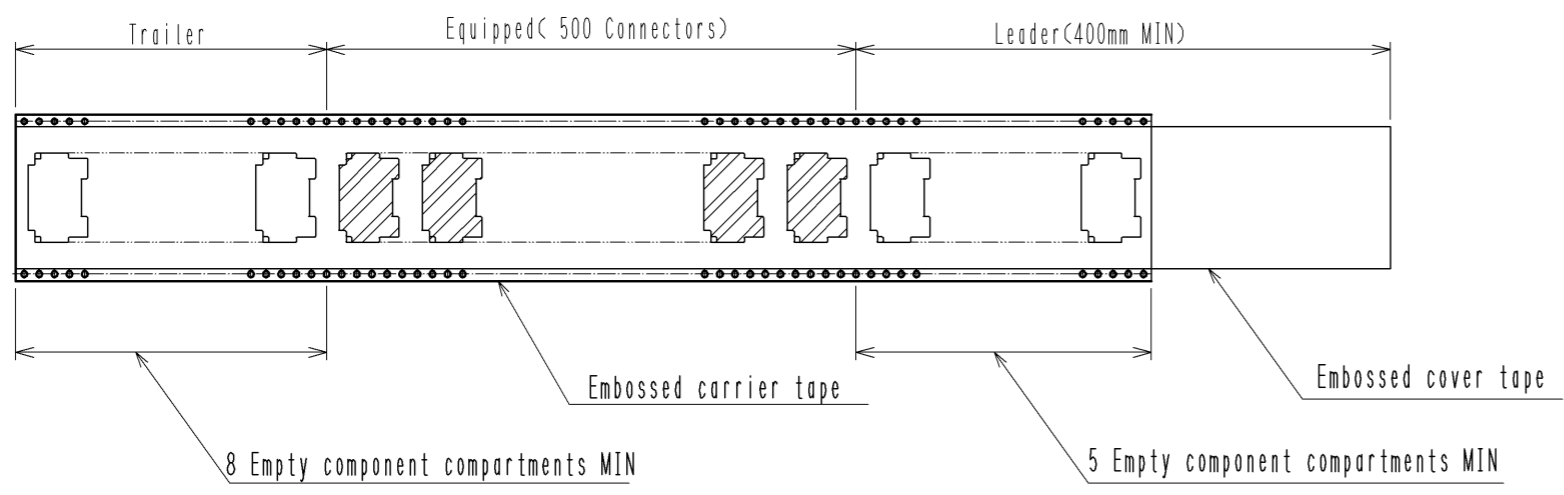
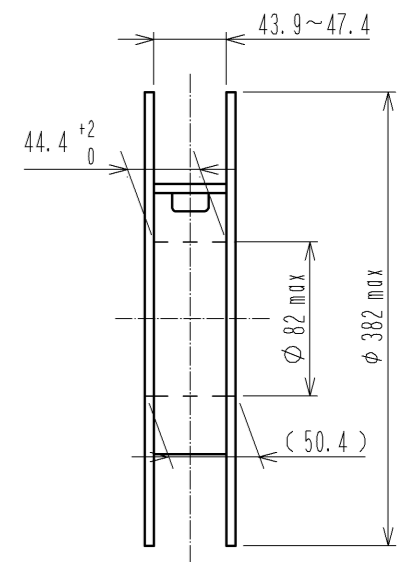
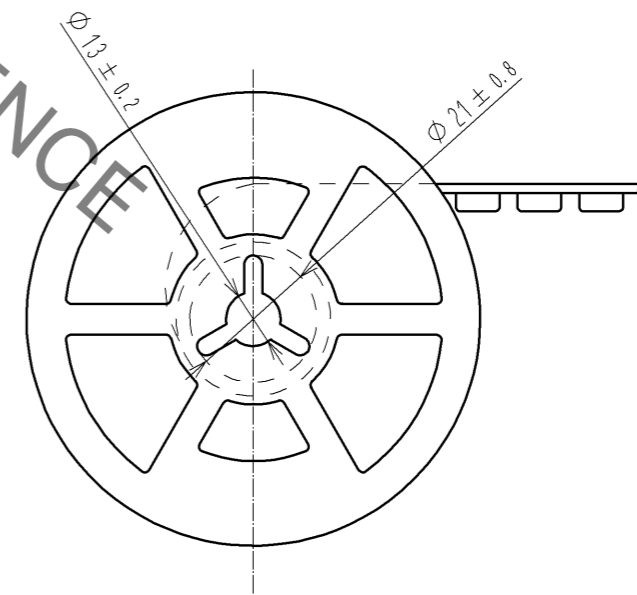
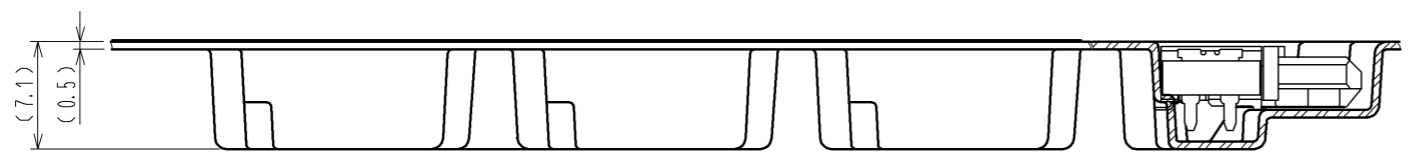
Sep.1.2021 Copyright 2021 HIROSE ELECTRIC CO., LTD. All Rights Reserved.
 In case of consideration for using Automotive equipment / device which demand high reliability, kindly contact our sales window correspondents.

4 DRAWING FOR PACKING

The direction of pulling out →



REELING DIMENSION (No scale)



HRS	図番:	EDC3-352596-00	
	製品名:	FX22-40P-0.5SH	
	製品コード:	CL572-3001-4-00	

X-ON Electronics

Largest Supplier of Electrical and Electronic Components

Click to view similar products for [Board to Board & Mezzanine Connectors](#) category:

Click to view products by [Hirose](#) manufacturer:

Other Similar products are found below :

[589158040000018](#) [MDF7C-18P-2.54DSA\(55\)](#) [FCN-230C068-11](#) [FCN-268F012-G/BD](#) [FCN-268F036-G/BD](#) [FCN-268M012-G/0D](#) [FCN-268M024-G/1D](#) [FCN-723J004/1](#) [MIS-048-01-F-D-DP-K](#) [832-10-034-10-001000](#) [FX4C-80S-1.27DSA](#) [FCN-214Q030-G/0](#) [FCN-234P048-G/0](#) [FCN-235D050-G/C](#) [210-93-314-41-105000](#) [2-22603-0](#) [MDF7-40DP-2.54DSA\(55\)](#) [AXG720047](#) [MIT-114-03-F-D-K](#) [55323-1519](#) [DF33-2P-3.3DSA\(24\)](#) [YFT-20-05-H-03-SB-K](#) [503308-3040](#) [026-6203-PDB](#) [027-6203-PDB](#) [069159702701000](#) [10123981-102LF](#) [101A10019X](#) [55650-0588-C](#) [68682-310LF](#) [68684-306](#) [75140-7012](#) [87471-650](#) [YTW-30-07-H-Q-410-140](#) [FCN-268F024-G0D](#) [10124054-515LF](#) [68685-603](#) [8-1616154-3](#) [MIS-019-01-F-D](#) [FCN-268M024-G/3D](#) [FCN-268M036-G/BD](#) [20021832-06016C1LF](#) [KX15-20KLDL-E1000E](#) [AXE810124](#) [FCN-214J100-G/0](#) [FCN-230C068-E/S](#) [AXE812124](#) [AXE816124](#) [AXE720127](#) [354184](#)