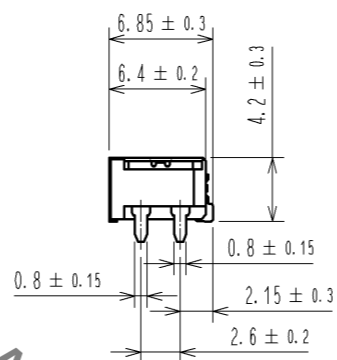
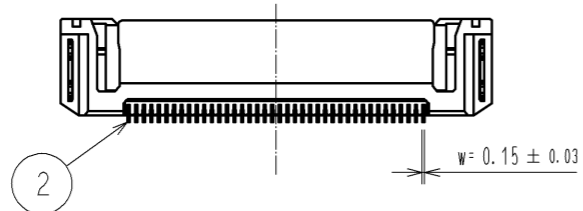
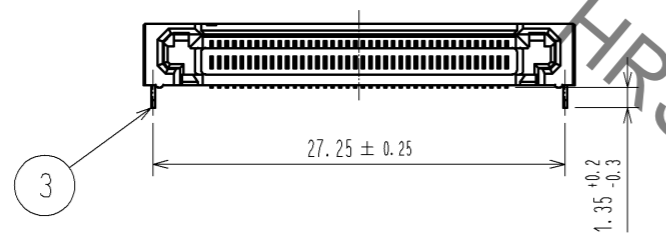
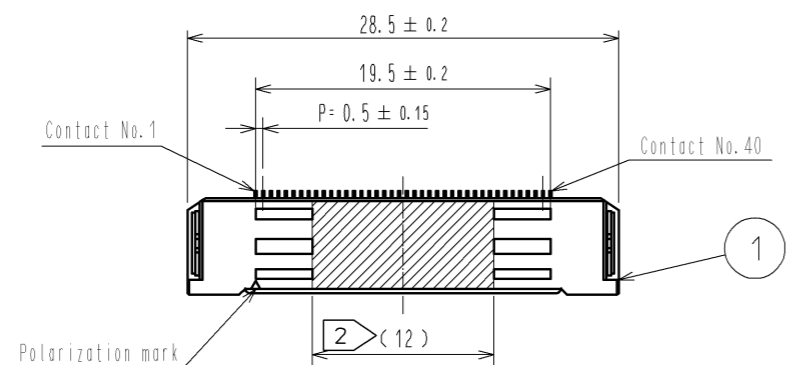
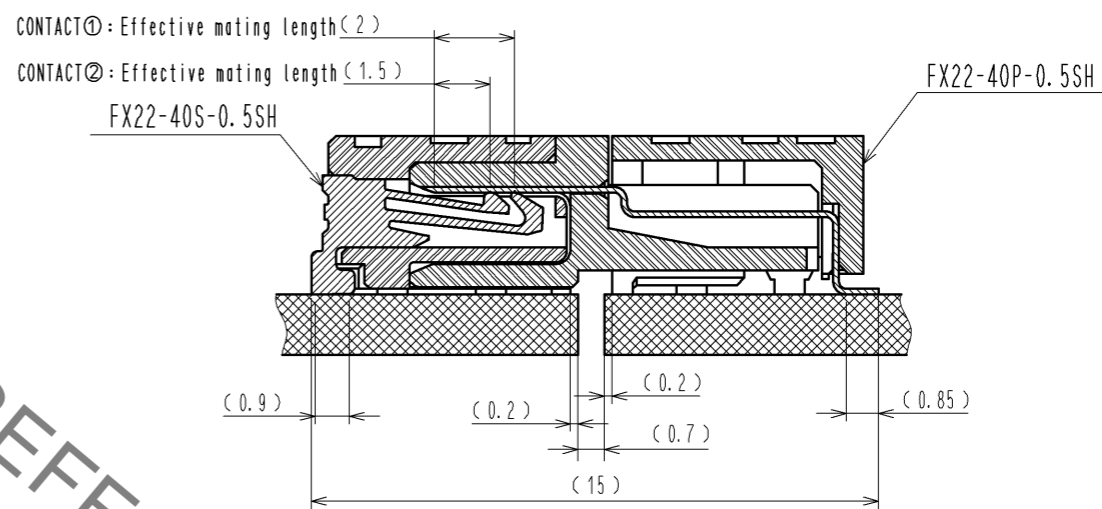


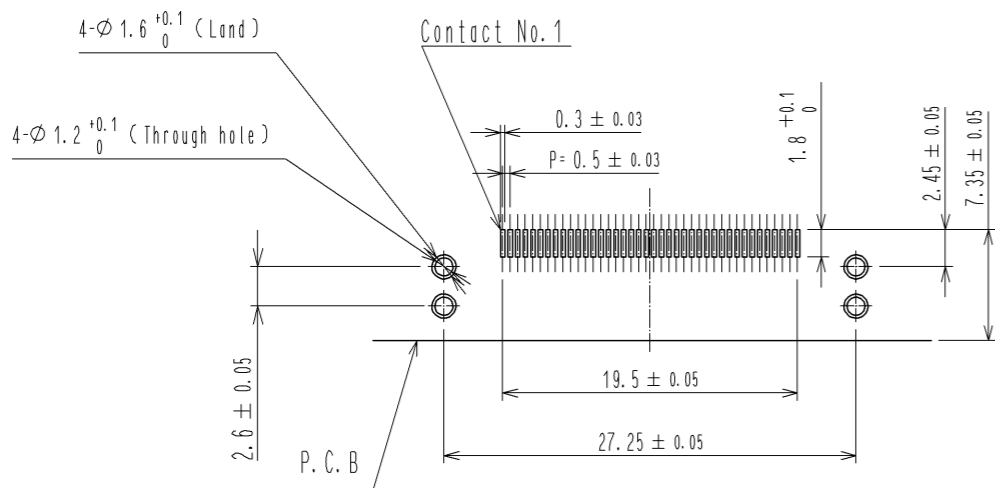
Sep.1.2021 Copyright 2021 HIROSE ELECTRIC CO., LTD. All Rights Reserved.
In case of consideration for using Automotive equipment / device which demand high reliability, kindly contact our sales window correspondents.



CROSS SECTION OF MATING(5:1)



RECOMMENDED LAND PATTERN DIMENSION OF PCB
(PCB THICKNESS: t=1.6mm METAL MASK THICKNESS: t=0.12mm)



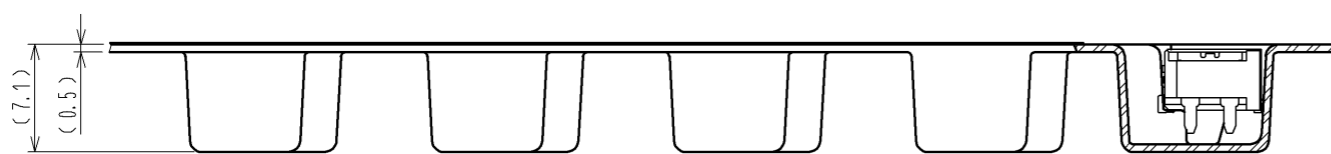
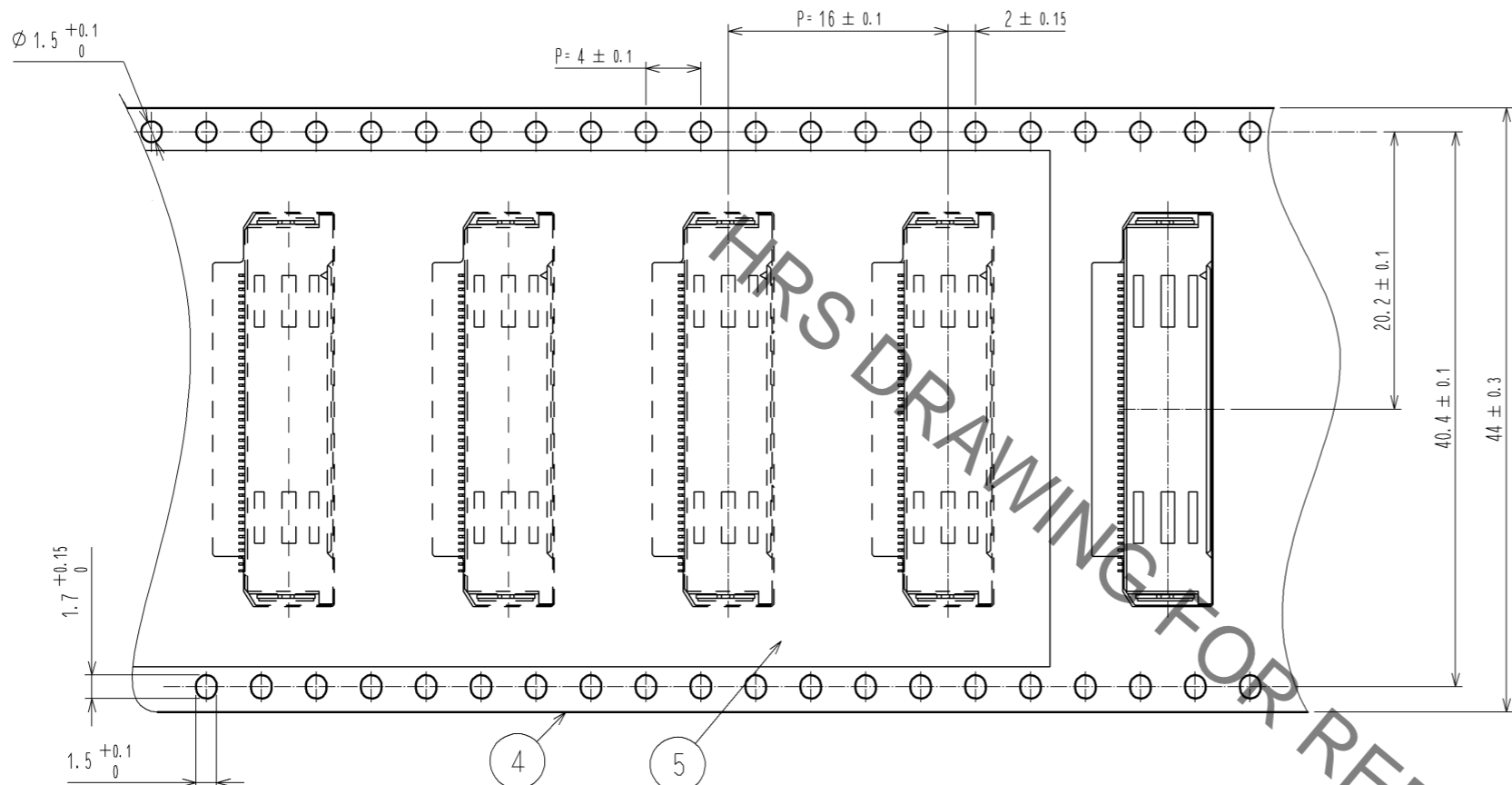
- NOTE 1 Lead CO-Planarity is 0.1mm MAX.
 2 It shows the vacuum pickup area.
 3 Packing for product applies embossed carrier tape packing. (700pcs/RL)
 4 Blemish and hit mark can be occurred through out the manufacturing process which doesn't affect quality level.
 5 The dimensions in parentheses are for references.

3	COPPER ALLOY	CONTACT AREA:GOLD 0.1 μm	5	POLYESTER	(EMBOSSSED COVER TAPE)			
		LEAD AREA:GOLD 0.03 μm	4	POLYSTYRENE	(EMBOSSSED CARRIER TAPE)			
		UNDER PLATING:NICKEL 1.3 μm	3	BRASS	TIN-PLATING 3 μm			
1	LCP	BLACK UL94V-0			UNDER PLATING:NICKEL 1 μm			
NO.	MATERIAL	FINISH . REMARKS	NO.	MATERIAL	FINISH . REMARKS			
UNITS mm		SCALE 2 : 1	COUNT △	DESCRIPTION OF REVISIONS		DESIGNED	CHECKED	DATE
HRS HIROSE ELECTRIC CO., LTD.		APPROVED : HS. OKAWA	14. 09. 30	DRAWING NO.		EDC3-352600-00		
		CHECKED : KN. SHIBUYA	14. 09. 30	PART NO.		FX22-40S-0. 5SH		
		DESIGNED : AH. EDASHIGE	14. 09. 30	CODE NO.		CL572-3100-6-00		
		DRAWN : AH. EDASHIGE	14. 09. 30			△ 1/2		

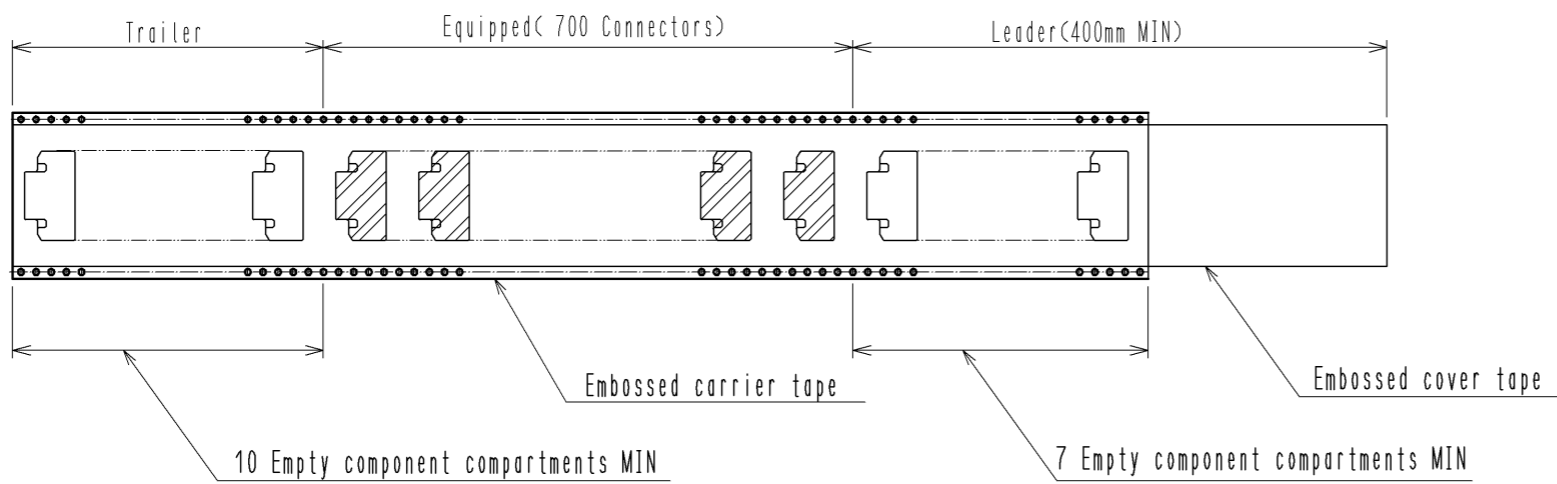
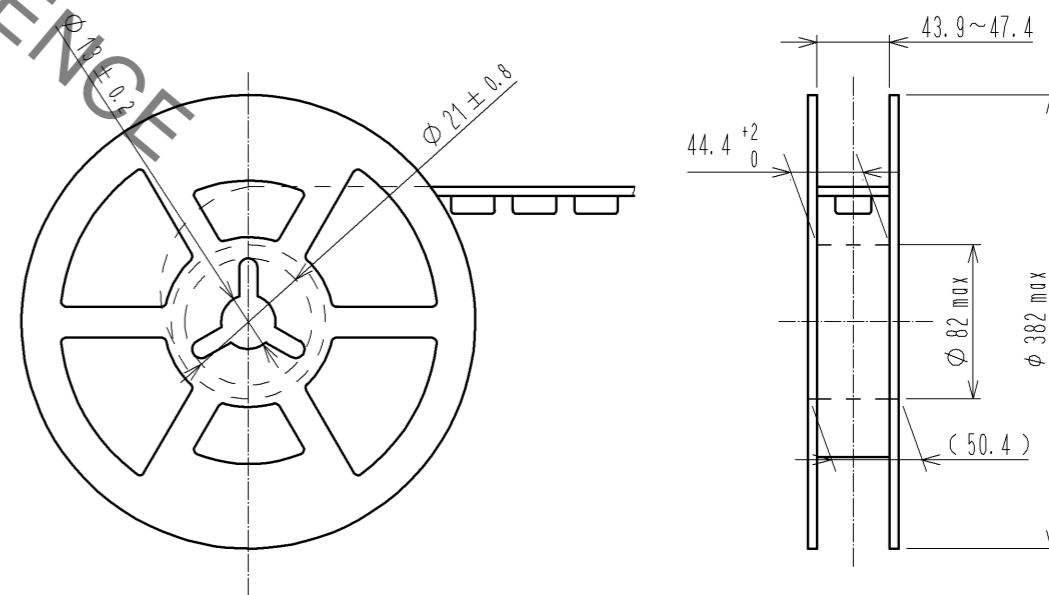
Sep.1.2021 Copyright 2021 HIROSE ELECTRIC CO., LTD. All Rights Reserved.
 In case of consideration for using Automotive equipment / device which demand high reliability, kindly contact our sales window correspondents.

3 DRAWING FOR PACKING

The direction of pulling out →



REELING DIMENSION (No scale)



HRS	DRAWING NO.	EDC3-352600-00	△ 2/2
	PART NO.	FX22-40S-0.5SH	
	CODE NO.	CL572-3100-6-00	

X-ON Electronics

Largest Supplier of Electrical and Electronic Components

Click to view similar products for [Board to Board & Mezzanine Connectors](#) category:

Click to view products by [Hirose](#) manufacturer:

Other Similar products are found below :

[589158040000018](#) [FCN-230C068-11](#) [FCN-268F012-G/BD](#) [FCN-268F036-G/BD](#) [FCN-268M012-G/0D](#) [FCN-268M024-G/1D](#) [FCN-723J004/1](#) [MIS-048-01-F-D-DP-K](#) [832-10-034-10-001000](#) [FX4C-80S-1.27DSA](#) [FCN-214Q030-G/0](#) [FCN-234P048-G/0](#) [FCN-235D050-G/C](#) [2-22603-0](#) [AXG720047](#) [5031084030](#) [MIT-114-03-F-D-K](#) [55323-1519](#) [YFT-20-05-H-03-SB-K](#) [503308-3040](#) [026-6203-PDB](#) [027-6203-PDB](#) [069159702701000](#) [10123981-102LF](#) [101A10019X](#) [55650-0588-C](#) [68682-310LF](#) [68684-306](#) [75140-7012](#) [87471-650](#) [YTW-30-07-H-Q-410-140](#) [194261-1](#) [FCN-268F024-G0D](#) [10124054-515LF](#) [68685-603](#) [8-1616154-3](#) [MIS-019-01-F-D](#) [FCN-268M024-G/3D](#) [FCN-268M036-G/BD](#) [20021832-06016C1LF](#) [KX15-20KLDL-E1000E](#) [AXE810124](#) [FCN-214J100-G/0](#) [FCN-230C068-E/S](#) [AXE812124](#) [AXE816124](#) [AXE720127](#) [354184](#) [MIT-019-04-F-D-K](#) [P50-028-DDS-TG](#)