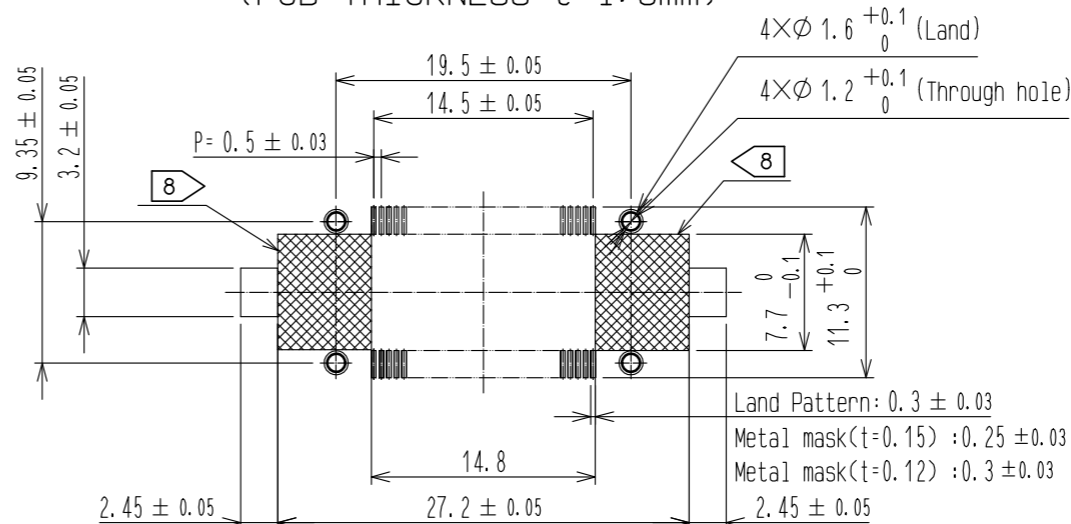


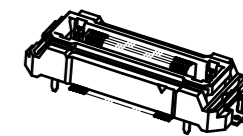
Sep.1.2021 Copyright 2021 HIROSE ELECTRIC CO., LTD. All Rights Reserved.  
In case of consideration for using Automotive equipment / device which demand high reliability, kindly contact our sales window correspondents.

**RECOMMENDED LAND PATTERN DIMENSION OF PCB**  
(PCB THICKNESS:  $t=1.6\text{mm}$ )

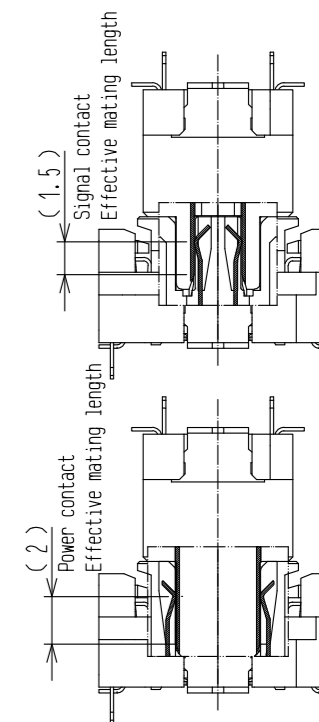


FLOATING RANGE

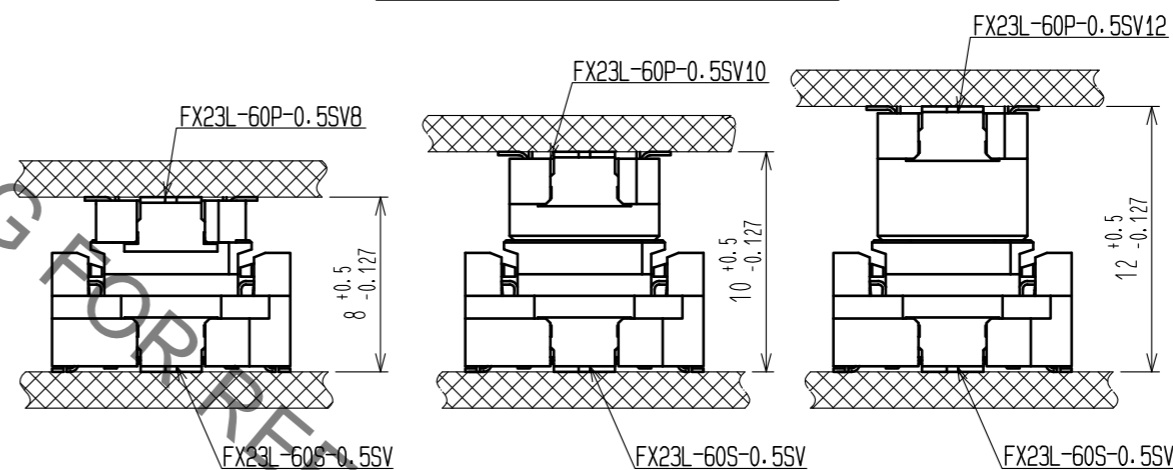
X DIRECTION:  $\pm 0.6\text{mm}$   
Y DIRECTION:  $\pm 0.6\text{mm}$



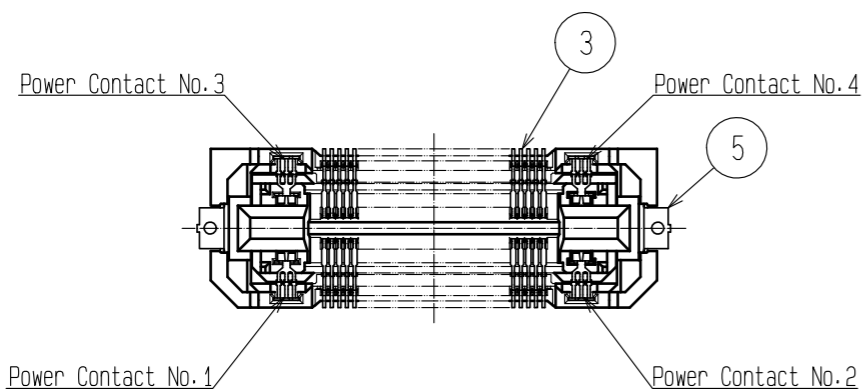
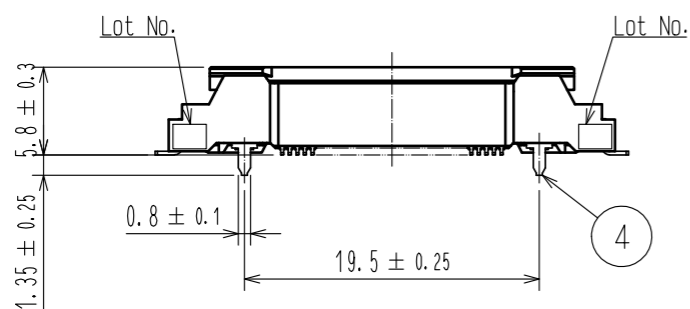
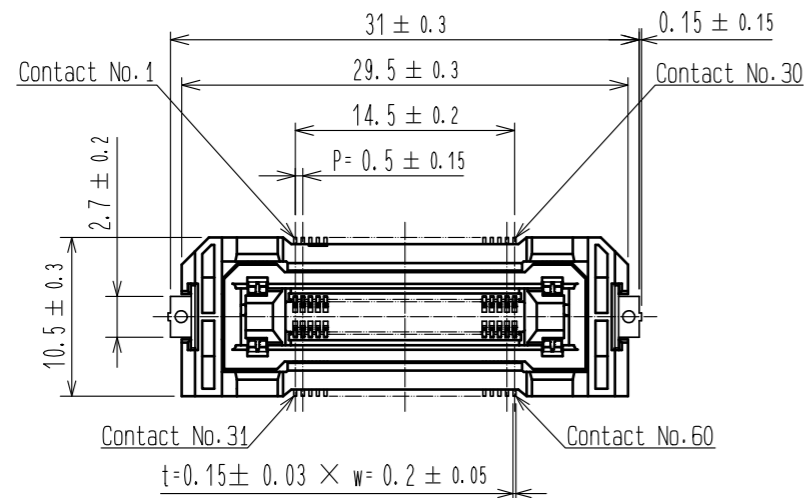
CROSS SECTION OF MATING  
(No scale)



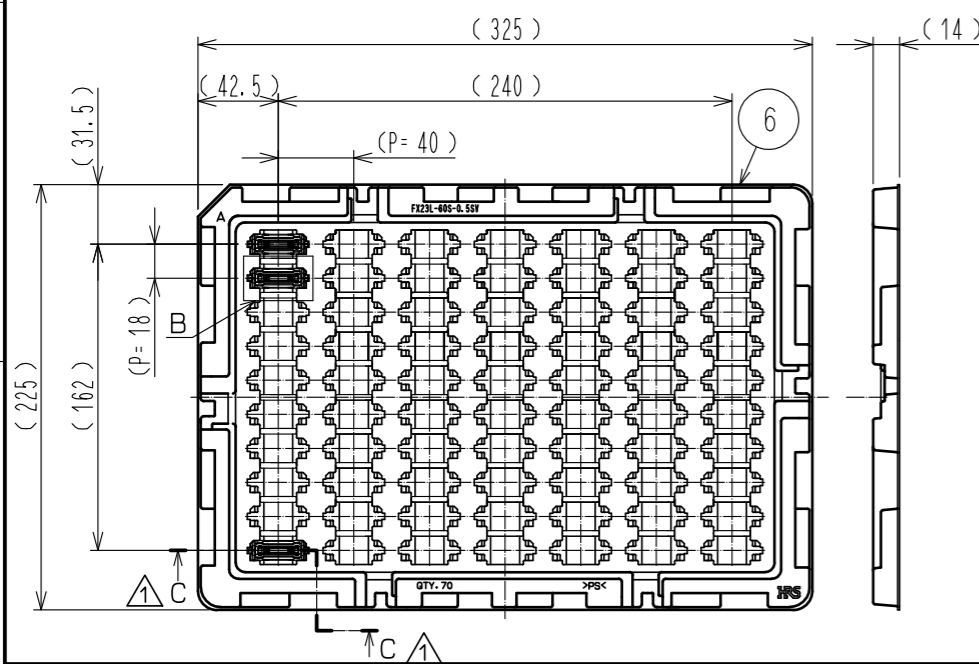
PCB DISTANCE (No scale)



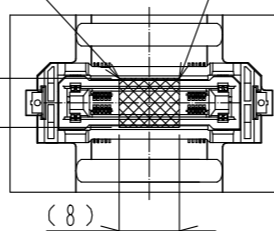
- Note
- 1 Lead CO-Planarity is 0.1mm MAX.
  - 2 This is packaged in tray. (70pcs/tray)
  - 3 Floating range of this connector is  $\pm 0.6\text{mm}$  MAX.
  - 4 The maximum cycle time of the floating operation is in accordance with the mating cycle of the connector.
  - 4 It shows the vacuum pickup area. Remove the mylar tape before mating connectors.
  - 5 Blemish and hit mark can be occurred through out the manufacturing process which doesn't affect quality level.
  - 6 The dimensions in parentheses are for references.
  - 7 Please use the connectors within the specified PCB distance.
  - 8 area of inner SMT land requires pattern prohibition or resist treatment to prevent the pattern.



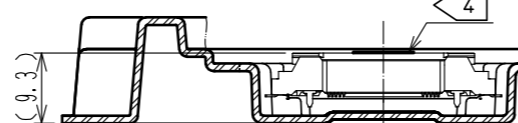
DRAWING FOR PACKING (No scale)



B (1:1)



C-C (1:1)



NO.	MATERIAL	FINISH . REMARKS	NO.	MATERIAL	FINISH . REMARKS
3	COPPER ALLOY	CONTACT AREA:GOLD 0.1 $\mu\text{m}$ LEAD AREA:GOLD 0.03 $\mu\text{m}$ UNDER PLATING:NICKEL 1.3 $\mu\text{m}$	7	POLYIMIDE	(TAPE FOR VACUUM PICKUP)
2	POLYAMIDE	BLACK UL94V-0	6	POLYSTYRENE	(TRAY)
1	POLYAMIDE	BLACK UL94V-0	5	BRASS	TIN-PLATING 1 $\mu\text{m}$
			4	COPPER ALLOY	CONTACT AREA:GOLD 0.1 $\mu\text{m}$ LEAD AREA:TIN-PLATING 1 $\mu\text{m}$ UNDER PLATING:NICKEL 1.3 $\mu\text{m}$

UNITS	SCALE	COUNT	DESCRIPTION OF REVISIONS	DESIGNED	CHECKED	DATE
mm	2 : 1	1	DIS-F-00004372	TS.00NO	HT.YAMAGUCHI	20190307

APPROVED	CHECKED	DESIGNED	DRAWN	DRAWING NO.	PART NO.	CODE NO.
HS. OKAWA	KN. SHIBUYA	AH. EDASHIGE	AH. EDASHIGE	EDC-358066-00-00	FX23L-60S-0.5SV	CL573-2303-4-00

## X-ON Electronics

Largest Supplier of Electrical and Electronic Components

*Click to view similar products for [Board to Board & Mezzanine Connectors](#) category:*

*Click to view products by [Hirose](#) manufacturer:*

Other Similar products are found below :

[589158040000018](#) [MDF7C-18P-2.54DSA\(55\)](#) [FCN-230C068-11](#) [FCN-268F012-G/BD](#) [FCN-268F036-G/BD](#) [FCN-268M012-G/0D](#) [FCN-268M024-G/1D](#) [FCN-723J004/1](#) [MIS-048-01-F-D-DP-K](#) [832-10-034-10-001000](#) [FX4C-80S-1.27DSA](#) [FCN-214Q030-G/0](#) [FCN-234P048-G/0](#) [FCN-235D050-G/C](#) [210-93-314-41-105000](#) [2-22603-0](#) [MDF7-40DP-2.54DSA\(55\)](#) [AXG720047](#) [MIT-114-03-F-D-K](#) [55323-1519](#) [DF33-2P-3.3DSA\(24\)](#) [YFT-20-05-H-03-SB-K](#) [503308-3040](#) [026-6203-PDB](#) [027-6203-PDB](#) [069159702701000](#) [10123981-102LF](#) [101A10019X](#) [55650-0588-C](#) [68682-310LF](#) [68684-306](#) [75140-7012](#) [87471-650](#) [YTW-30-07-H-Q-410-140](#) [FCN-268F024-G0D](#) [10124054-515LF](#) [68685-603](#) [8-1616154-3](#) [MIS-019-01-F-D](#) [FCN-268M024-G/3D](#) [FCN-268M036-G/BD](#) [20021832-06016C1LF](#) [KX15-20KLDL-E1000E](#) [AXE810124](#) [FCN-214J100-G/0](#) [FCN-230C068-E/S](#) [AXE812124](#) [AXE816124](#) [AXE720127](#) [354184](#)