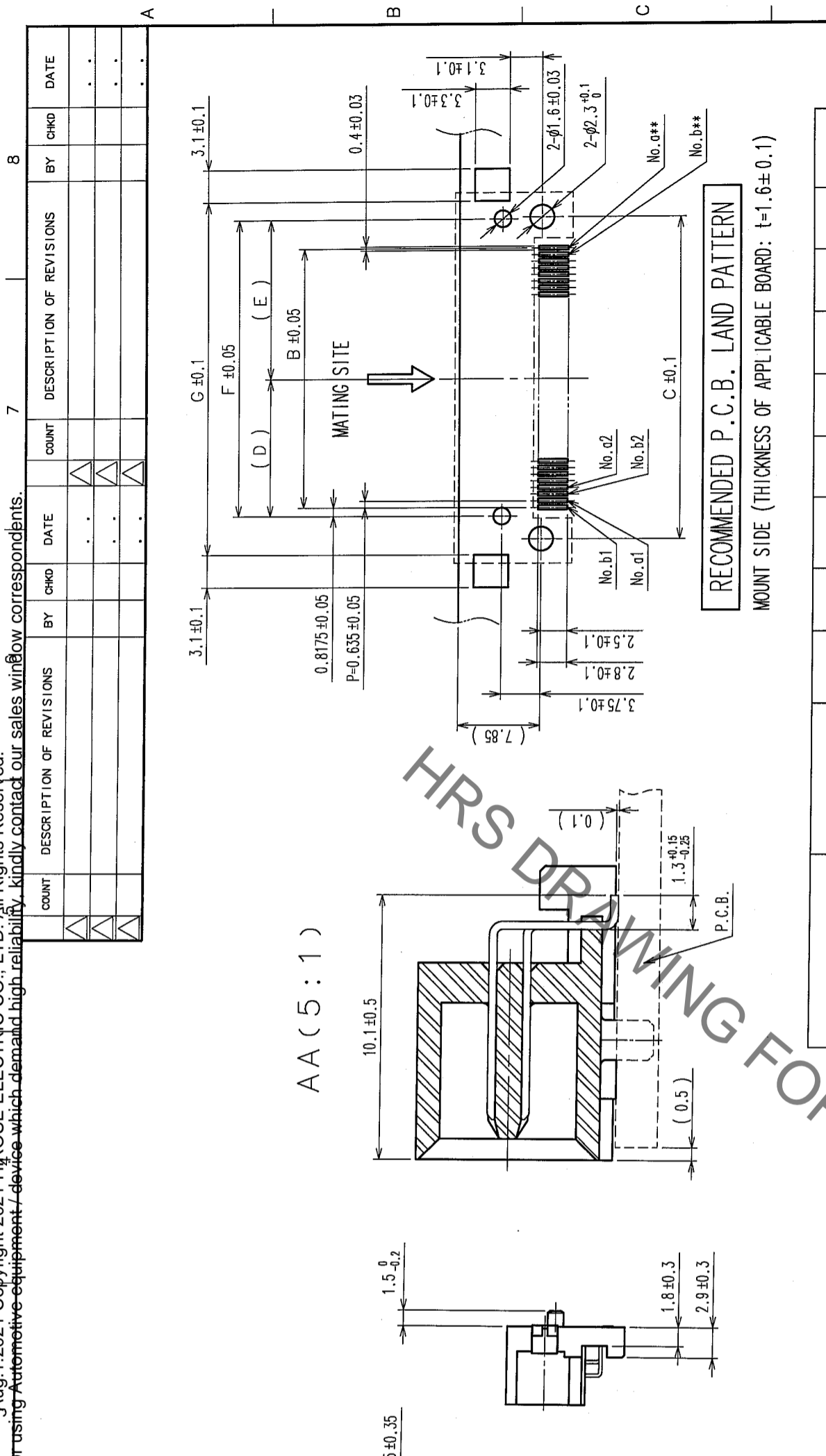
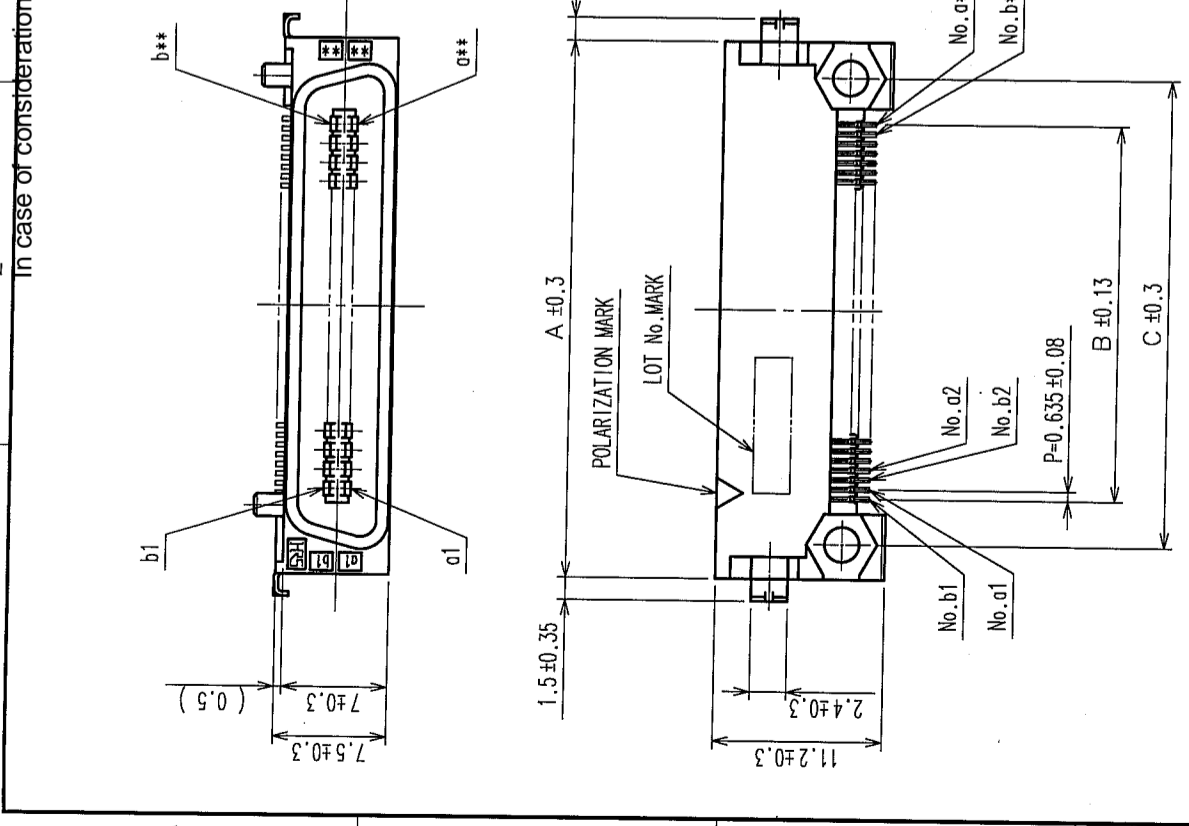
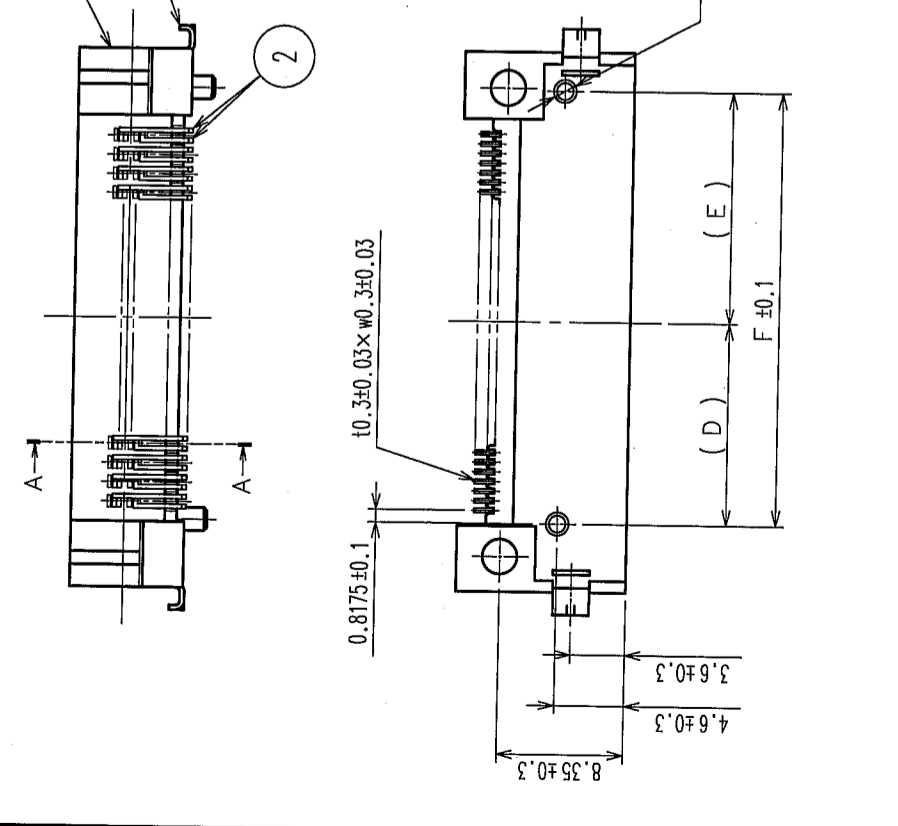


COUNT	DESCRIPTION OF REVISIONS	BY	CHKD	DATE	COUNT	DESCRIPTION OF REVISIONS	BY	CHKD	DATE



PART No.	CODE No.	A	B	C	D	E	F	G	**
FX2-20P-0.635SH(71)	CL572-2761-2-71	22.75	12.065	18.05	6.85	8.85	15.70	21.15	10
FX2-40P-0.635SH(71)	CL572-2763-8-71	35.45	24.765	30.75	13.20	15.20	28.40	33.85	20
FX2-52P-0.635SH(71)	CL572-2764-0-71	43.07	32.385	38.37	17.01	19.01	36.02	41.47	26
FX2-60P-0.635SH(71)	CL572-2765-3-71	48.15	37.465	43.45	19.55	21.55	41.10	46.55	30
FX2-80P-0.635SH(71)	CL572-2767-9-71	60.85	50.165	56.15	25.90	27.90	53.80	59.25	40
FX2-100P-0.635SH(71)	CL572-2768-1-71	73.55	62.865	68.85	32.25	34.25	66.50	71.95	50

NOTE 1. LEAD CO-PLANARITY SHALL BE 0.10 MAX.
 2. THE DIMENSIONS IN PARENTHESES ARE FOR REFERENCE.
 3. NUMBER OF CONTACTS.



NO.	MATERIAL	FINISH, REMARKS	NO.	MATERIAL	FINISH, REMARKS
3	BRASS	TIN-PLATING	2	BRASS	
1	POLYPHENYLENE SULFIDE	LIGHT BROWN (UL94V-0)			

CONTACT AREA: GOLD 0.2 μm min.
 LEAD AREA: TIN-PLATING 2 μm min.
 UNDER PLATING: NICKLE 1 μm min.

TO	
PCK	

DRAWING NO.	EDC3-152588-21
SCALE	FREE
UNITS	mm

DRAWN	T. YANAGISAWA
DESIGNED	J. Noda
CHECKED	K. Ogasawara
APPROVED	H. Okawa
RELEASED	

PART NO.	FX2-**-P-0.635SH(71)
DRAWING NO.	EDC3-152588-21
SCALE	FREE
UNITS	mm

CODE NO.	CL572
FORM NO.	229

HRS DRAWING FOR REFERENCE

X-ON Electronics

Largest Supplier of Electrical and Electronic Components

Click to view similar products for [Board to Board & Mezzanine Connectors](#) category:

Click to view products by [Hirose](#) manufacturer:

Other Similar products are found below :

[589158040000018](#) [FCN-230C068-11](#) [FCN-268F012-G/BD](#) [FCN-268F036-G/BD](#) [FCN-268M012-G/0D](#) [FCN-268M024-G/1D](#) [FCN-723J004/1](#) [MIS-048-01-F-D-DP-K](#) [832-10-034-10-001000](#) [FX4C-80S-1.27DSA](#) [FCN-214Q030-G/0](#) [FCN-234P048-G/0](#) [FCN-235D050-G/C](#) [2-22603-0](#) [AXG720047](#) [5031084030](#) [MIT-114-03-F-D-K](#) [55323-1519](#) [YFT-20-05-H-03-SB-K](#) [503308-3040](#) [026-6203-PDB](#) [027-6203-PDB](#) [069159702701000](#) [10123981-102LF](#) [101A10019X](#) [55650-0588-C](#) [68682-310LF](#) [68684-306](#) [75140-7012](#) [87471-650](#) [YTW-30-07-H-Q-410-140](#) [194261-1](#) [FCN-268F024-G0D](#) [10124054-515LF](#) [68685-603](#) [8-1616154-3](#) [MIS-019-01-F-D](#) [FCN-268M024-G/3D](#) [FCN-268M036-G/BD](#) [20021832-06016C1LF](#) [KX15-20KLDL-E1000E](#) [AXE810124](#) [FCN-214J100-G/0](#) [FCN-230C068-E/S](#) [AXE812124](#) [AXE816124](#) [AXE720127](#) [354184](#) [MIT-019-04-F-D-K](#) [P50-028-DDS-TG](#)