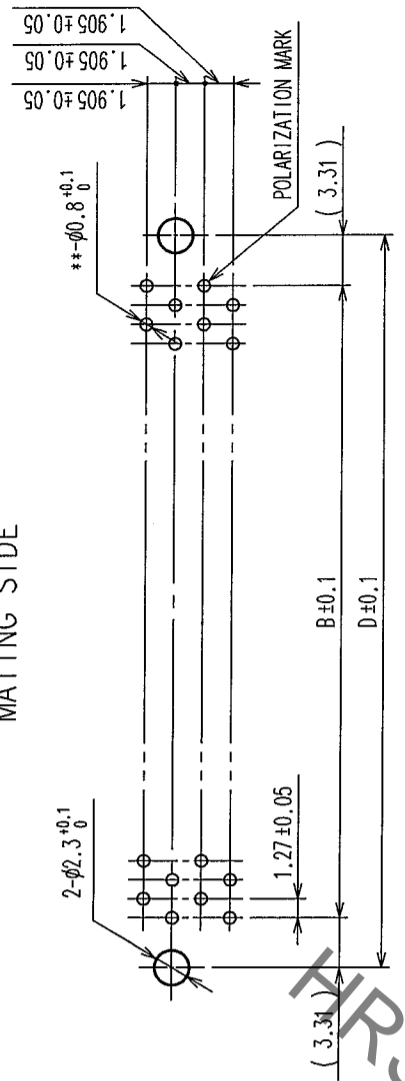


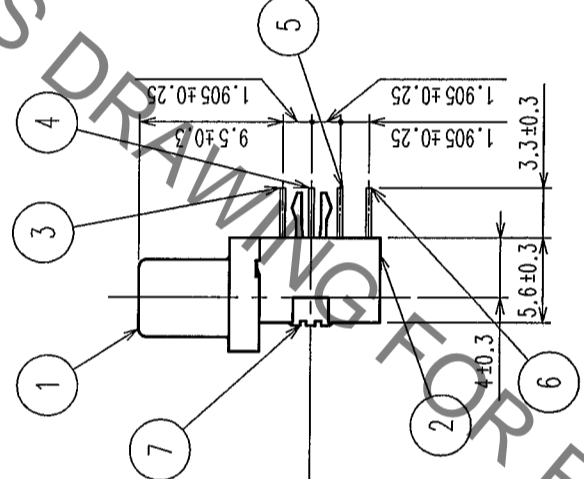
| COUNT | DESCRIPTION OF REVISIONS | BY | CHKD | DATE | COUNT | DESCRIPTION OF REVISIONS | BY | CHKD | DATE |
|-------|--------------------------|----|------|------|-------|--------------------------|----|------|------|
| △ | | | | | △ | | | | |
| △ | | | | | △ | | | | |
| △ | | | | | △ | | | | |

MATING SIDE



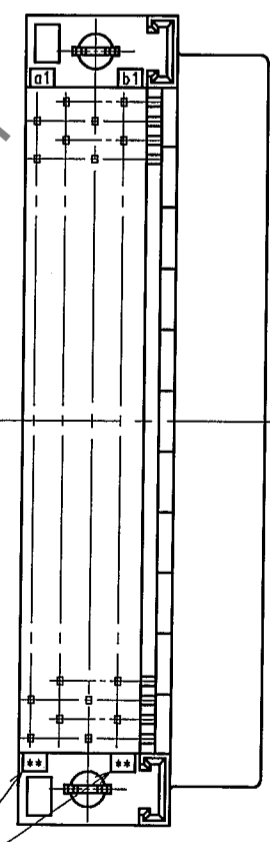
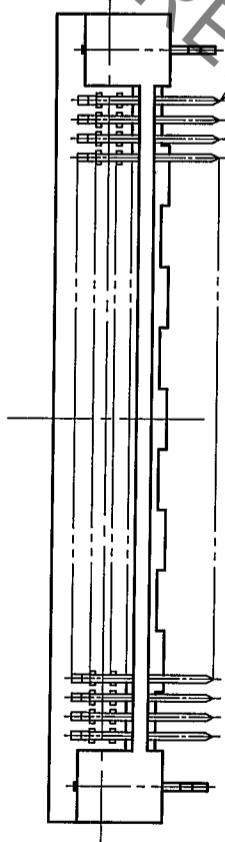
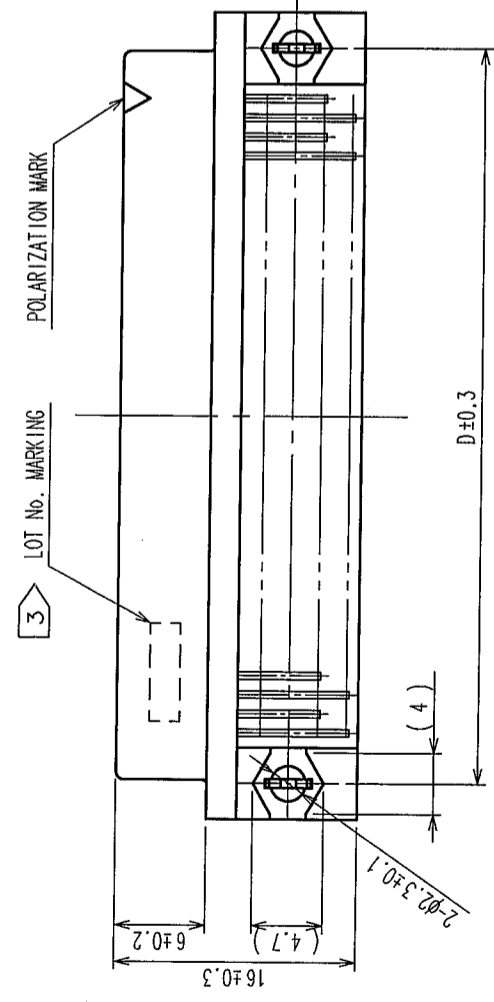
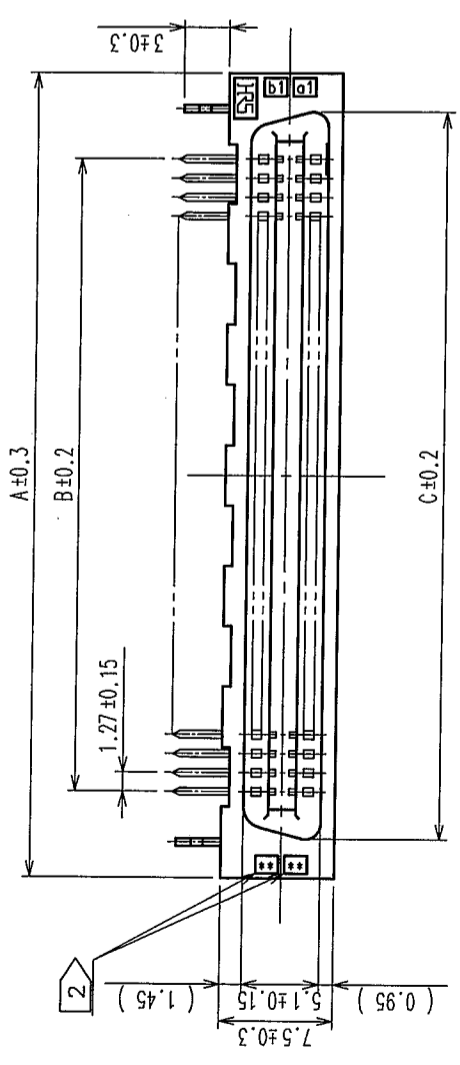
RECOMMENDED PC BOARD HOLE PATTERN (MOUNTING SIDE)

t=1.6



| HRS No. | PART No. | 1 | A | B | C | D | 2 |
|-----------------|----------------------|-----|-------|-------|-------|-------|----|
| CL572-2751-9-71 | FX2-20S-1.27DSL(71) | 20 | 22.75 | 11.43 | 17.63 | 18.05 | 10 |
| CL572-2752-1-71 | FX2-32S-1.27DSL(71) | 32 | 30.37 | 19.05 | 25.25 | 25.67 | 16 |
| CL572-2753-4-71 | FX2-40S-1.27DSL(71) | 40 | 35.45 | 24.13 | 30.33 | 30.75 | 20 |
| CL572-2754-7-71 | FX2-52S-1.27DSL(71) | 52 | 43.07 | 31.75 | 37.95 | 38.37 | 26 |
| CL572-2755-0-71 | FX2-60S-1.27DSL(71) | 60 | 48.15 | 36.83 | 43.03 | 43.45 | 30 |
| CL572-2756-2-71 | FX2-68S-1.27DSL(71) | 68 | 53.23 | 41.91 | 48.11 | 48.53 | 34 |
| CL572-2757-5-71 | FX2-80S-1.27DSL(71) | 80 | 60.85 | 49.53 | 55.73 | 56.15 | 40 |
| CL572-2758-8-71 | FX2-100S-1.27DSL(71) | 100 | 73.55 | 62.23 | 68.43 | 68.85 | 50 |
| CL572-2759-0-71 | FX2-120S-1.27DSL(71) | 120 | 86.25 | 74.93 | 81.13 | 81.55 | 60 |

NOTE
 1 NUMBER OF PIN.
 2 INDICATIONS.
 3 SURFACE INDICATED LOT NO. SHALL BE OPTIONAL.
 4 THE DIMENSIONS IN PARENTHESES ARE FOR REFERENCE.



| NO. | MATERIAL | FINISH, REMARKS | NO. | MATERIAL | FINISH, REMARKS |
|-----|-----------------|-----------------|-----|-----------------|-----------------|
| 7 | PHOSPHOR BRONZE | TIN PLATED | 3~6 | PHOSPHOR BRONZE | |
| 1,2 | POLYAMIDE | BLACK UL94V-0 | | | |

CONTACT AREA: GOLD 0.2μ m min
 DIP AREA: TIN-PLATING 2μ m min
 UNDER PLATING: NICKEL 2μ m min

| CODE NO. (OLD) | DRAWN | DESIGNED | CHECKED | APPROVED | RELEASED |
|----------------|-----------------|---------------|---------------|---------------|---------------|
| | <i>A. Saito</i> | <i>N. Doi</i> | <i>N. Doi</i> | <i>N. Doi</i> | <i>N. Doi</i> |
| | 05.03.25 | 05.03.25 | 05.03.25 | 05.03.25 | 05.03.25 |

DRAWING NO. EDC3-083296-21
 PART NO. FX2-**-S-1.27DSL(71)
 SCALE FREE
 UNITS mm
 CODE NO. CL572

| | |
|-----|--|
| TO | |
| PCK | |

X-ON Electronics

Largest Supplier of Electrical and Electronic Components

Click to view similar products for [Board to Board & Mezzanine Connectors](#) category:

Click to view products by [Hirose](#) manufacturer:

Other Similar products are found below :

[589158040000018](#) [MDF7C-18P-2.54DSA\(55\)](#) [FCN-230C068-11](#) [FCN-268F012-G/BD](#) [FCN-268F036-G/BD](#) [FCN-268M012-G/0D](#) [FCN-268M024-G/1D](#) [FCN-723J004/1](#) [MIS-048-01-F-D-DP-K](#) [832-10-034-10-001000](#) [FX4C-80S-1.27DSA](#) [FCN-214Q030-G/0](#) [FCN-234P048-G/0](#) [FCN-235D050-G/C](#) [210-93-314-41-105000](#) [2-22603-0](#) [MDF7-40DP-2.54DSA\(55\)](#) [AXG720047](#) [MIT-114-03-F-D-K](#) [55323-1519](#) [DF33-2P-3.3DSA\(24\)](#) [YFT-20-05-H-03-SB-K](#) [503308-3040](#) [026-6203-PDB](#) [027-6203-PDB](#) [069159702701000](#) [10123981-102LF](#) [101A10019X](#) [55650-0588-C](#) [68682-310LF](#) [68684-306](#) [75140-7012](#) [87471-650](#) [YTW-30-07-H-Q-410-140](#) [FCN-268F024-G0D](#) [10124054-515LF](#) [68685-603](#) [8-1616154-3](#) [MIS-019-01-F-D](#) [FCN-268M024-G/3D](#) [FCN-268M036-G/BD](#) [20021832-06016C1LF](#) [KX15-20KLDL-E1000E](#) [AXE810124](#) [FCN-214J100-G/0](#) [FCN-230C068-E/S](#) [AXE812124](#) [AXE816124](#) [AXE720127](#) [354184](#)