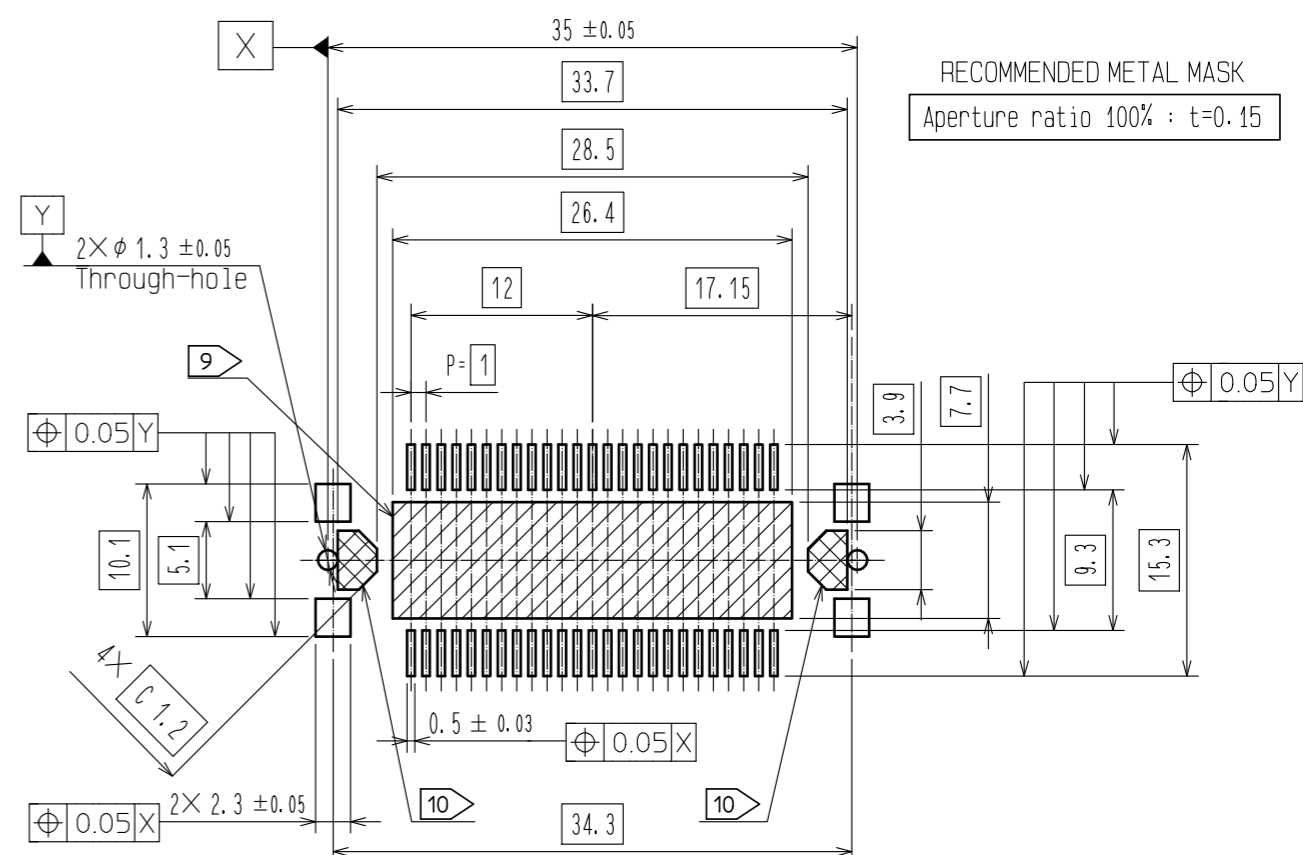
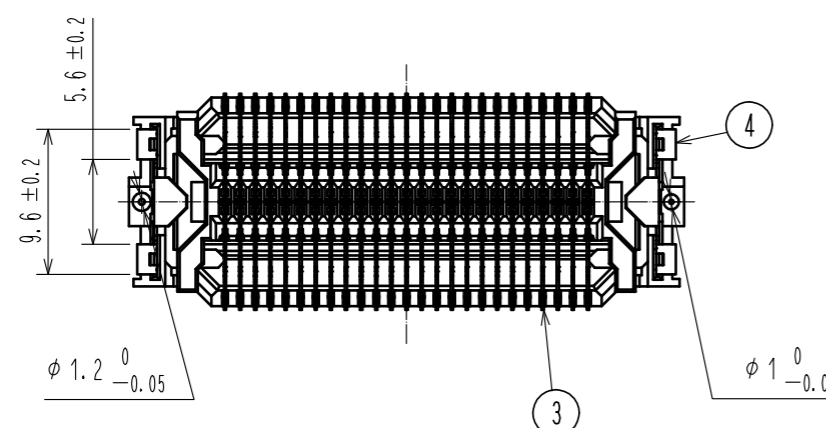
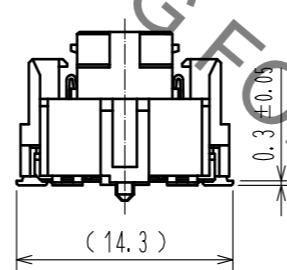
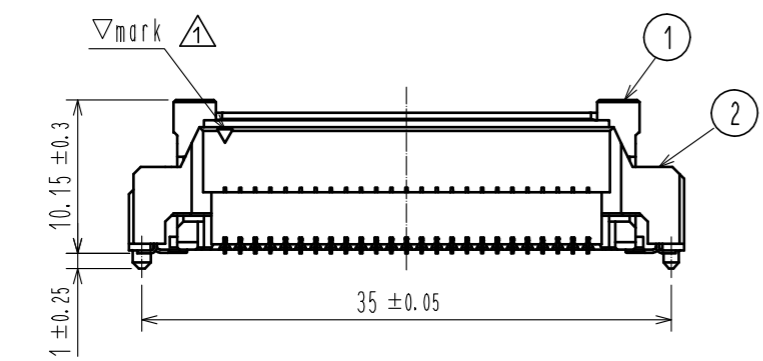
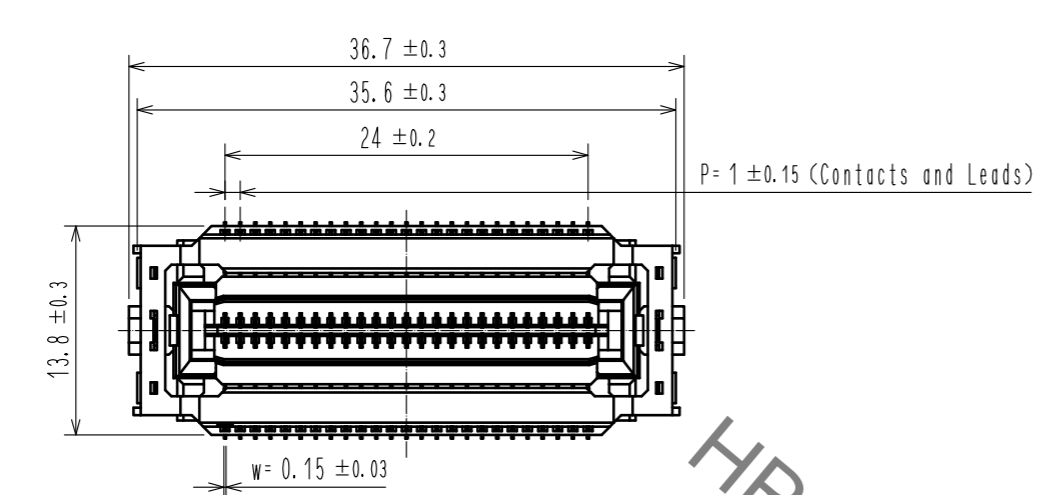


Jul.1.2022 Copyright 2022 HIROSE ELECTRIC CO., LTD. All Rights Reserved.
 In case of consideration for using Automotive equipment / device which demand high reliability, kindly contact our sales window correspondents.

RECOMMENDED LAND PATTERN DIMENSION OF PCB



RECOMMENDED METAL MASK
Aperture ratio 100% : t=0.15

- Note
- 1 Lead CO-Planarity is 0.1mm MAX.
 - 2 Floating range of this connector is ±0.7mm MAX.
The maximum cycle time of the floating operation is in accordance with the mating cycle of the connector.
 - 3 Please use the connectors within the specified PCB distance.
Please refer to the drawings of mating connector.
 - 4 Blemish and hit mark can be occurred through out the manufacturing process which doesn't affect quality level.
 - 5 The dimensions in parentheses are for references.
 - 6 This is packaged in embossed carrier tape. (250pcs/RL)
 - 7 It shows the vacuum pickup area. Remove the pickup cap before mating connectors.
 - 8 This connector has no polarity with the mating connector.
 - 9 Arrangement of via-hole is prohibited in area.
 - 10 Arrangement of pattern and via-hole are prohibited in area.

| | | |
|---|-----------------|--|
| 7 | POLYAMIDE | (CAP FOR VACUUM PICKUP) |
| 6 | POLYESTER | (EMBOSSED COVER TAPE) |
| 5 | POLYSTYRENE | (EMBOSSED CARRIER TAPE) |
| 4 | PHOSPHOR BRONZE | OVER PLATING :TIN-PLATING 1μm UNDER PLATING-NICKEL 0.5μm |
| 3 | COPPER ALLOY | CONTACT AREA :GOLD 0.1μm LEAD AREA :GOLD 0.03μm UNDER PLATING-NICKEL 1μm |

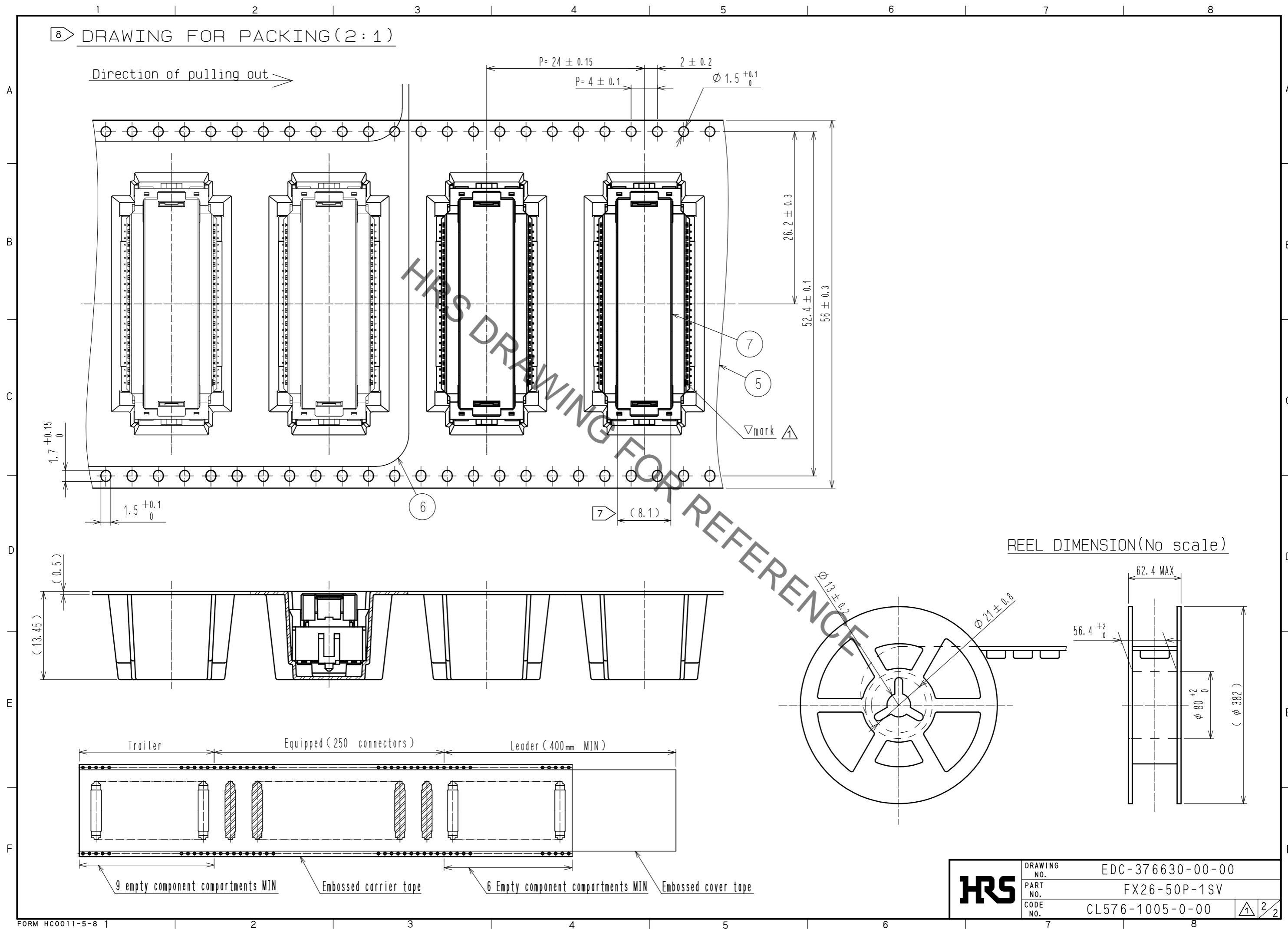
| | | |
|------|-----------|------------------|
| 1, 2 | POLYAMIDE | BLACK UL94V-0 |
| NO. | MATERIAL | FINISH . REMARKS |

| | | | | | | |
|-------|-------|-------|--------------------------|--------------|-------------|----------|
| UNITS | SCALE | COUNT | DESCRIPTION OF REVISIONS | DESIGNED | CHECKED | DATE |
| mm | 2 : 1 | 2 | DIS-F-00006551 | KI. YAMAZAKI | KN. SHIBUYA | 20200831 |

| | | | |
|----------|----------|-------------|------------------|
| APPROVED | 20200421 | DRAWING NO. | EDC-376630-00-00 |
| CHECKED | 20200421 | PART NO. | FX26-50P-1SV |
| DESIGNED | 20200421 | CODE NO. | CL576-1005-0-00 |
| DRAWN | 20200421 | | |

Jul.1.2022 Copyright 2022 HIROSE ELECTRIC CO., LTD. All Rights Reserved.
In case of consideration for using Automotive equipment / device which demand high reliability, kindly contact our sales window correspondents.

8 DRAWING FOR PACKING (2:1)



| | | |
|------------|-------------|------------------|
| HRS | DRAWING NO. | EDC-376630-00-00 |
| | PART NO. | FX26-50P-1SV |
| | CODE NO. | CL576-1005-0-00 |
| | | 2/2 |

X-ON Electronics

Largest Supplier of Electrical and Electronic Components

Click to view similar products for [Board to Board & Mezzanine Connectors](#) category:

Click to view products by [Hirose](#) manufacturer:

Other Similar products are found below :

[589158040000018](#) [MDF7C-18P-2.54DSA\(55\)](#) [FCN-268F036-G/BD](#) [FCN-268M012-G/0D](#) [FCN-268M024-G/1D](#) [MIS-048-01-F-D-DP-K](#)
[832-10-034-10-001000](#) [FX4C-80S-1.27DSA](#) [93696-330](#) [224393](#) [FCN-235D050-G/C](#) [210-93-314-41-105000](#) [MDF7-40DP-2.54DSA\(55\)](#)
[MIT-114-03-F-D-K](#) [55323-1519](#) [026-6203-PDB](#) [027-6203-PDB](#) [069159702701000](#) [101A10019X](#) [105061100000861+](#) [55650-0588-C](#) [75140-](#)
[7012](#) [87471-650](#) [YTW-30-07-H-Q-410-140](#) [FCN-268F024-G0D](#) [10124054-515LF](#) [68685-603](#) [8-1616154-3](#) [MIS-019-01-F-D](#) [YTE-](#)
[12002H6740](#) [541371078](#) [IL-WX-10PB-HF-B-E1000E](#) [YFT-50-05-H-10-SB-K](#) [FCN-214J100-G/0](#) [FCN-230C068-E/S](#) [354184](#) [MIT-019-04-](#)
[F-D-K](#) [P50-028-DDS-TG](#) [53309-2471](#) [54546-2071](#) [1586617-1](#) [504208-3010](#) [504208-5010](#) [504248-1010](#) [504248-1210](#) [504248-2010](#) [LST-](#)
[115-07-S-D](#) [LST-105-07-G-D](#) [9159005551906](#) [6258](#)