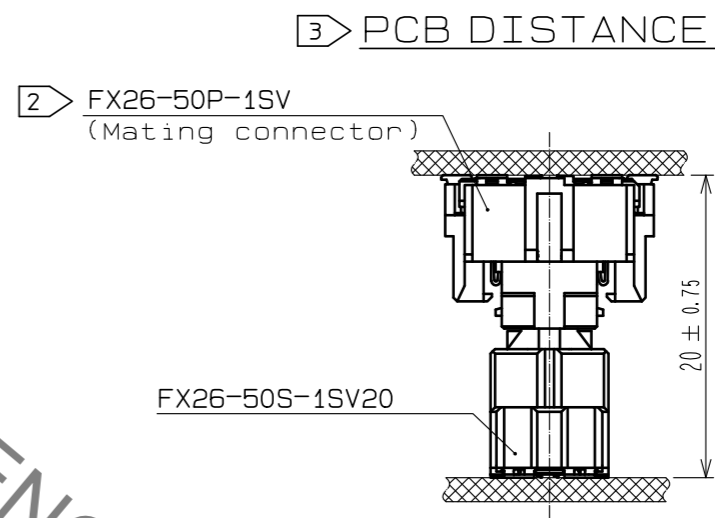
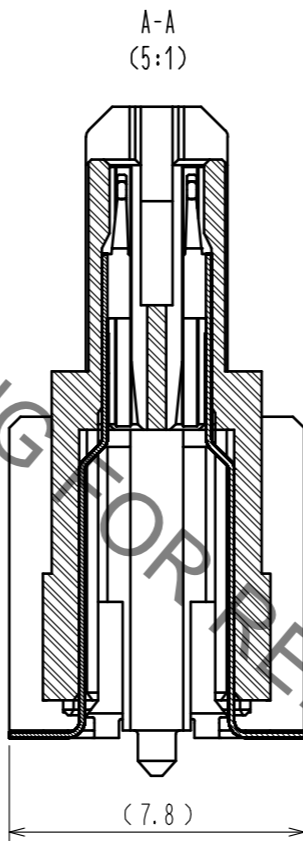
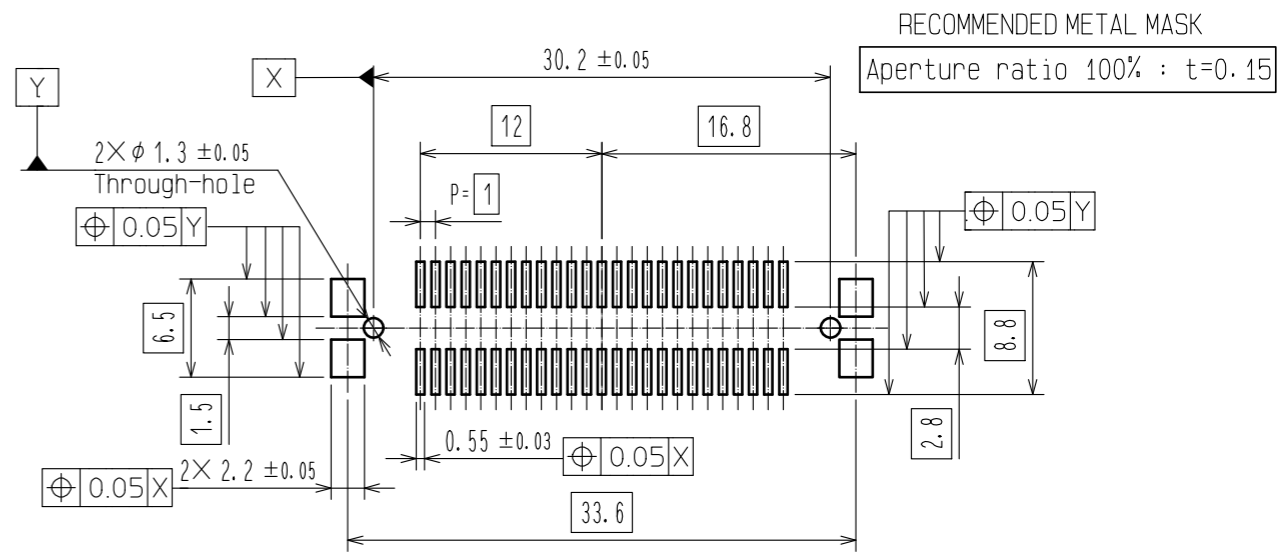
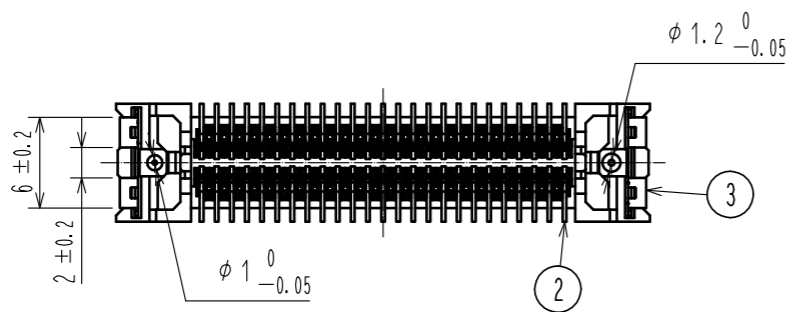
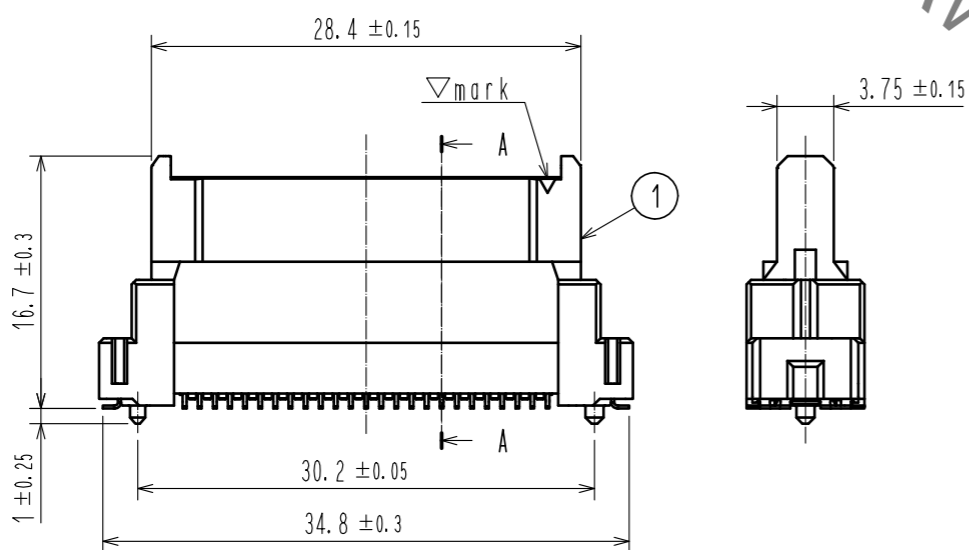
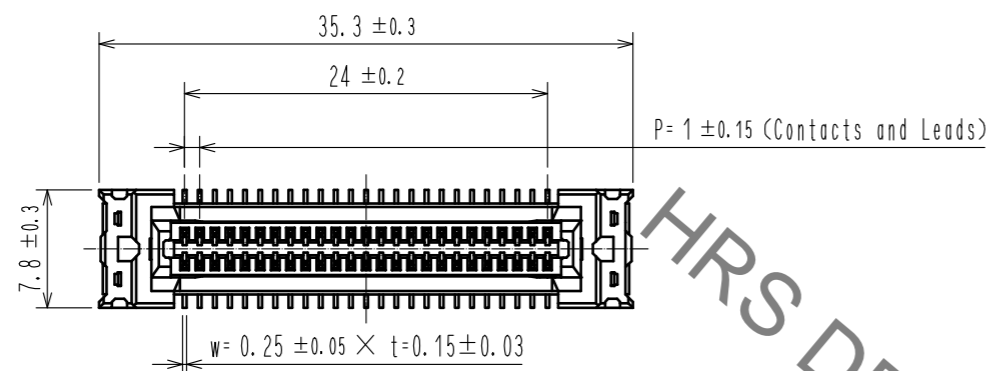


Jul.1.2022 Copyright 2022 HIROSE ELECTRIC CO., LTD. All Rights Reserved.
 In case of consideration for using Automotive equipment / device which demand high reliability, kindly contact our sales window correspondents.

RECOMMENDED LAND PATTERN DIMENSION OF PCB



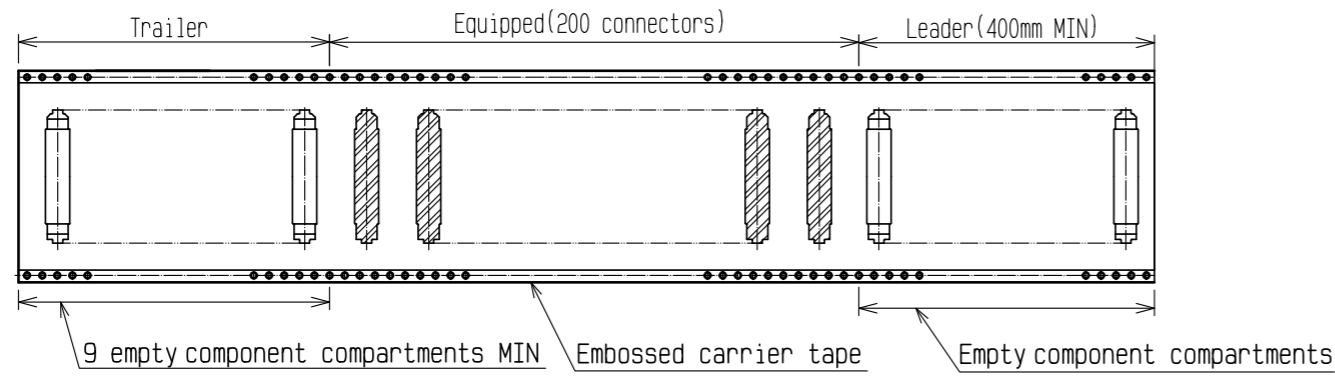
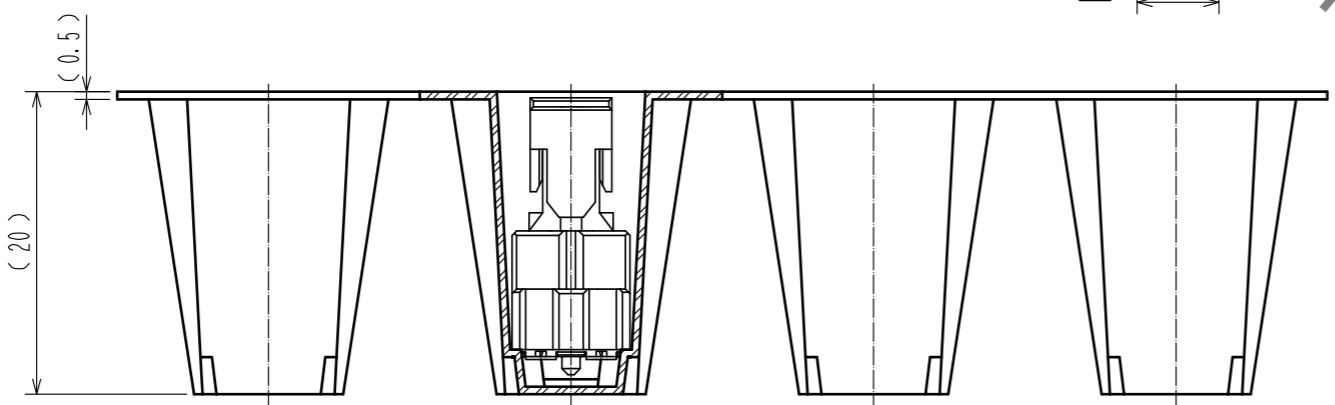
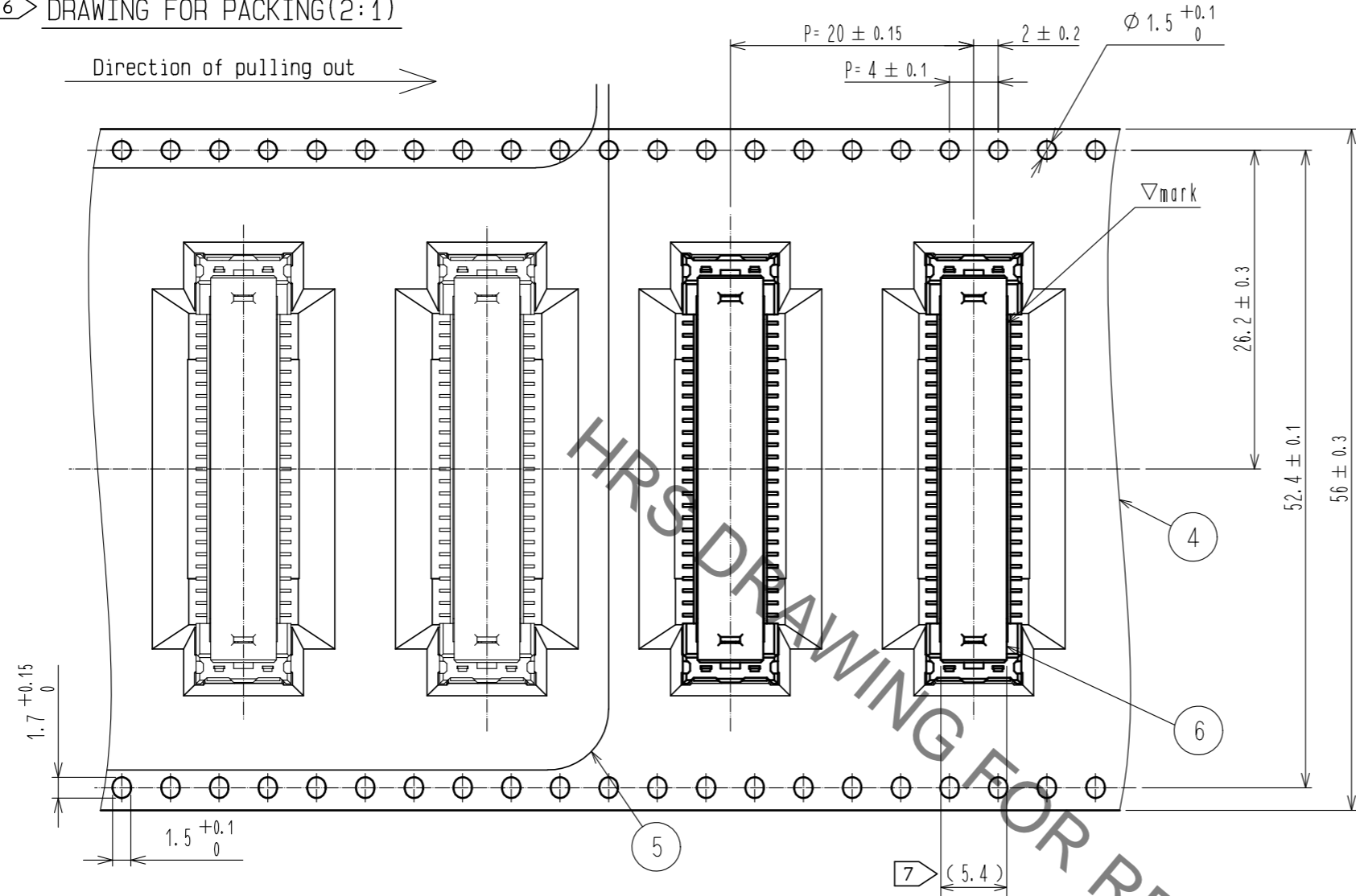
- Note
- 1 Lead CO-Planarity is 0.1mm MAX.
 - 2 Floating range of the mating connector is ± 0.7mm MAX.
The maximum cycle time of the floating operation is in accordance with the mating cycle of the connector.
 - 3 Please use the connectors within the specified PCB distance.
 - 4 Blemish and hit mark can be occurred through out the manufacturing process which doesn't affect quality level.
 - 5 The dimensions in parentheses are for references.
 - 6 This is packaged in embossed carrier tape. (200pcs/RL)
 - 7 It shows the vacuum pickup area.
Remove the pickup cap before mating connectors.
 - 8 This connector has no polarity with the mating connector.

6	POLYAMIDE	(CAP FOR VACUUM PICKUP)
5	POLYESTER	(EMBOSSED COVER TAPE)
4	POLYSTYRENE	(EMBOSSED CARRIER TAPE)
3	PHOSPHOR BRONZE	OVER PLATING : TIN-PLATING 1 μm
		UNDER PLATING: NICKEL 0.5 μm
2	COPPER ALLOY	CONTACT AREA : GOLD 0.1 μm
		LEAD AREA : GOLD 0.03 μm
		UNDER PLATING: NICKEL 1 μm

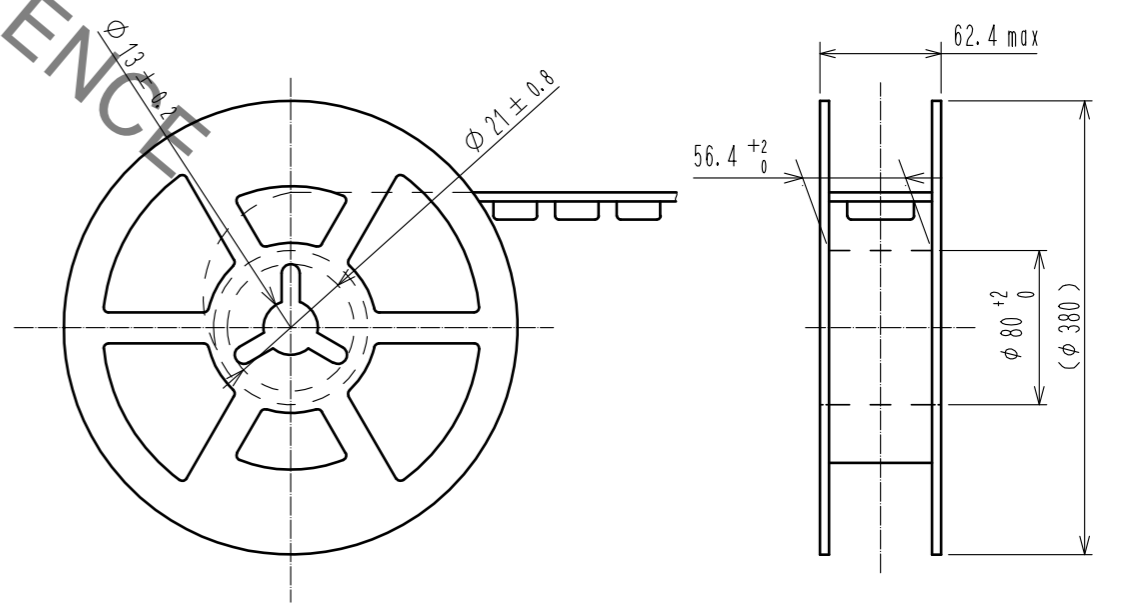
1	POLYAMIDE	BLACK UL94V-0						
NO.	MATERIAL	FINISH .	REMARKS	NO.	MATERIAL	FINISH .	REMARKS	
UNITS mm		SCALE 2 : 1	COUNT 	DESCRIPTION OF REVISIONS		DESIGNED	CHECKED	DATE
HRS HIROSE ELECTRIC CO., LTD.		APPROVED : HH. SHINDO	20201008	DRAWING NO. EDC-376651-00-00				
		CHECKED : HH. SHINDO	20201008	PART NO. FX26-50S-1SV20				
		DESIGNED : KI. YAMAZAKI	20201008	CODE NO. CL576-1305-0-00				
		DRAWN : KI. YAMAZAKI	20201008					

Jul.1.2022 Copyright 2022 HIROSE ELECTRIC CO., LTD. All Rights Reserved.
 In case of consideration for using Automotive equipment / device which demand high reliability, kindly contact our sales window correspondents.

6 DRAWING FOR PACKING(2:1)



REEL DIMENSION(No scale)



HRS	DRAWING NO.	EDC-376651-00-00	2/2
	PART NO.	FX26-50S-1SV20	
	CODE NO.	CL576-1305-0-00	

X-ON Electronics

Largest Supplier of Electrical and Electronic Components

Click to view similar products for [Board to Board & Mezzanine Connectors](#) category:

Click to view products by [Hirose](#) manufacturer:

Other Similar products are found below :

[589158040000018](#) [MDF7C-18P-2.54DSA\(55\)](#) [FCN-268F036-G/BD](#) [FCN-268M012-G/0D](#) [FCN-268M024-G/1D](#) [MIS-048-01-F-D-DP-K](#)
[832-10-034-10-001000](#) [FX4C-80S-1.27DSA](#) [93696-330](#) [224393](#) [FCN-235D050-G/C](#) [210-93-314-41-105000](#) [MDF7-40DP-2.54DSA\(55\)](#)
[MIT-114-03-F-D-K](#) [55323-1519](#) [026-6203-PDB](#) [027-6203-PDB](#) [069159702701000](#) [101A10019X](#) [105061100000861+](#) [55650-0588-C](#) [75140-](#)
[7012](#) [87471-650](#) [YTW-30-07-H-Q-410-140](#) [FCN-268F024-G0D](#) [10124054-515LF](#) [68685-603](#) [8-1616154-3](#) [MIS-019-01-F-D](#) [YTE-](#)
[12002H6740](#) [541371078](#) [IL-WX-10PB-HF-B-E1000E](#) [YFT-50-05-H-10-SB-K](#) [FCN-214J100-G/0](#) [FCN-230C068-E/S](#) [354184](#) [MIT-019-04-](#)
[F-D-K](#) [P50-028-DDS-TG](#) [53309-2471](#) [54546-2071](#) [1586617-1](#) [504208-3010](#) [504208-5010](#) [504248-1010](#) [504248-1210](#) [504248-2010](#) [LST-](#)
[115-07-S-D](#) [LST-105-07-G-D](#) [9159005551906](#) [6258](#)