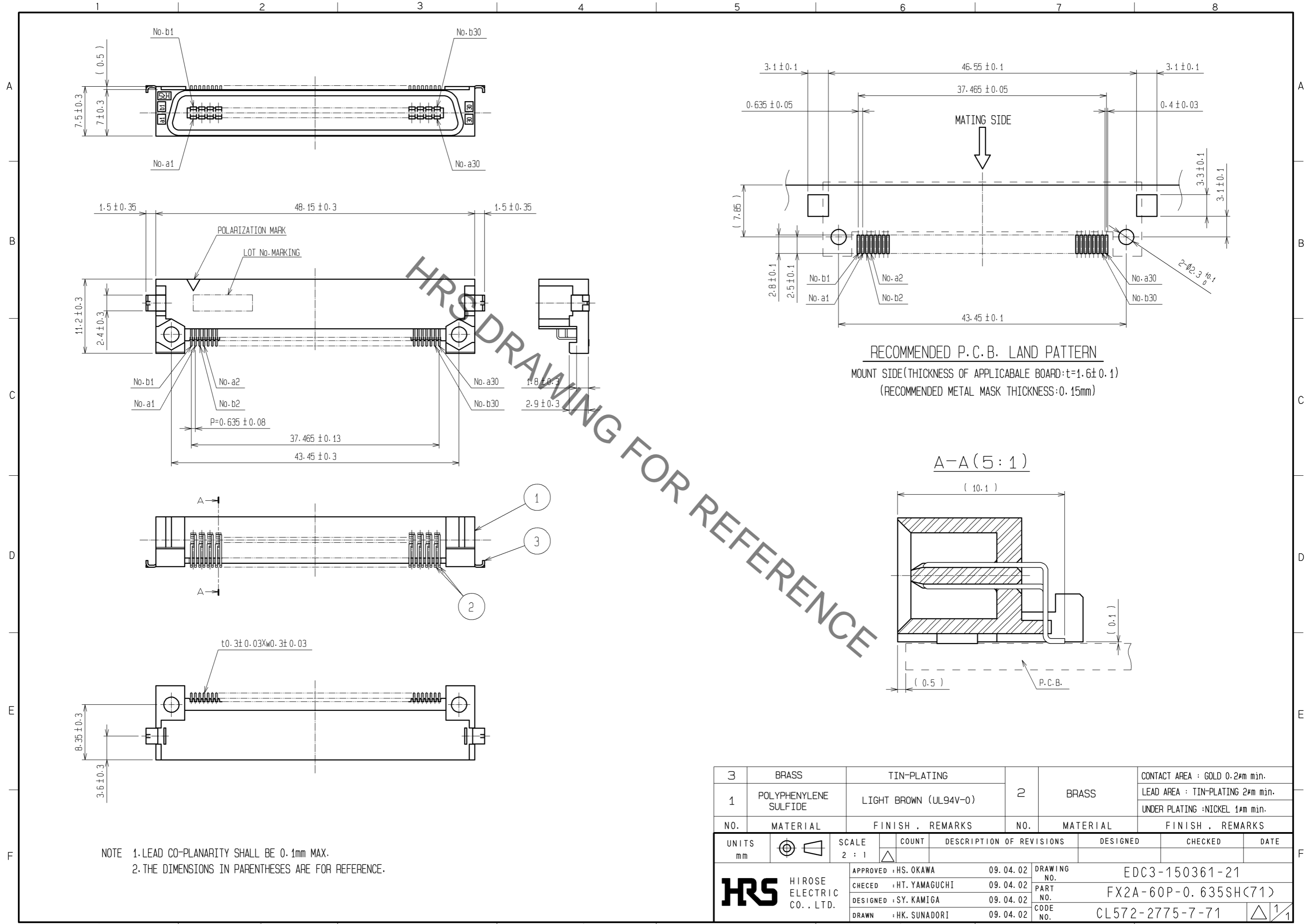
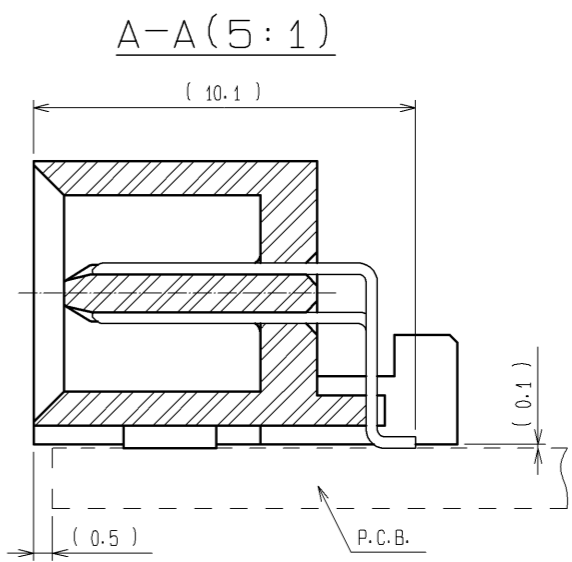


Sep.1.2021 Copyright 2021 HIROSE ELECTRIC CO., LTD. All Rights Reserved.
In case of consideration for using Automotive equipment / device which demand high reliability, kindly contact our sales window correspondents.



RECOMMENDED P.C.B. LAND PATTERN
MOUNT SIDE (THICKNESS OF APPLICABLE BOARD: $t=1.6 \pm 0.1$)
(RECOMMENDED METAL MASK THICKNESS: 0.15mm)



NOTE 1. LEAD CO-PLANARITY SHALL BE 0.1mm MAX.
2. THE DIMENSIONS IN PARENTHESES ARE FOR REFERENCE.

3	BRASS	TIN-PLATING	2	BRASS	CONTACT AREA : GOLD 0.2#m min.
1	POLYPHENYLENE SULFIDE	LIGHT BROWN (UL94V-0)			LEAD AREA : TIN-PLATING 2#m min.
					UNDER PLATING : NICKEL 1#m min.
NO.	MATERIAL	FINISH . REMARKS	NO.	MATERIAL	FINISH . REMARKS
UNITS		SCALE	COUNT	DESCRIPTION OF REVISIONS	DESIGNED
mm		2 : 1			CHECKED
					DATE
HRS HIROSE ELECTRIC CO., LTD.		APPROVED : HS. OKAWA	09. 04. 02	DRAWING NO. EDC3-150361-21	
		CHECED : HT. YAMAGUCHI	09. 04. 02	PART NO. FX2A-60P-0. 635SH(71)	
		DESIGNED : SY. KAMIGA	09. 04. 02	CODE NO. CL572-2775-7-71	
		DRAWN : HK. SUNADORI	09. 04. 02		

X-ON Electronics

Largest Supplier of Electrical and Electronic Components

Click to view similar products for [Board to Board & Mezzanine Connectors](#) category:

Click to view products by [Hirose](#) manufacturer:

Other Similar products are found below :

[589158040000018](#) [MDF7C-18P-2.54DSA\(55\)](#) [FCN-230C068-11](#) [FCN-268F012-G/BD](#) [FCN-268F036-G/BD](#) [FCN-268M012-G/0D](#) [FCN-268M024-G/1D](#) [FCN-723J004/1](#) [MIS-048-01-F-D-DP-K](#) [832-10-034-10-001000](#) [FX4C-80S-1.27DSA](#) [FCN-214Q030-G/0](#) [FCN-234P048-G/0](#) [FCN-235D050-G/C](#) [210-93-314-41-105000](#) [2-22603-0](#) [MDF7-40DP-2.54DSA\(55\)](#) [AXG720047](#) [MIT-114-03-F-D-K](#) [55323-1519](#) [DF33-2P-3.3DSA\(24\)](#) [YFT-20-05-H-03-SB-K](#) [503308-3040](#) [026-6203-PDB](#) [027-6203-PDB](#) [069159702701000](#) [10123981-102LF](#) [101A10019X](#) [55650-0588-C](#) [68682-310LF](#) [68684-306](#) [75140-7012](#) [87471-650](#) [YTW-30-07-H-Q-410-140](#) [FCN-268F024-G0D](#) [10124054-515LF](#) [68685-603](#) [8-1616154-3](#) [MIS-019-01-F-D](#) [FCN-268M024-G/3D](#) [FCN-268M036-G/BD](#) [20021832-06016C1LF](#) [KX15-20KLDL-E1000E](#) [AXE810124](#) [FCN-214J100-G/0](#) [FCN-230C068-E/S](#) [AXE812124](#) [AXE816124](#) [AXE720127](#) [354184](#)