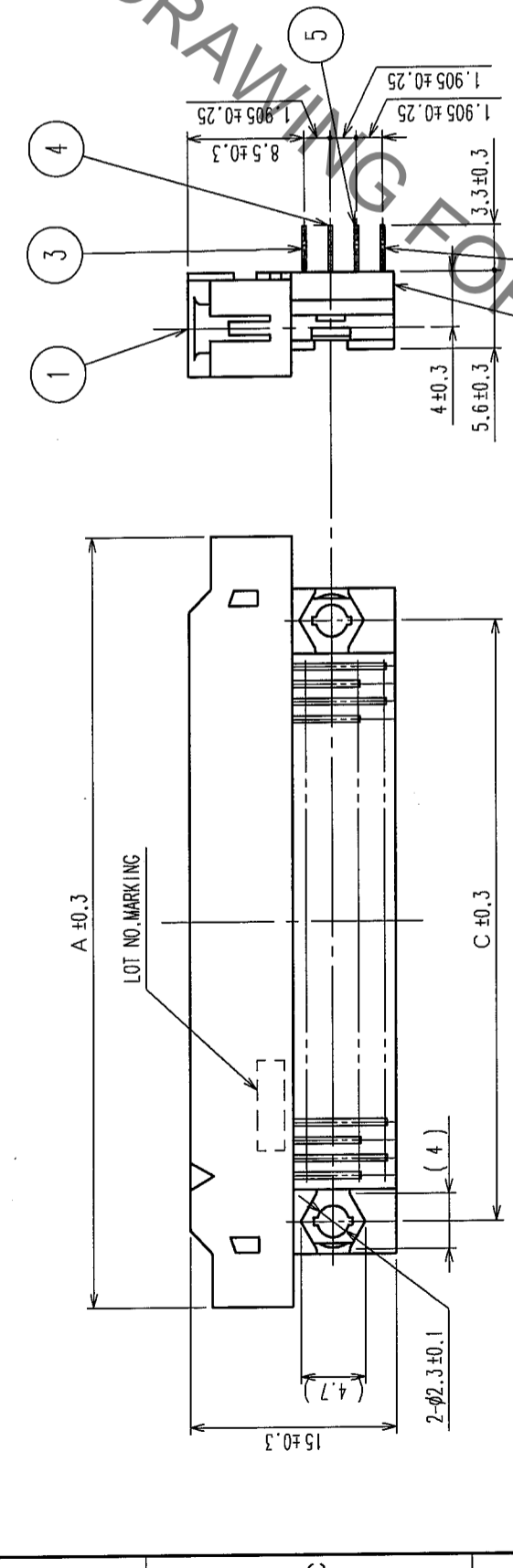
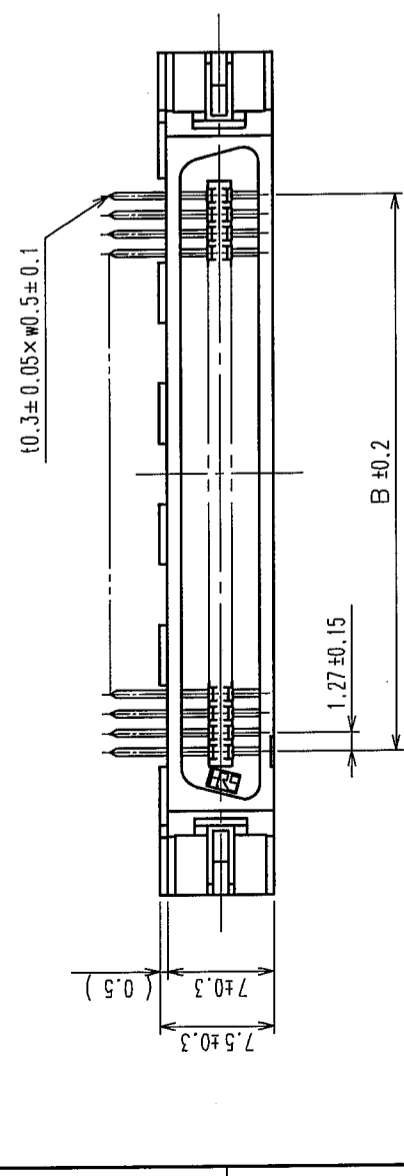


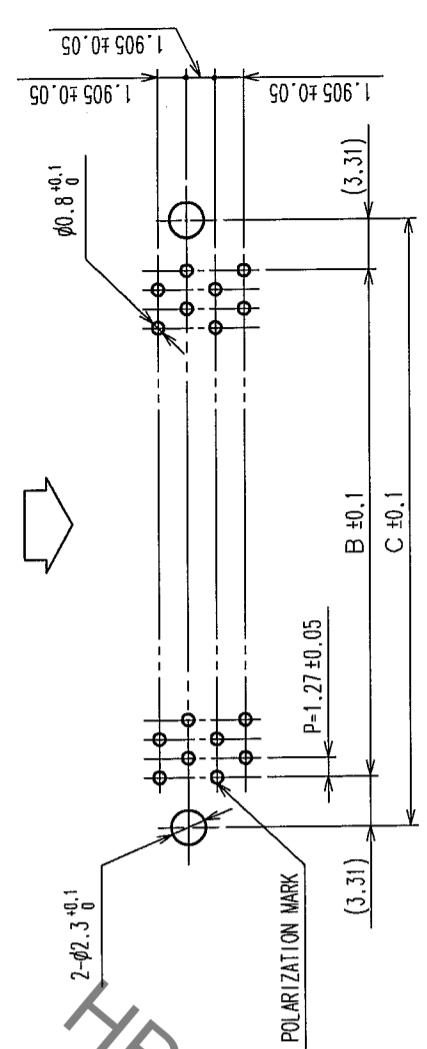
In case of consideration for using Automotive equipment / device which demand high reliability, kindly contact our sales window correspondents.

COUNT	DESCRIPTION OF REVISIONS	BY	CHKD	DATE	COUNT	DESCRIPTION OF REVISIONS	BY	CHKD	DATE



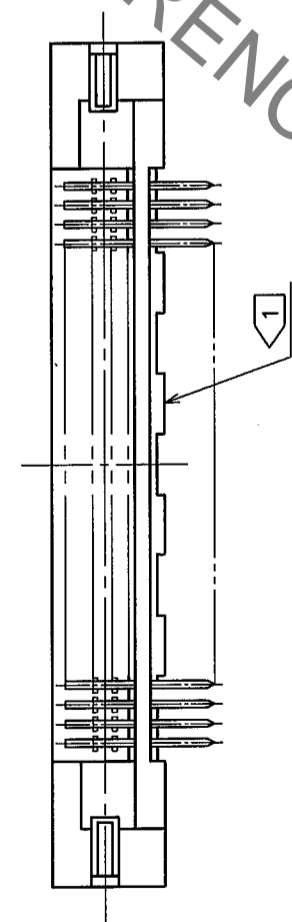
RECOMMEND PC BOARD HOLE PATTERN (MOUNTING SIDE)

MATING SIDE



PART No.	CODE No.	A	B	C	D
FX2B-20P-1.27DS(71)	CL572-0701-0-71	20	30.33	11.43	18.05
FX2B-32P-1.27DS(71)	CL572-0702-2-71	32	37.95	19.05	25.67
FX2B-40P-1.27DS(71)	CL572-0703-5-71	40	43.03	24.13	30.75
FX2B-52P-1.27DS(71)	CL572-0704-8-71	52	50.65	31.75	38.37
FX2B-60P-1.27DS(71)	CL572-0705-0-71	60	55.73	36.83	43.45
FX2B-68P-1.27DS(71)	CL572-0706-3-71	68	60.81	41.91	48.53
FX2B-80P-1.27DS(71)	CL572-0707-6-71	80	68.43	49.53	56.15
FX2B-100P-1.27DS(71)	CL572-0708-9-71	100	81.13	62.23	68.85

NOTES
 1. STANDOFF DIFFERS ACCORDING TO PRODUCTS.
 2. THE DIMENSIONS IN PARENTHESES ARE FOR REFERENCE.
 3. NUMBER OF PIN.



1, 2	POLYAMIDE	BLACK	UL94V-0	3~6	PHOSPHOR BRONZE	CONTACT AREA: GOLD 0.2μm min DIP AREA: TIN-PLATING 2μm min UNDER PLATING: NICKEL 2μm min
NO.	MATERIAL	FINISH, REMARKS	NO.	MATERIAL	FINISH, REMARKS	
CODE NO. (OLD) CL	DRAWN I. OKAYAMA		DESIGNED K. NAKAMURA	CHECKED H. OKAWA	APPROVED H. OKAWA	RELEASED
SCALE FREE	04.06.02		04.06.02	04.06.14	04.06.14	
UNITS mm	DRAWING NO. EDC3-082283-21		PART NO. FX2B-***P-1.27DS(71)			

TO	
PCK	

X-ON Electronics

Largest Supplier of Electrical and Electronic Components

Click to view similar products for [Board to Board & Mezzanine Connectors](#) category:

Click to view products by [Hirose](#) manufacturer:

Other Similar products are found below :

[589158040000018](#) [MDF7C-18P-2.54DSA\(55\)](#) [FCN-230C068-11](#) [FCN-268F012-G/BD](#) [FCN-268F036-G/BD](#) [FCN-268M012-G/0D](#) [FCN-268M024-G/1D](#) [FCN-723J004/1](#) [MIS-048-01-F-D-DP-K](#) [832-10-034-10-001000](#) [FX4C-80S-1.27DSA](#) [FCN-214Q030-G/0](#) [FCN-234P048-G/0](#) [FCN-235D050-G/C](#) [210-93-314-41-105000](#) [2-22603-0](#) [MDF7-40DP-2.54DSA\(55\)](#) [AXG720047](#) [MIT-114-03-F-D-K](#) [55323-1519](#) [DF33-2P-3.3DSA\(24\)](#) [YFT-20-05-H-03-SB-K](#) [503308-3040](#) [026-6203-PDB](#) [027-6203-PDB](#) [069159702701000](#) [10123981-102LF](#) [101A10019X](#) [55650-0588-C](#) [68682-310LF](#) [68684-306](#) [75140-7012](#) [87471-650](#) [YTW-30-07-H-Q-410-140](#) [FCN-268F024-G0D](#) [10124054-515LF](#) [68685-603](#) [8-1616154-3](#) [MIS-019-01-F-D](#) [FCN-268M024-G/3D](#) [FCN-268M036-G/BD](#) [20021832-06016C1LF](#) [KX15-20KLDL-E1000E](#) [AXE810124](#) [FCN-214J100-G/0](#) [FCN-230C068-E/S](#) [AXE812124](#) [AXE816124](#) [AXE720127](#) [354184](#)