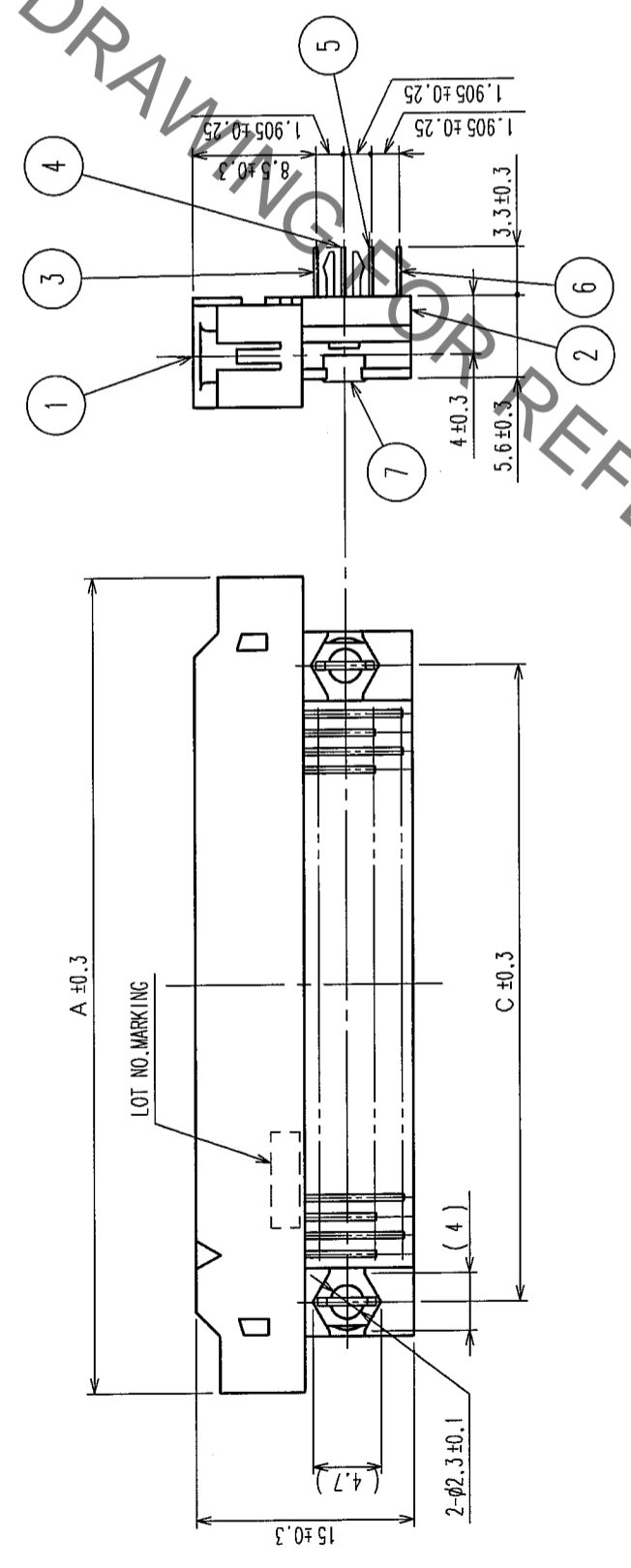
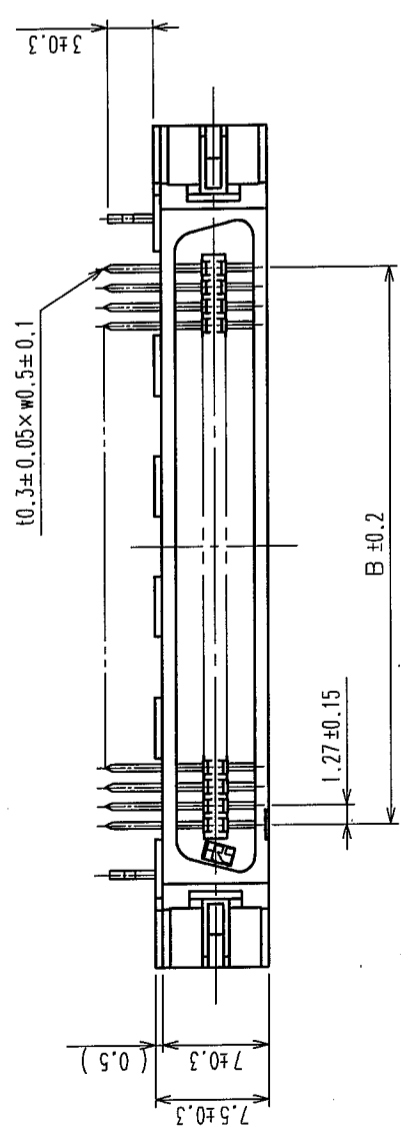
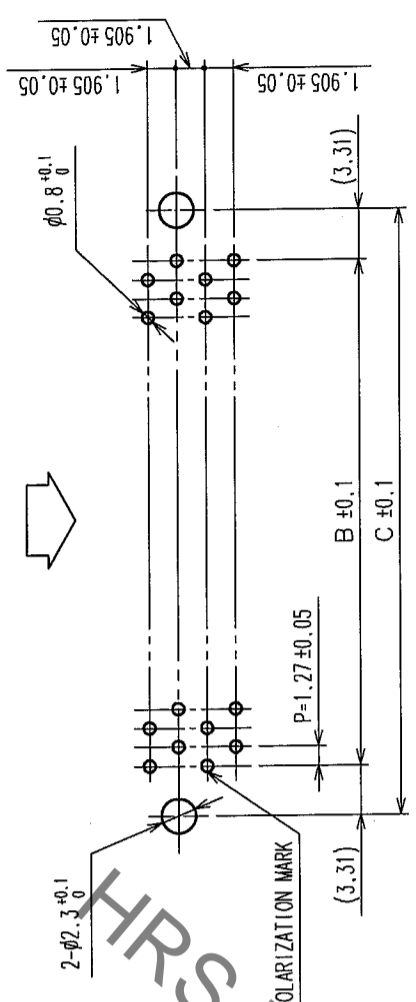


COUNT	DESCRIPTION OF REVISIONS	BY	CHKD	DATE	COUNT	DESCRIPTION OF REVISIONS	BY	CHKD	DATE



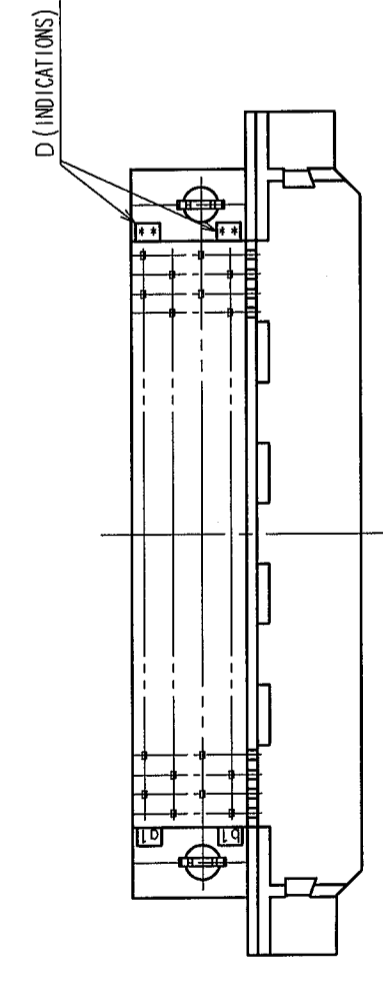
RECOMMEND PC BOARD HOLE PATTERN (MOUNTING SIDE)

MATING SIDE



PART No.	CODE No.	A	B	C	D
FX2B-20PA-1.27DSL(71)	CL572-0771-5-71	20	30.33	11.43	18.05
FX2B-32PA-1.27DSL(71)	CL572-0772-8-71	32	37.95	19.05	25.67
FX2B-40PA-1.27DSL(71)	CL572-0773-0-71	40	43.03	24.13	30.75
FX2B-52PA-1.27DSL(71)	CL572-0774-3-71	52	50.65	31.75	38.37
FX2B-60PA-1.27DSL(71)	CL572-0775-6-71	60	55.73	36.83	43.45
FX2B-68PA-1.27DSL(71)	CL572-0776-9-71	68	60.81	41.91	48.53
FX2B-80PA-1.27DSL(71)	CL572-0777-1-71	80	68.43	49.53	56.15
FX2B-100PA-1.27DSL(71)	CL572-0778-4-71	100	81.13	62.23	68.85

NOTES
 1 STANDOFF DIFFERS ACCORDING TO PRODUCTS.
 2 NUMBER OF PIN.
 3. THE DIMENSIONS IN PARENTHESES ARE FOR REFERENCE.

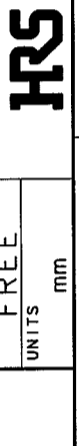


NO.	MATERIAL	FINISH	REMARKS	NO.	MATERIAL	FINISH	REMARKS
7	PHOSPHOR BRONZE	TIN-PLATING	3~6	BRASS	CONTACT AREA: GOLD FLASH		
1,2	POLYAMIDE	BLACK	UL94V-0		DIP AREA: TIN-PLATING 2μm min		
					UNDER PLATING: NICKEL 1μm min		

CODE NO. (OLD)	CL	CL	CL

DRAWING NO.	SCALE	UNITS	mm
EDC3-151041-21	FREE		

TO	PCK



PART NO.	CODE NO.
FX2B-**PA-1.27DSL(71)	CL572

X-ON Electronics

Largest Supplier of Electrical and Electronic Components

Click to view similar products for [Board to Board & Mezzanine Connectors](#) category:

Click to view products by [Hirose](#) manufacturer:

Other Similar products are found below :

[589158040000018](#) [MDF7C-18P-2.54DSA\(55\)](#) [FCN-230C068-11](#) [FCN-268F012-G/BD](#) [FCN-268F036-G/BD](#) [FCN-268M012-G/0D](#) [FCN-268M024-G/1D](#) [FCN-723J004/1](#) [MIS-048-01-F-D-DP-K](#) [832-10-034-10-001000](#) [FX4C-80S-1.27DSA](#) [FCN-214Q030-G/0](#) [FCN-234P048-G/0](#) [FCN-235D050-G/C](#) [210-93-314-41-105000](#) [2-22603-0](#) [MDF7-40DP-2.54DSA\(55\)](#) [AXG720047](#) [MIT-114-03-F-D-K](#) [55323-1519](#) [DF33-2P-3.3DSA\(24\)](#) [YFT-20-05-H-03-SB-K](#) [503308-3040](#) [026-6203-PDB](#) [027-6203-PDB](#) [069159702701000](#) [10123981-102LF](#) [101A10019X](#) [55650-0588-C](#) [68682-310LF](#) [68684-306](#) [75140-7012](#) [87471-650](#) [YTW-30-07-H-Q-410-140](#) [FCN-268F024-G0D](#) [10124054-515LF](#) [68685-603](#) [8-1616154-3](#) [MIS-019-01-F-D](#) [FCN-268M024-G/3D](#) [FCN-268M036-G/BD](#) [20021832-06016C1LF](#) [KX15-20KLDL-E1000E](#) [AXE810124](#) [FCN-214J100-G/0](#) [FCN-230C068-E/S](#) [AXE812124](#) [AXE816124](#) [AXE720127](#) [354184](#)