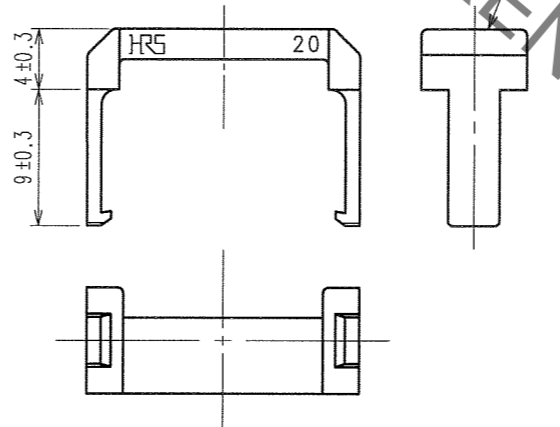
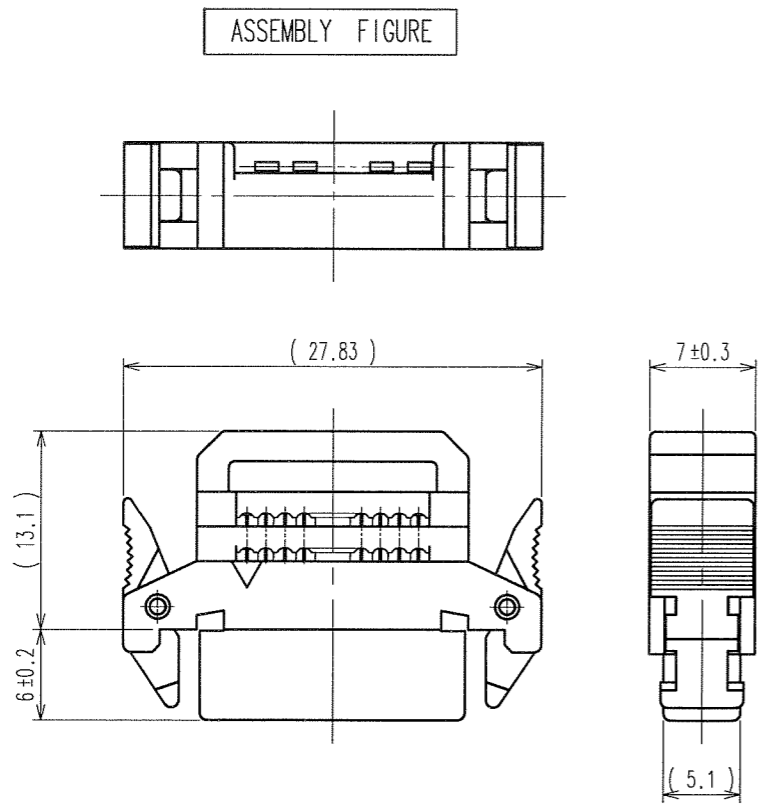
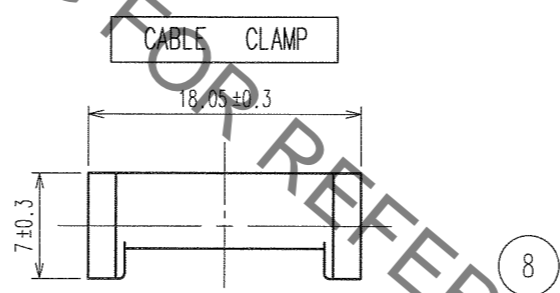
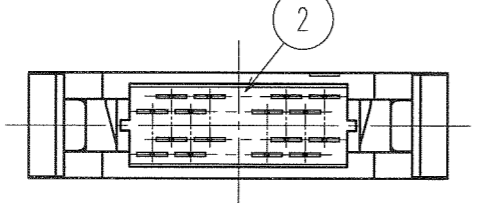
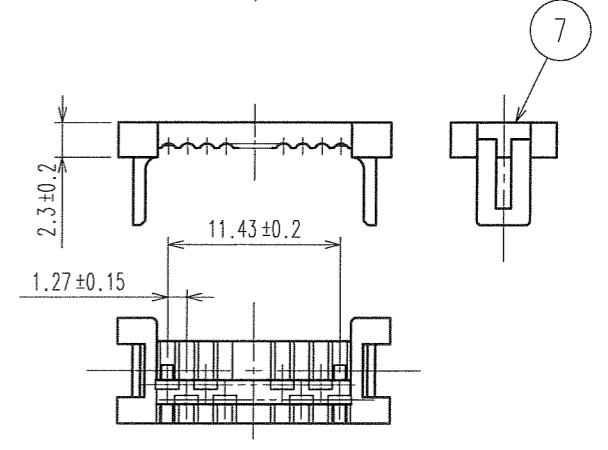
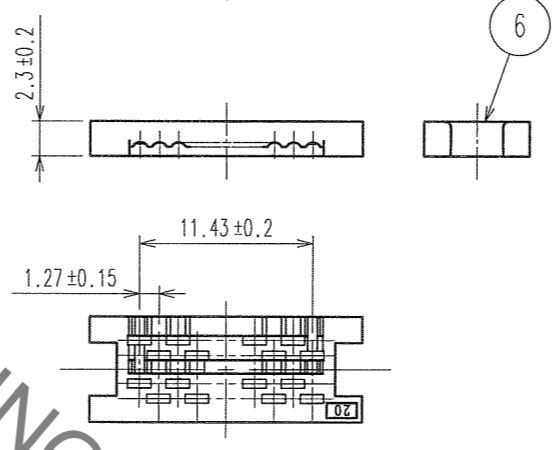
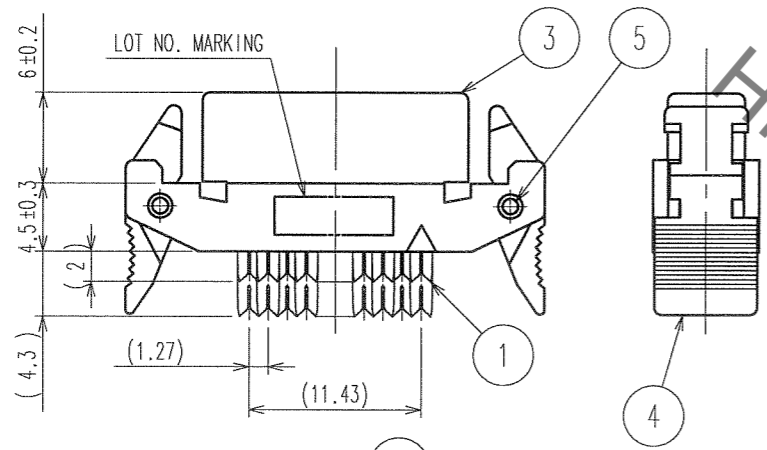
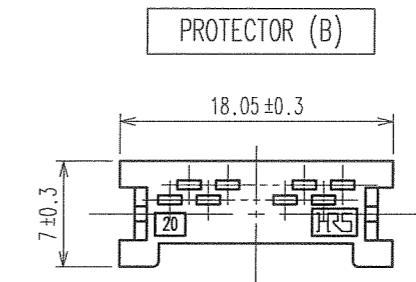
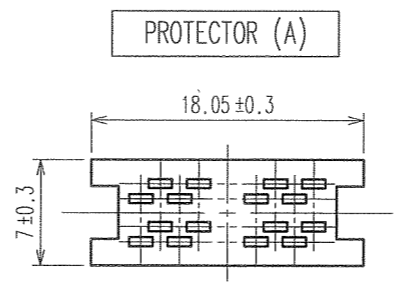
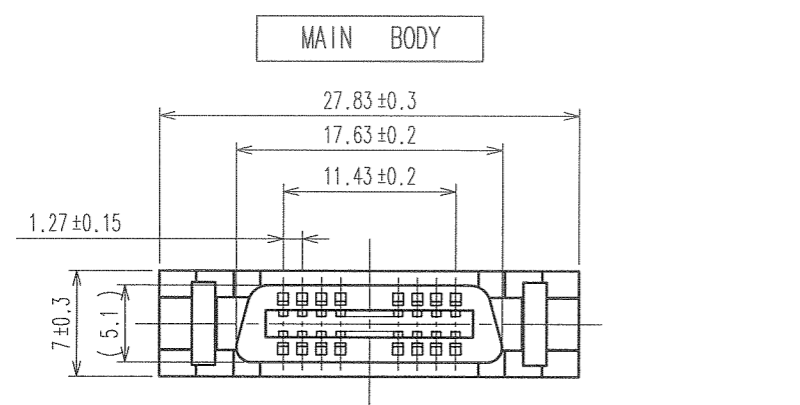


Sep.1.2021 Copyright 2021 HIROSE ELECTRIC CO., LTD. All Rights Reserved.
In case of consideration for using Automotive equipment / device which demand high reliability, kindly contact our sales window correspondents.

| COUNT | DESCRIPTION OF REVISIONS | BY | CHKD | DATE | COUNT | DESCRIPTION OF REVISIONS | BY | CHKD | DATE |
|-------|--------------------------|----|------|------|-------|--------------------------|----|------|------|
| △ | | | | .. | △ | | | | .. |
| △ | | | | .. | △ | | | | .. |
| △ | | | | .. | △ | | | | .. |



NOTE 1 COMPONENTS OF REF. NO.6~8 ARE APPENDED PRODUCTS.
2 THE DIMENSIONS IN PARENTHESES ARE FOR REFERENCE.

| NO. | MATERIAL | FINISH, REMARKS |
|-----|-----------------|--|
| 8 | PA | BLACK UL94V-0 |
| 6,7 | PBT | BLACK UL94V-0 |
| 5 | STAINLESS STEEL | |
| 2~4 | PBT | BLACK UL94V-0 |
| 1 | PHOSPHOR BRONZE | CONTACT AREA:GOLD FLASH UNDER PLATING:NICKEL 1μm min. |

TO
PCK

| | | | | | |
|----------------------|----------------------------------|--|--|---|----------------|
| CODE NO. (OLD) CL | DRAWN A. SUZUKAWA 06.05.18 | DESIGNED <i>M. Nakamura</i> 06.05.20 | CHECKED <i>(C. Ogawa)</i> 06.05.20 | APPROVED <i>H. Okawa</i> 06.05.20 | RELEASED .. |
| SCALE 2:1 | DRAWING NO. EDC3-150610 | PART NO. FX2B-20SA-1.27R | | CODE NO. CL572-0621-2 | |
| UNITS mm | HRS HIROSE ELECTRIC CO., LTD | | 1/1 | | |

X-ON Electronics

Largest Supplier of Electrical and Electronic Components

Click to view similar products for [Board to Board & Mezzanine Connectors](#) category:

Click to view products by [Hirose](#) manufacturer:

Other Similar products are found below :

[589158040000018](#) [MDF7C-18P-2.54DSA\(55\)](#) [FCN-230C068-11](#) [FCN-268F012-G/BD](#) [FCN-268F036-G/BD](#) [FCN-268M012-G/0D](#) [FCN-268M024-G/1D](#) [FCN-723J004/1](#) [MIS-048-01-F-D-DP-K](#) [832-10-034-10-001000](#) [FX4C-80S-1.27DSA](#) [FCN-214Q030-G/0](#) [FCN-234P048-G/0](#) [FCN-235D050-G/C](#) [210-93-314-41-105000](#) [2-22603-0](#) [MDF7-40DP-2.54DSA\(55\)](#) [AXG720047](#) [MIT-114-03-F-D-K](#) [55323-1519](#) [DF33-2P-3.3DSA\(24\)](#) [YFT-20-05-H-03-SB-K](#) [503308-3040](#) [026-6203-PDB](#) [027-6203-PDB](#) [069159702701000](#) [10123981-102LF](#) [101A10019X](#) [55650-0588-C](#) [68682-310LF](#) [68684-306](#) [75140-7012](#) [87471-650](#) [YTW-30-07-H-Q-410-140](#) [FCN-268F024-G0D](#) [10124054-515LF](#) [68685-603](#) [8-1616154-3](#) [MIS-019-01-F-D](#) [FCN-268M024-G/3D](#) [FCN-268M036-G/BD](#) [20021832-06016C1LF](#) [KX15-20KLDL-E1000E](#) [AXE810124](#) [FCN-214J100-G/0](#) [FCN-230C068-E/S](#) [AXE812124](#) [AXE816124](#) [AXE720127](#) [354184](#)