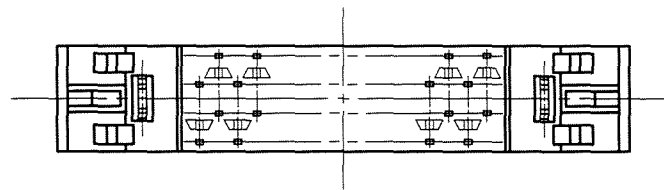
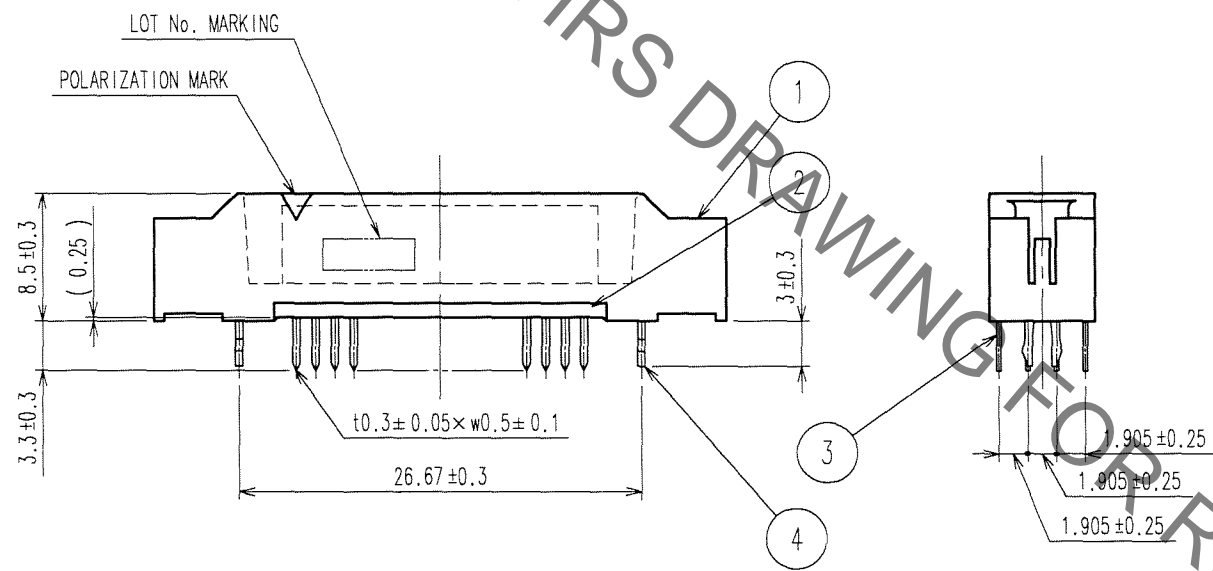
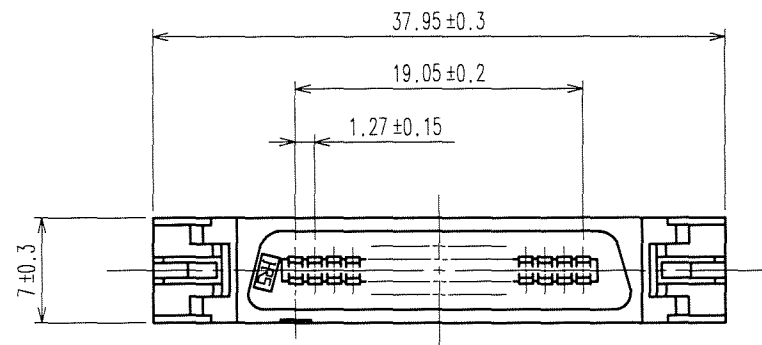


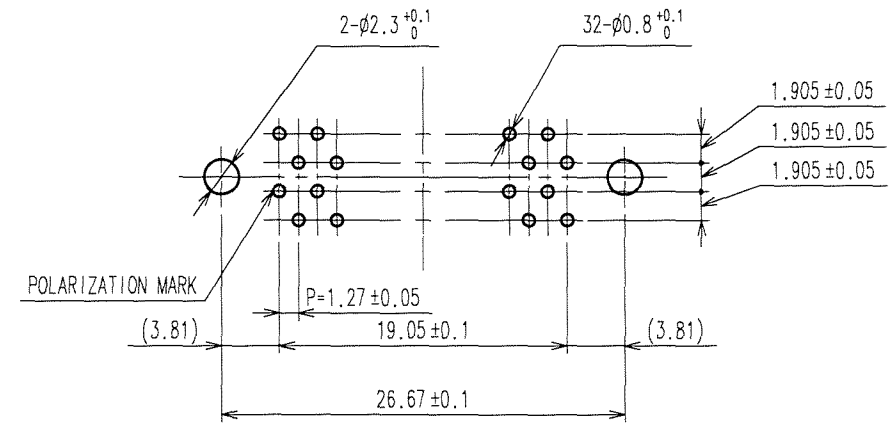
Sep.1.2021 Copyright 2021 HIROSE ELECTRIC CO., LTD. All Rights Reserved.
In case of consideration for using Automotive equipment / device which demand high reliability, kindly contact our sales window correspondents.

TO
PCK

| COUNT | DESCRIPTION OF REVISIONS | BY | CHKD | DATE | COUNT | DESCRIPTION OF REVISIONS | BY | CHKD | DATE |
|-------|--------------------------|----|------|------|-------|--------------------------|----|------|------|
| | | | | | | | | | |
| | | | | | | | | | |
| | | | | | | | | | |



RECOMMENDED PC BOARD HOLE PATTERN(MOUNTING SIDE)



HRS DRAWING FOR REFERENCE

NOTE 1 THE DIMENSIONS IN PARENTHESES ARE FOR REFERENCE.

| 4 | PHOSPHOR BRONZE | TIN-PLATING | 3 | PHOSPHOR BRONZE | CONTACT AREA:GOLD 0.2 μ m min. |
|-----|-----------------|-----------------|-----|-----------------|--------------------------------|
| 1,2 | POLYAMIDE | BLACK UL94V-0 | | | DIP AREA:TIN-PLATING 2μ m min. |
| | | | | | UNDER PLATING:NICKEL 2μ m min. |
| NO. | MATERIAL | FINISH, REMARKS | NO. | MATERIAL | FINISH, REMARKS |

| | | | | | |
|----------------------|-----------------------------------|---|---|--|----------|
| CODE NO. (OLD) CL | DRAWN A. SUZUKAWA '06.04.04 | DESIGNED <i>H. Nakamura</i> '06.04.13 | CHECKED <i>H. Ozawa</i> '06.04.13 | APPROVED <i>H. Okawa</i> '06.04.13 | RELEASED |
|----------------------|-----------------------------------|---|---|--|----------|

| | | |
|----------------|-------------------------------------|-----------------------------------|
| SCALE 2 : 1 | DRAWING NO. EDC3-083533-21 | PART NO. FX2B-32P-1.27DSAL(71) |
| UNITS mm | HRS HIROSE ELECTRIC CO., LTD | CODE NO. CL572-0852-5-71 |

X-ON Electronics

Largest Supplier of Electrical and Electronic Components

Click to view similar products for [Board to Board & Mezzanine Connectors](#) category:

Click to view products by [Hirose](#) manufacturer:

Other Similar products are found below :

[589158040000018](#) [MDF7C-18P-2.54DSA\(55\)](#) [FCN-230C068-11](#) [FCN-268F012-G/BD](#) [FCN-268F036-G/BD](#) [FCN-268M012-G/0D](#) [FCN-268M024-G/1D](#) [FCN-723J004/1](#) [MIS-048-01-F-D-DP-K](#) [832-10-034-10-001000](#) [FX4C-80S-1.27DSA](#) [FCN-214Q030-G/0](#) [FCN-234P048-G/0](#) [FCN-235D050-G/C](#) [210-93-314-41-105000](#) [2-22603-0](#) [MDF7-40DP-2.54DSA\(55\)](#) [AXG720047](#) [MIT-114-03-F-D-K](#) [55323-1519](#) [DF33-2P-3.3DSA\(24\)](#) [YFT-20-05-H-03-SB-K](#) [503308-3040](#) [026-6203-PDB](#) [027-6203-PDB](#) [069159702701000](#) [10123981-102LF](#) [101A10019X](#) [55650-0588-C](#) [68682-310LF](#) [68684-306](#) [75140-7012](#) [87471-650](#) [YTW-30-07-H-Q-410-140](#) [FCN-268F024-G0D](#) [10124054-515LF](#) [68685-603](#) [8-1616154-3](#) [MIS-019-01-F-D](#) [FCN-268M024-G/3D](#) [FCN-268M036-G/BD](#) [20021832-06016C1LF](#) [KX15-20KLDL-E1000E](#) [AXE810124](#) [FCN-214J100-G/0](#) [FCN-230C068-E/S](#) [AXE812124](#) [AXE816124](#) [AXE720127](#) [354184](#)