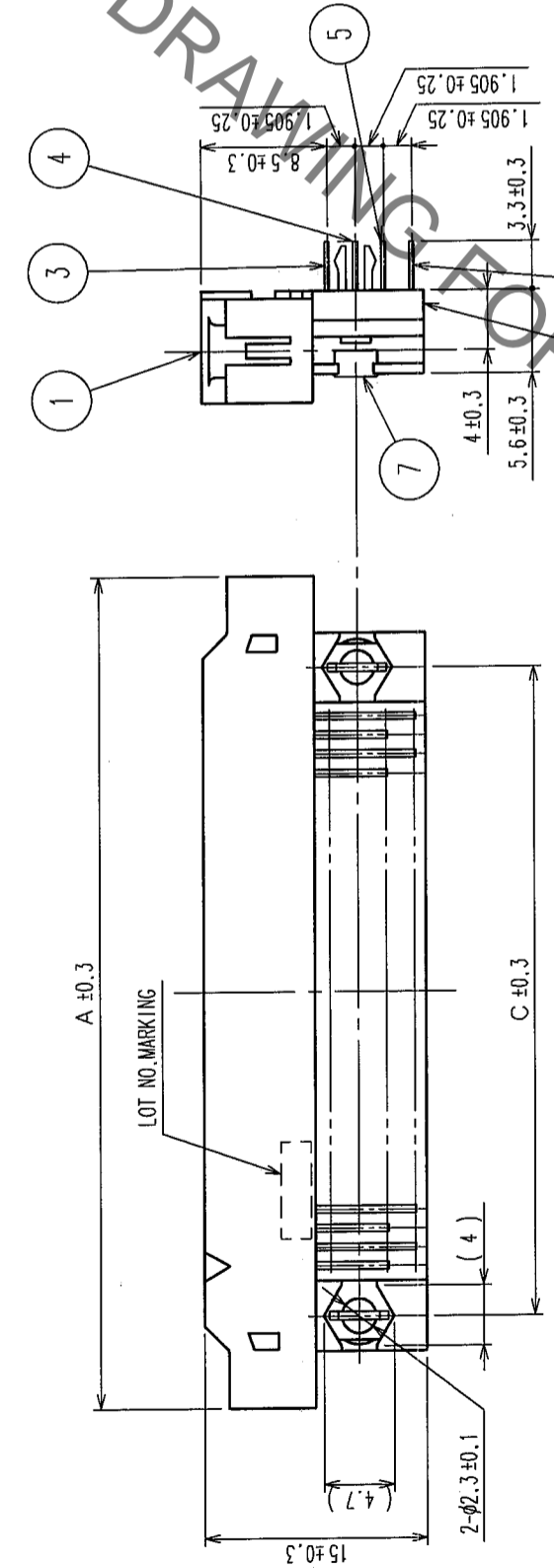
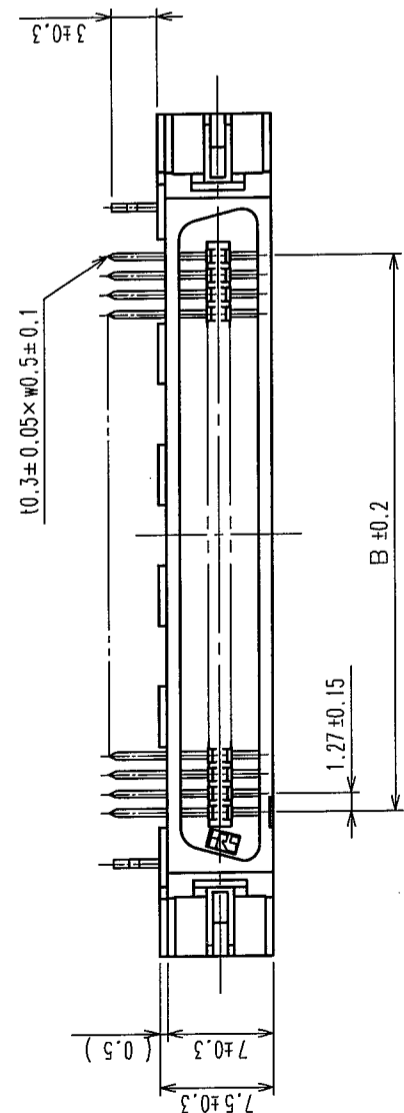


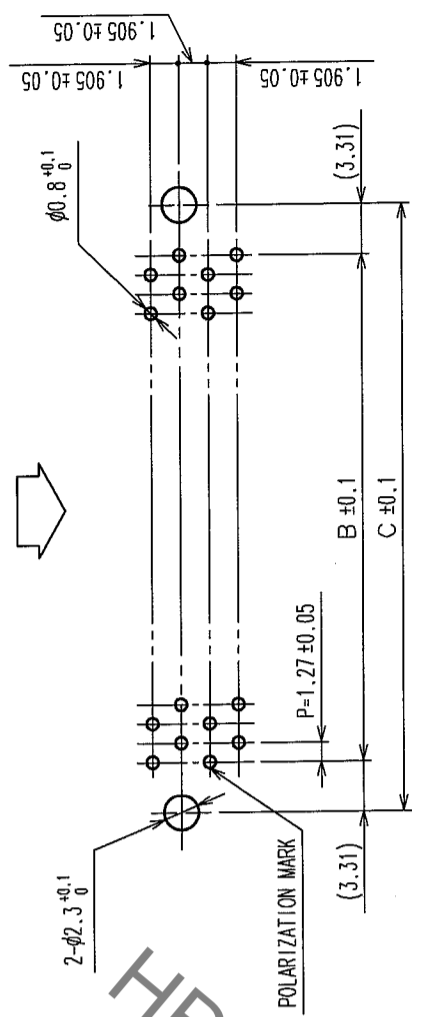
Aug.1.2021 Copyright 2021 HIROSE ELECTRIC CO., LTD. All Rights Reserved.
 In case of consideration for using Automotive equipment / device which demand high reliability, kindly contact our sales window correspondents.

COUNT	DESCRIPTION OF REVISIONS	BY	CHKD	DATE	COUNT	DESCRIPTION OF REVISIONS	BY	CHKD	DATE



RECOMMEND PC BOARD HOLE PATTERN (MOUNTING SIDE)

MATING SIDE



PART No.	CODE No.	A	B	C	D
FX2B-20P-1.27DSL(71)	CL572-0751-8-71	20	30.33	11.43	18.05
FX2B-32P-1.27DSL(71)	CL572-0752-0-71	32	37.95	19.05	25.67
FX2B-40P-1.27DSL(71)	CL572-0753-3-71	40	43.03	24.13	30.75
FX2B-52P-1.27DSL(71)	CL572-0754-6-71	52	50.65	31.75	38.37
FX2B-60P-1.27DSL(71)	CL572-0755-9-71	60	55.73	36.83	43.45
FX2B-68P-1.27DSL(71)	CL572-0756-1-71	68	60.81	41.91	48.53
FX2B-80P-1.27DSL(71)	CL572-0757-4-71	80	68.43	49.53	56.15
FX2B-100P-1.27DSL(71)	CL572-0758-7-71	100	81.13	62.23	68.85

NOTES
 1. STANDOFF DIFFERS ACCORDING TO PRODUCTS.
 2. THE DIMENSIONS IN PARENTHESES ARE FOR REFERENCE.
 3. NUMBER OF PIN.

NO.	PHOSPHOR BRONZE	TIN-PLATING	3~6	PHOSPHOR BRONZE	FINISH, REMARKS	FINISH, REMARKS
1, 2	POLYAMIDE	BLACK	UL94V-0			
7	PHOSPHOR BRONZE	TIN-PLATING	3~6	PHOSPHOR BRONZE		CONTACT AREA: GOLD 0.2μm min DIP AREA: TIN-PLATING 2μm min UNDER PLATING: NICKEL 2μm min

CODE NO. (OLD)	CL	DESIGNED	CHECKED	APPROVED	RELEASED
		I. OKAYAMA	H. OKAWA	H. OKAWA	
		04.06.02	04.06.02	04.06.14	04.06.14

DRAWING NO.	EDC3-082284-21	PART NO.	FX2B-※P-1.27DSL(71)
SCALE	FREE	CODE NO.	CL572
UNITS	mm		



HIROSE ELECTRIC CO., LTD.

TO	
PCK	

X-ON Electronics

Largest Supplier of Electrical and Electronic Components

Click to view similar products for [Board to Board & Mezzanine Connectors](#) category:

Click to view products by [Hirose](#) manufacturer:

Other Similar products are found below :

[589158040000018](#) [MDF7C-18P-2.54DSA\(55\)](#) [FCN-230C068-11](#) [FCN-268F012-G/BD](#) [FCN-268F036-G/BD](#) [FCN-268M012-G/0D](#) [FCN-268M024-G/1D](#) [FCN-723J004/1](#) [MIS-048-01-F-D-DP-K](#) [832-10-034-10-001000](#) [FX4C-80S-1.27DSA](#) [FCN-214Q030-G/0](#) [FCN-234P048-G/0](#) [FCN-235D050-G/C](#) [210-93-314-41-105000](#) [2-22603-0](#) [MDF7-40DP-2.54DSA\(55\)](#) [AXG720047](#) [MIT-114-03-F-D-K](#) [55323-1519](#) [DF33-2P-3.3DSA\(24\)](#) [YFT-20-05-H-03-SB-K](#) [503308-3040](#) [026-6203-PDB](#) [027-6203-PDB](#) [069159702701000](#) [10123981-102LF](#) [101A10019X](#) [55650-0588-C](#) [68682-310LF](#) [68684-306](#) [75140-7012](#) [87471-650](#) [YTW-30-07-H-Q-410-140](#) [FCN-268F024-G0D](#) [10124054-515LF](#) [68685-603](#) [8-1616154-3](#) [MIS-019-01-F-D](#) [FCN-268M024-G/3D](#) [FCN-268M036-G/BD](#) [20021832-06016C1LF](#) [KX15-20KLDL-E1000E](#) [AXE810124](#) [FCN-214J100-G/0](#) [FCN-230C068-E/S](#) [AXE812124](#) [AXE816124](#) [AXE720127](#) [354184](#)